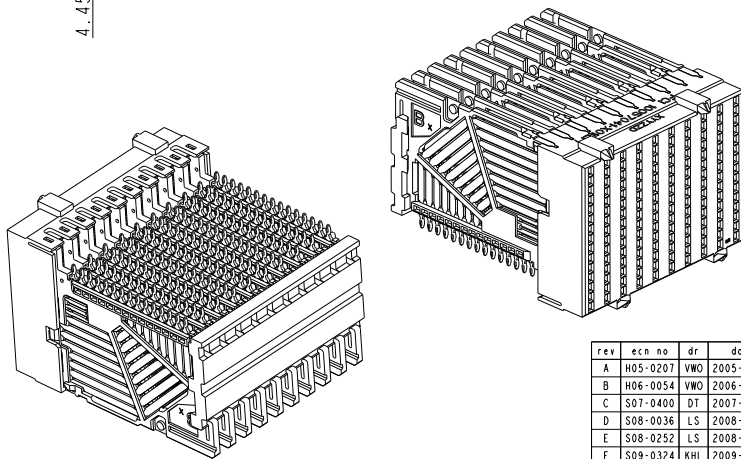
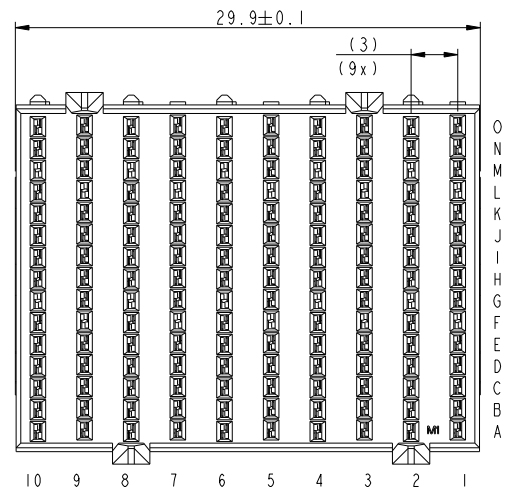
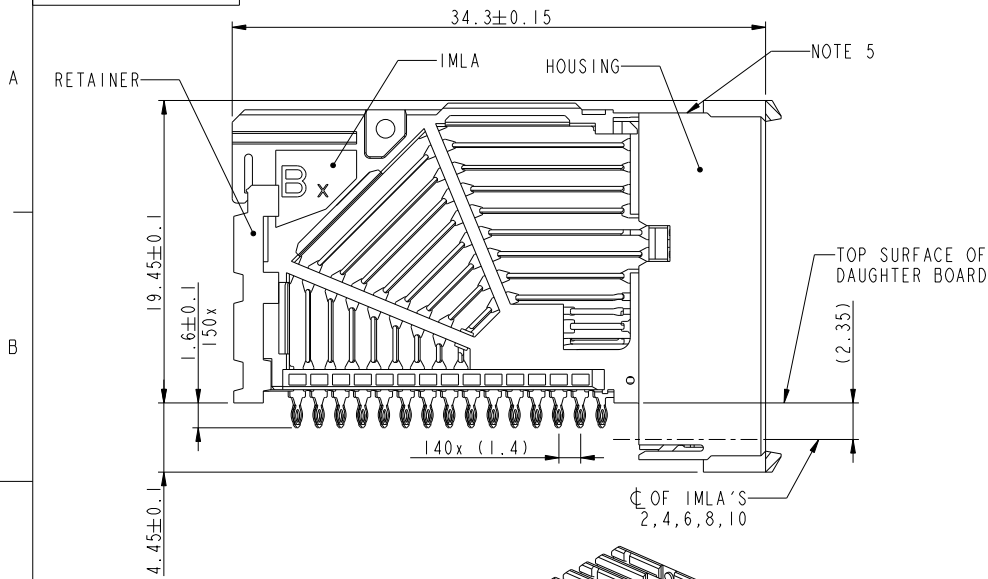


Product-number  
SEE TABLE, SHEET 3



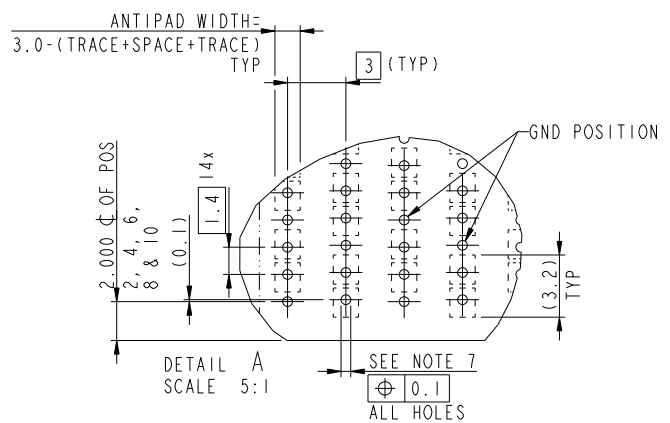
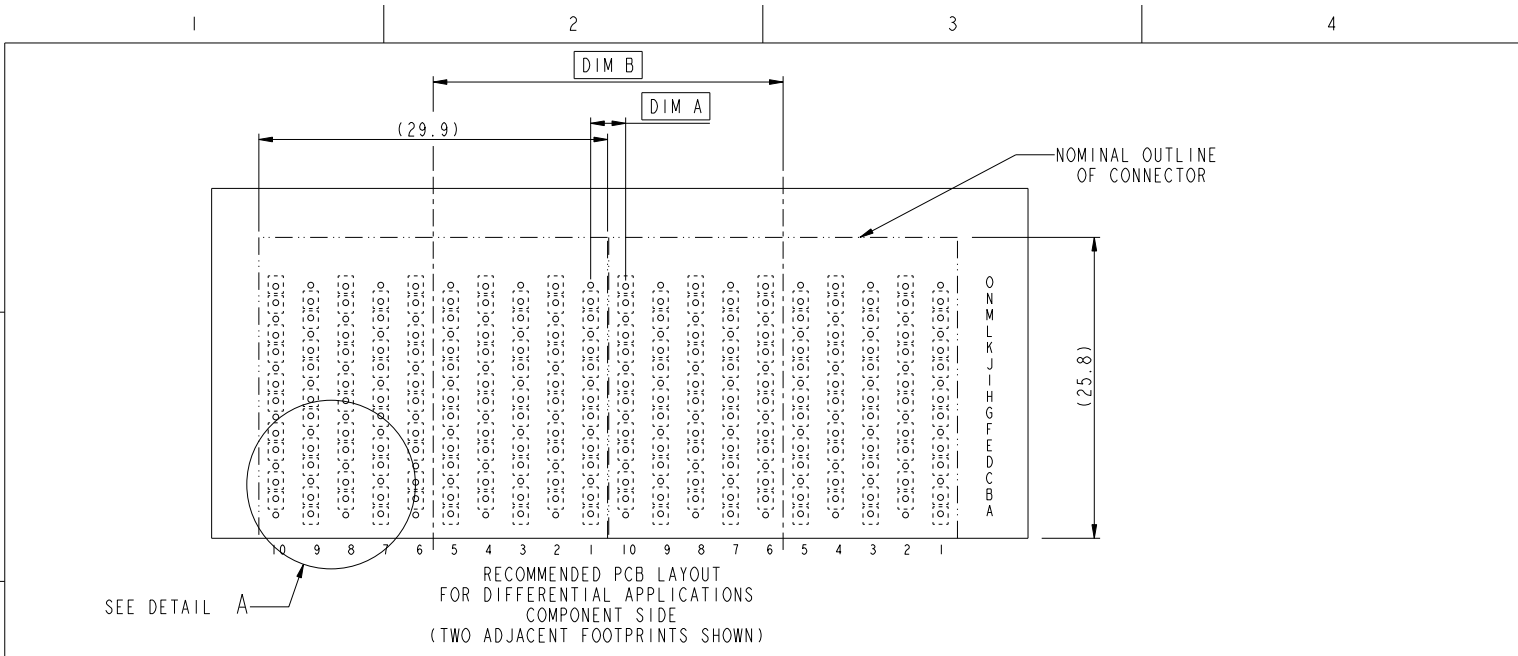
rev	ecn no	dr	date
A	H05-0207	VMO	2005-09-07
B	H06-0054	VMO	2006-04-07
C	S07-0400	DT	2007-12-28
D	S08-0036	LS	2008-02-12
E	S08-0252	LS	2008-07-31
F	S09-0324	KHL	2009-10-20
G	S09-0404	KHL	2009-12-10

www.fciconnect.com		surface - ✓	tolerance std	projection	mm
		ISO 1302	ISO 406 ISO 1101	⊕	←
TOLERANCES UNLESS OTHERWISE SPECIFIED					
Dr	H V WOENSEL	2005-08-16	ANGULAR	0.X ±0.3	size A3
Eng	L S NGWE	2008-07-31	LINEAR	0.XX ±0.10	Scale 4:1
Chr	KH LEE	2009-12-10	0° ±°	0.XXX ±0.050	ECN S09-0404
Appr	JOEY NG	2009-12-10	Product family	-	Spec ref
			<b>title</b> AirMax VS R.A. Recept Ass'y, 5pair, 150pos, 3mm, 101MLA		<b>Rev.</b> G
<b>catalog no</b>			<b>dwg no</b> 10057041		<b>customer</b> sheet 1 of 3

REV F - 2006-04-17

PDM: Rev:G STATUS:Released Printed: Dec 01, 2010

Copyright FCI

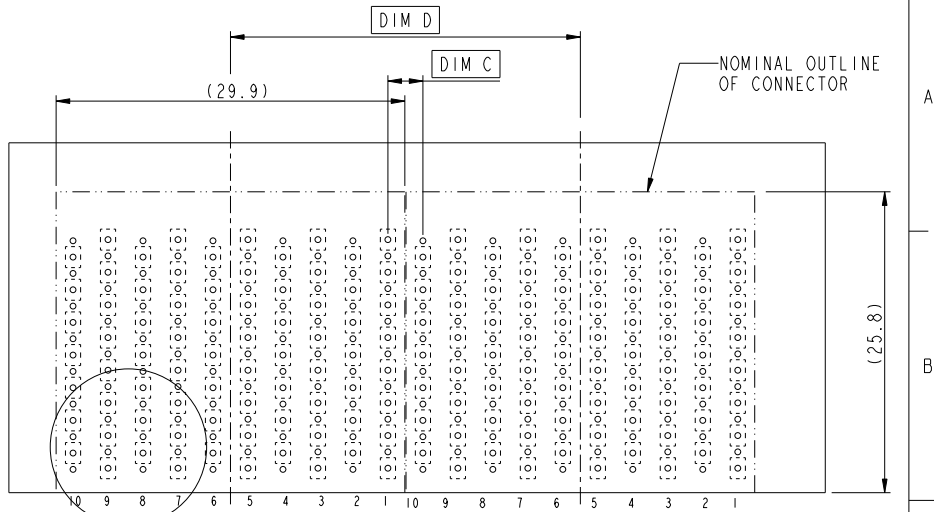
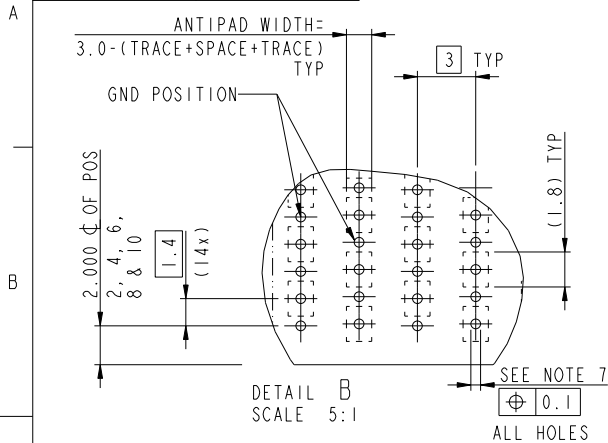


ADJACENT HEADER WIDTH	DIM A	DIM B
30MM / 30MM	3MM	30MM
30MM / 32MM	4MM	31MM
32MM / 32MM	5MM	32MM

	title AirMax VS R.A. Recept Ass'y, 5pair, 150pos, 3mm, 101MLA	dwg no 10057041	Rev. G
	catalog no	CUSTOMER	sheet 2 of 3

REV F - 2006-04-11

PART NUMBER	PRESS FIT TAIL PLATING TYPE
10057041-101	TIN/LEAD ALLOY OVER NICKEL
10057041-101LF	LEAD FREE



NOTES:

- CONNECTOR MATERIALS:  
HOUSING & RETAINER: HIGH TEMP THERMOPLASTIC, NATURAL, UL94V-0  
IMLA PLASTIC: HIGH TEMP PLASTIC, BLACK, UL94V-0  
CONTACT: COPPER ALLOY.
- CONTACT PLATING:  
SEPARABLE INTERFACE: PERFORMANCE BASED PLATING, QUALIFIED TO MEET THE REQUIREMENTS OF FCI PRODUCT SPECIFICATION GS-12-239, INCLUDING TELCORDIA GR-1217-CORE (NOV 1995) CENTRAL OFFICE TEST SEQUENCE.  
PRESS-FIT TAILS: SEE TABLE
- PRODUCT SPECIFICATION: GS-12-239
- APPLICATION SPECIFICATION: GS-20-035
- PRODUCT MARKING, (PARTNUMBER & LOT CODE), ON THIS SURFACE
- THERE IS NO GROUND BUSSING WITHIN THE CONNECTOR SYSTEM.
- SEE CUSTOMER DRAWING 10045979 FOR INFORMATION ON PCB HOLE DIAMETER AND PLATING OPTIONS
- THIS PRODUCT MEETS EUROPEAN UNION DIRECTIVES AND OTHER COUNTRY REGULATIONS AS DESCRIBED IN GS-22-008.
- THE HOUSING WILL WITHSTAND EXPOSURE TO 260 °C PEAK TEMPERATURE FOR 40 SECONDS IN A CONVECTION, INFRA-RED OR VAPOR PHASE REFLOW OVEN.
- PACKAGE MEETS GS-14-920 LEAD FREE LABELLING SPEC.
- A  $\triangle$  SYMBOL WILL BE NEXT TO ANY DIMENSION, VIEW, OR NOTE WHICH HAS BEEN MODIFIED WITH THE CURRENT DRAWING REVISION.

RECOMMENDED PCB LAYOUT FOR SINGLE ENDED APPLICATIONS COMPONENT SIDE (TWO ADJACENT FOOTPRINTS SHOWN)  
SEE DETAIL B

ADJACENT HEADER WIDTH	DIM C	DIM D
30MM/30MM	3MM	30MM
30MM/32MM	4MM	31MM
32MM/32MM	5MM	32MM

	title	AirMax VS R.A. Receipt	dwg no	10057041	Rev.	G
	Ass'y, 5pair, 150pos, 3mm, 101MLA					
	catalog no			CUSTOMER	sheet 3 of 3	