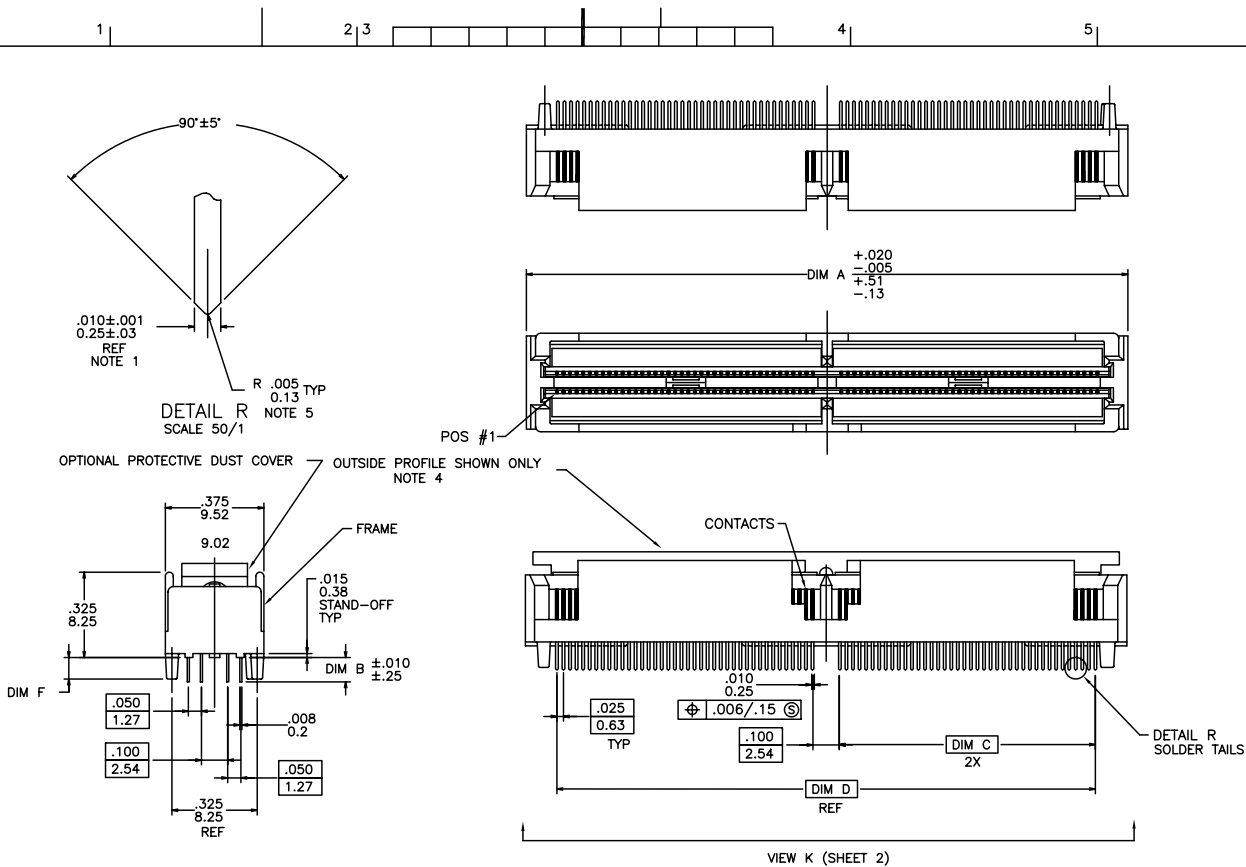


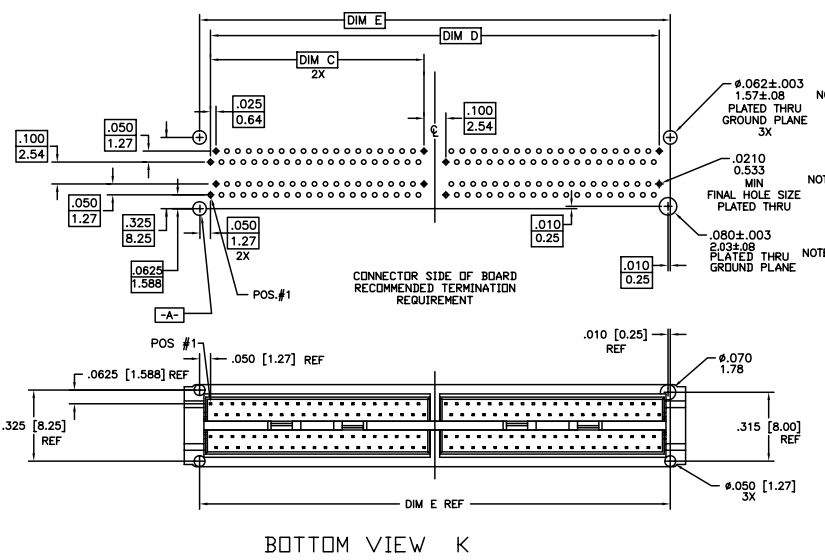
PRODUCT NO.  
SEE TABLE



mat'l. code		surface	tolerance	projection	product family
		ISO 1302	ISO 406	ISO 1101	MICROPAX
ltr	ecn no	dr	date	title	
K	V31907	MRC	11/4/93	MICROPAX .025M VERT.	
L	V32226	MRC	12/22/93	PLUG DOUBLE MODULE	
M	V71417	MAP	10/6/97	scale 1:1	
N	V12555	CRG	11/8/01	FCJ	sheet 1 of 2 size
P	V20402	MEM	3/12/02		89649 A3
R	M06-0222	AGS	6/9/06		type Product Customer Drawing
sheet index		revision	R	R	
1		sheet	1	2	

PRODUCT NO	NO. OF CONTACTS	DIM A	DIM B	DIM C	DIM D	DIM E	DIM F	BOARD THICKNESS	DUST CAP
89649-001	160	2.290/58.17	.092/2.34	.975/24.76	2.050/52.07	2.150/54.61	.082/2.08	.062/1.58	NO
89649-002		.155/3.94					.144/3.66	.125/3.18	

NOTE 3



NOTES:

- ALL BOARD HOLES  $\varnothing .006/.15 \text{ } \textcircled{A} \text{ } \textcircled{B}$
- MATERIALS:  
DIELECTRIC: LCP  
CONTACTS: PHOS BRZ  
FRAME: ZINC ALLOY #3
- PLATING:  
SOLDER TAILS: 150u"/3.81um Sn Pb  
FRAME: 100u"/2.54um Ni  
CONTACT: 30u"/.76um GXT OVER 50u"/1.27um Ni  
  
LEAD FREE PLATING:  
SOLDER TAILS: 150u"/3.81um Sn  
FRAME: 100u"/2.54um Ni  
CONTACT: 30u"/.76um GXT OVER 50u"/1.27um Ni
- ADD "LF" SUFFIX AT THE END OF PART NUMBER FOR LEAD FREE OPTION.
- IF "LF" P/N THE PRODUCT MEETS EUROPEAN UNION DIRECTIVES AND OTHER COUNTRY REGULATION AS DIRECTIVES AND OTHER COUNTRY REGULATION AS
- DO NOT REMOVE OPTIONAL PROCESSING CAP UNTIL SOLDERING IS COMPLETED.
- .002/.05 MAX BURR PERMITTED.

BOTTOM VIEW K

mat'l. code	surface	tolerance	projection	product family	
ISO 1302	ISO 406	ISO 1101	$\varnothing$	MICROPAX	
tr	ecn	no	dr	date	
R					
tolerances unless otherwise specified					
angles	linear	.XX±.01/3	INCH/MM	title	
0°±2'		.XXX±.005/.13	scale 1:1	MICROPAX .025M VERT.	
dr	L.POTTEIGER	4/16/91	<b>FCJ</b>	PLUG DOUBLE MODULE	
enrg	T.LEMKE	4/16/91		dwg no	sheet 2 of 2 size
chr	T.LEMKE	4/16/91		89649	A3
appd	T.LEMKE	4/16/91		type	Product Customer Drawing
sheet index	revision sheet				