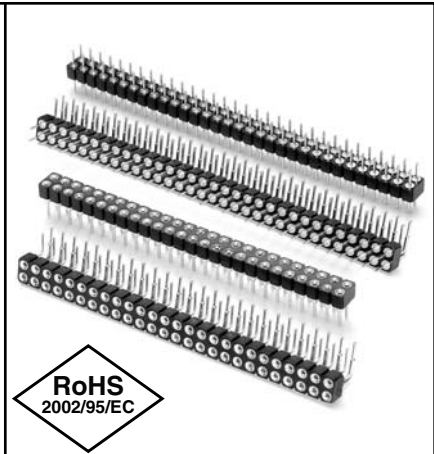
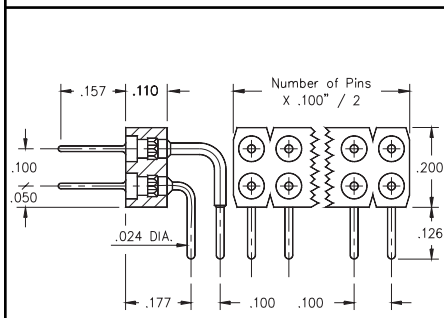


**Fig. 1**

- Series 4XX are available with straight and right angle solder tails.
- Series 450 & 499...009 use MM #3404 and #5011/5113 pins. See pages 179 & 181 for details.
- Series 410 & 499...003 use MM #1001 and #1103/1602 receptacles. See pages 136, 137 & 138 for details.
- Receptacles use Hi-Rel, 4 finger #30 BeCu contact rated at 3 amps. See page 218 for details.
- Insulators are high temp. thermoplastic.



**Ordering Information**



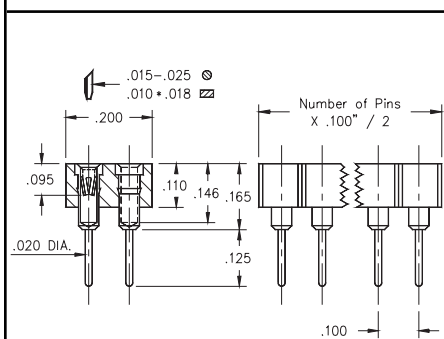
**Fig. 2**

**Fig. 1**

<b>Series 450...006</b>	<b>Straight Pin Header</b>
450-XX-2__-00-006000	
Specify # of pins	└───> 02-64

**Fig. 2**

<b>Series 499...009</b>	<b>Right Angle Pin Header</b>
499-10-2__-10-009000	
Specify # of pins	└───> 02-64



**Fig. 3**

For Electrical, Mechanical & Environmental Data, See pg. 4

**XX=Plating Code See Below**

For RoHS compliance select ◇ plating code.

SPECIFY PLATING CODE XX=	10◇	90	40◇	
Pin Plating	10μ" Au	200μ" Sn/Pb	200μ" Sn	

**Fig. 3**

<b>Series 410...001</b>	<b>Straight Socket</b>
410-XX-2__-41-001000	
Specify # of pins	└───> 02-64

**Fig. 4**

<b>Series 499...003</b>	<b>Right Angle Socket</b>
499-XX-2__-10-003000	
Specify # of pins	└───> 02-64

For Electrical, Mechanical & Environmental Data, See pg. 4

**XX=Plating Code See Below**

For RoHS compliance select ◇ plating code.

SPECIFY PLATING CODE XX=	13◇				43◇
Sleeve (Pin)	10μ" Au				200μ" Sn
Contact (Clip)	30μ" Au				30μ" Au