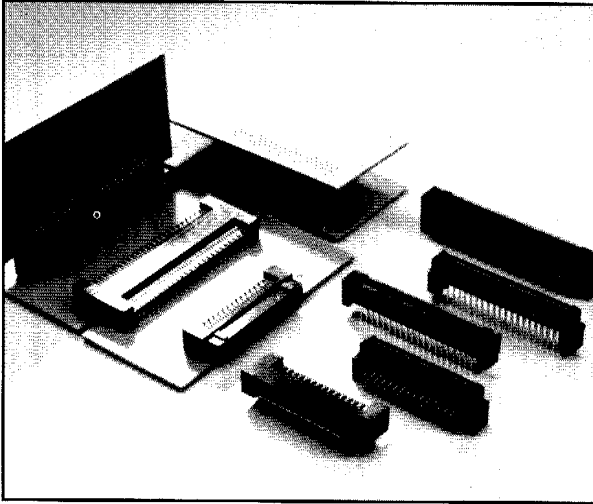


TX24/25 SERIES CONNECTORS

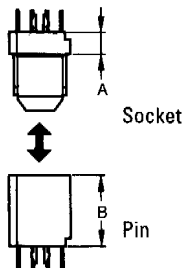
1.27mm (.050") Contact Spacing, PCB-to-PCB Connectors



FEATURES

- Non-pin type contacts withstand mating/unmating twisting forces
- Available for seven parallel board-to-board distances
- Polarizing key for easy insertion
- "Click action" connection
- Prevents solder flux contamination
- Easy PCB pattern

(Note: 1) Stacking Heights:
Straight types are available with three insulator heights. For parallel board-to-board connection, stacking heights can be selected within the range of 12 to 24mm (0.472 to 0.945") in 2mm (0.079") intervals, depending on socket and pin combinations.



• Insulator Height

Stacking Height Code		6	8	10	12
Socket	A	2.8 (.110)	—	6.8 (.268)	8.8 (.346)
Pin	B	9.2 (.362)	11.2 (.441)	—	15.2 (.598)

• Stacking Height

		Socket			
Pin	Stacking Height Code	6	10	12	
	6	12 (.472)	16 (.630)	18 (.709)	
	8	14 (.551)	18 (.709)	20 (.787)	
	12	18 (.709)	22 (.866)	24 (.945)	

The TX24/25 Series of connectors are designed for PCB-to-PCB applications. Combinations of straight and right angle through hole pin and socket connectors permit horizontal, parallel and vertical interconnection of boards. For straight through hole connectors, the distance for parallel board-to-board connections ranges from 12 to 24mm (0.472 to 0.945") in 2mm (0.079") intervals. A long electrical engagement length results in a highly reliable and stable connection. Non-pin type contacts withstand mating and unmating twisting forces and an excellent "click action" design assures a true connection. The stable housing with polarizing keys is suitable for rack and panel applications.

GENERAL SPECIFICATIONS

Number of Contacts	30, 40, 50, 60, 80, 100
Contact Spacing	1.27mm (.050") pitch, 2 rows
PCB Mounting Side Pattern	1.27 x 1.905mm (.050 x .075"), staggered 4 rows
Current Rating	1 Amp
Dielectric Withstanding Voltage	500 VAC r.m.s. (for one minute)
Insulation Resistance	100 megohms min.
Contact Resistance	40 milliohms max.
Operating Temperature	-40°C to +80°C
PCB Thickness	1.6mm (0.063")

MATERIALS AND FINISHES

Description	Materials/Finishes
Insulator	Glass-filled PBT (UL94V-0, Black)
Hook Pin	Copper Alloy/Tin Plating
Contact	Copper Alloy Connection area: Gold plating, 0.1µm (.000004") min. over Nickel Terminal area: Tin plating

ORDERING INFORMATION

Series	TX ** - ** * - ** ** - * 1
TX24/TX25	
No. of Contacts	30, 40, 50, 60, 80, 100
Connector Type	R - Socket P - Pin
Stacking Height Code (See Table)	
Termination Style	ST - Straight Through Hole LT - Right-Angle Through Hole
Hook Pins	H - With Hook Pins N - Without Hook Pins
Contact Finish	1 - Connecting Area: Gold plating 0.1µm (.000004") over Nickel

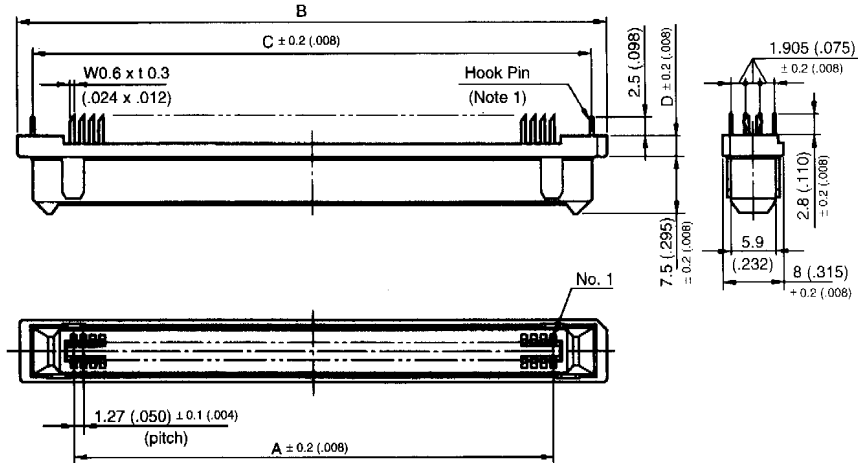
Dimensions and specifications subject to change without notice.

TX24/25 SERIES CONNECTORS

1.27mm (.050") Contact Spacing, PCB-to-PCB Connectors

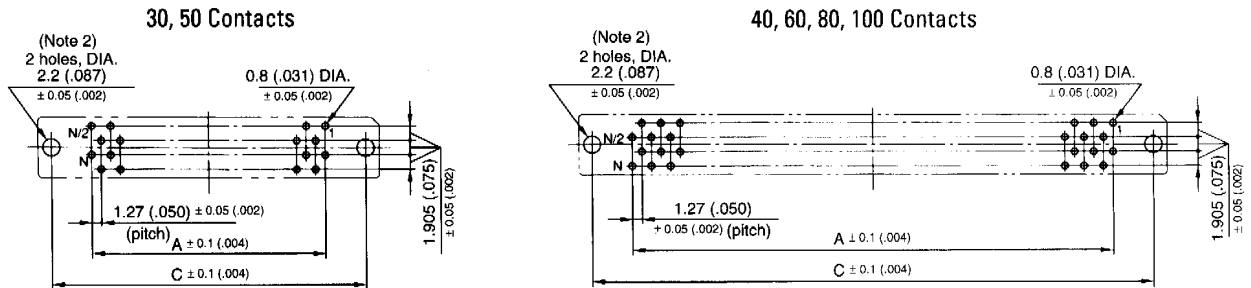
TX24 SOCKET • STRAIGHT THROUGH HOLE

- With Hook Pin: TX24-**-R-□ST-H1
- Without Hook Pin: TX24-**-R-□ST-N1



Note 1: Shown with hook pins.

Applicable PCB Layout (Ref.)



Note 2: Holes on both sides not required for connectors without hook pins.

No. of Contacts	Part Number		A	B ± 0.4 (± .016)	C
	With Hook Pin	Without Hook Pin			
30	TX24- 30R-□ST-H1	TX24- 30R-□ST-N1	17.78 (.700)	31.7 (1.248)	27.94 (1.100)
40	TX24- 40R-□ST-H1	TX24- 40R-□ST-N1	24.13 (.950)	38 (1.496)	34.29 (1.350)
50	TX24- 50R-□ST-H1	TX24- 50R-□ST-N1	30.48 (1.200)	44.4 (1.748)	40.64 (1.600)
60	TX24- 60R-□ST-H1	TX24- 60R-□ST-N1	36.83 (1.450)	50.7 (1.996)	46.99 (1.850)
80	TX24- 80R-□ST-H1	TX24- 80R-□ST-N1	49.53 (1.950)	63.4 (2.496)	59.69 (2.350)
100	TX24-100R-□ST-H1	TX24-100R-□ST-N1	62.23 (2.450)	76.1 (2.996)	72.39 (2.850)

Note: □ indicates stacking height code. Add applicable stacking height code to part number from table below.

Mark (□)	6	10	12
Dimension D	2.8 (.110)	6.8 (.268)	8.8 (.346)

Dimensions in mm (inches).

Hong Kong Tel: 2723-7782 Fax: 2723-9028	Japan 03-3780-2715 03-3780-2883	Korea 2-551-8959 2-551-8958	Philippines 46-433-0276 46-433-0287	Singapore 748-1332 748-2920	Taiwan 02-555-9711 02-556-5424	Europe 1276-21717 1276-66165	United States 949-753-2600 949-753-2699
-----------------------------------------------	---------------------------------------	-----------------------------------	-------------------------------------------	-----------------------------------	--------------------------------------	------------------------------------	-----------------------------------------------

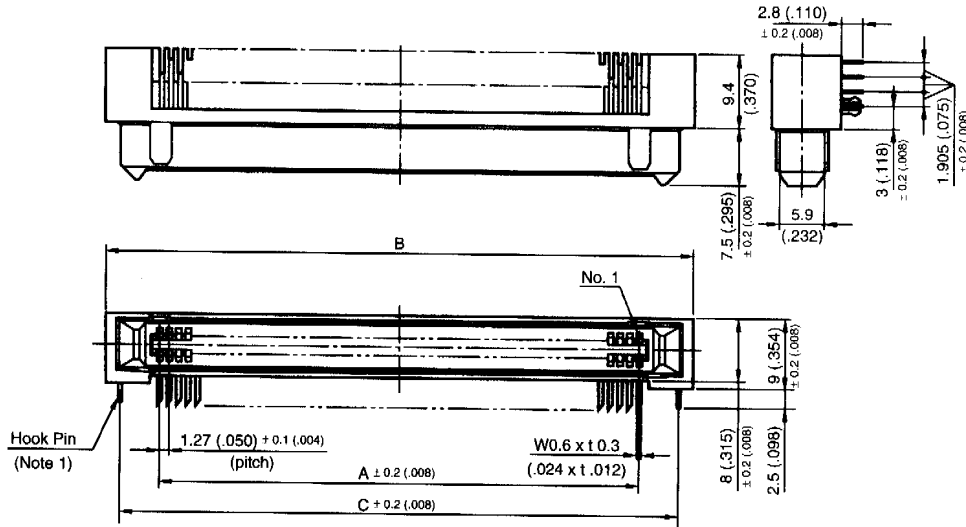


TX24/25 SERIES CONNECTORS

1.27mm (.050") Contact Spacing, PCB-to-PCB Connectors

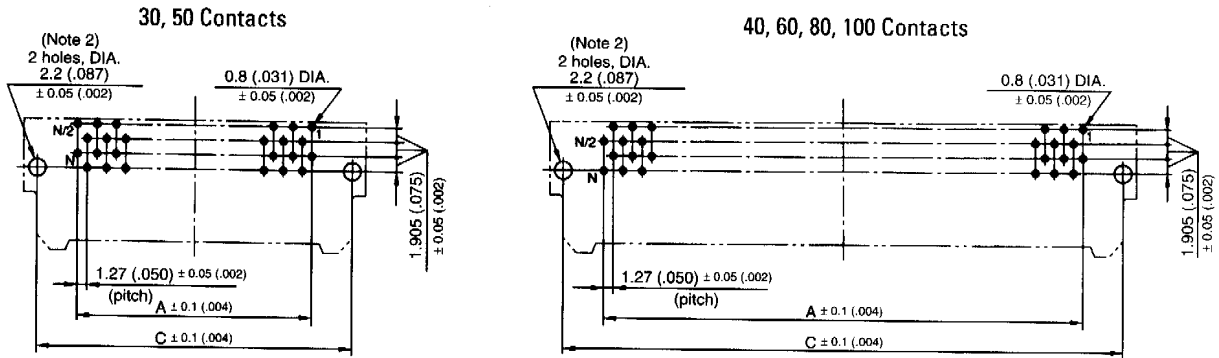
TX24 SOCKET • RIGHT-ANGLE THROUGH HOLE

- With Hook Pin: TX24-**R-LT-H1
- Without Hook Pin: TX24-**R-LT-N1



Note 1: Shown with hook pins.

Applicable PCB Layout (Ref.)



Note 2: Holes on both sides not required for connectors without hook pins.

No. of Contacts	Part Number		A	B ± 0.4 (± .016)	C
	With Hook Pin	Without Hook Pin			
30	TX24- 30R-LT-H1	TX24- 30R-LT-N1	17.78 (.700)	31.7 (1.248)	27.94 (1.100)
40	TX24- 40R-LT-H1	TX24- 40R-LT-N1	24.13 (.950)	38 (1.496)	34.29 (1.350)
50	TX24- 50R-LT-H1	TX24- 50R-LT-N1	30.48 (1.200)	44.4 (1.748)	40.64 (1.600)
60	TX24- 60R-LT-H1	TX24- 60R-LT-N1	36.83 (1.450)	50.7 (1.996)	46.99 (1.850)
80	TX24- 80R-LT-H1	TX24- 80R-LT-N1	49.53 (1.950)	63.4 (2.496)	59.69 (2.350)
100	TX24-100R-LT-H1	TX24-100R-LT-N1	62.23 (2.450)	76.1 (2.996)	72.39 (2.850)

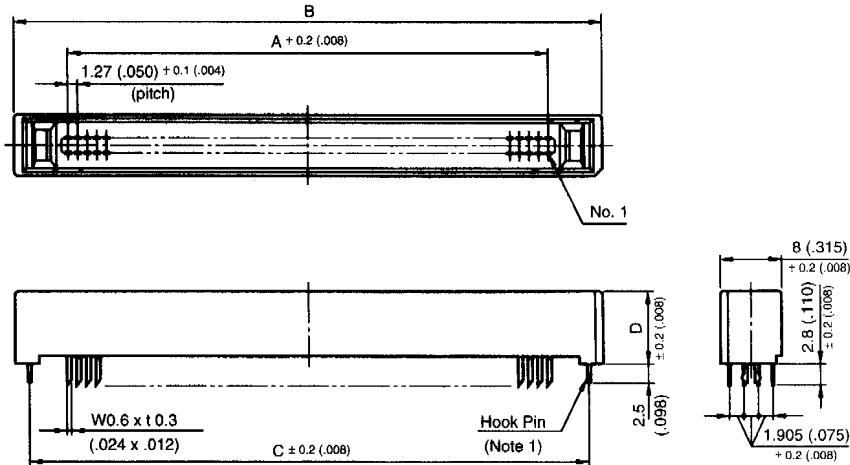
Dimensions in mm (inches).

TX24/25 SERIES CONNECTORS

1.27mm (.050") Contact Spacing, PCB-to-PCB Connectors

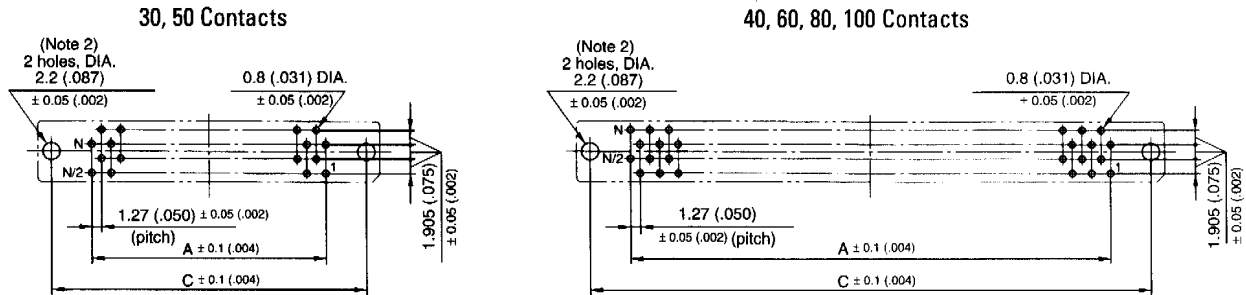
TX25 PIN • STRAIGHT THROUGH HOLE

- With Hook Pin: TX25-**P-□ST-H1
- Without Hook Pin: TX25-**P-□ST-N1



Note 1: Shown with hook pins.

Applicable PCB Layout (Ref.)



Note 2: Holes on both sides not required for connectors without hook pins.

No. of Contacts	Part Number		A	B ± 0.4 (± .016)	C
	With Hook Pin	Without Hook Pin			
30	TX25- 30P-□ST-H1	TX25- 30P-□ST-N1	17.78 (.700)	31.7 (1.248)	27.94 (1.100)
40	TX25- 40P-□ST-H1	TX25- 40P-□ST-N1	24.13 (.950)	38 (1.496)	34.29 (1.350)
50	TX25- 50P-□ST-H1	TX25- 50P-□ST-N1	30.48 (1.200)	44.4 (1.748)	40.64 (1.600)
60	TX25- 60P-□ST-H1	TX25- 60P-□ST-N1	36.83 (1.450)	50.7 (1.996)	46.99 (1.850)
80	TX25- 80P-□ST-H1	TX25- 80P-□ST-N1	49.53 (1.950)	63.4 (2.496)	59.69 (2.350)
100	TX25- 100P-□ST-H1	TX25- 100P-□ST-N1	62.23 (2.450)	76.1 (2.996)	72.39 (2.850)

Note: □ indicates stacking height code. Add applicable stacking height code to part number from table below.

Mark (□)	6	8	12
Dimension	9.2 (.362)	11.2 (.441)	15.2 (.598)

Dimensions in mm (inches).

Hong Kong Tel: 2723-7782 Fax: 2723-9028
 Japan 03-3780-2715 03-3780-2883
 Korea 2-551-8959 2-551-8958
 Philippines 46-433-0276 46-433-0287
 Singapore 748-1332 748-2920
 Taiwan 02-555-9711 02-556-5424
 Europe 1276-21717 1276-66165
 United States 949-753-2600 949-753-2699

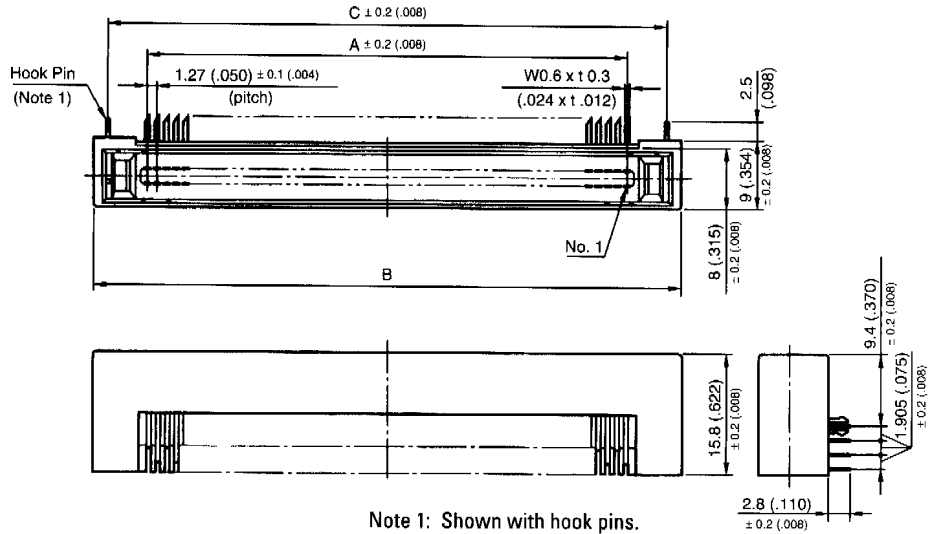


TX24/25 SERIES CONNECTORS

1.27mm (.050") Contact Spacing, PCB-to-PCB Connectors

TX25 PIN • RIGHT-ANGLE THROUGH HOLE

- With Hook Pin: TX25-**P-LT-H1
- Without Hook Pin: TX25-**P-LT-N1

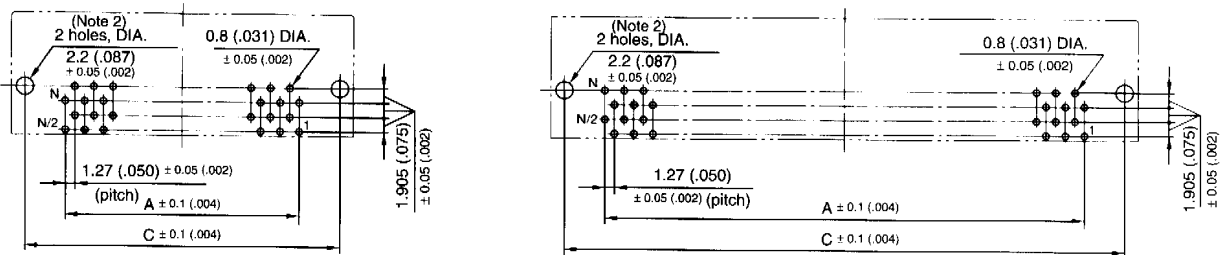


Note 1: Shown with hook pins.

Applicable PCB Layout (Ref.)

30, 50 Contacts

40, 60, 80, 100 Contacts



Note 2: Holes on both sides not required for connectors without hook pins.

No. of Contacts	Part Number		A	B ± 0.4 (± .016)	C
	With Hook Pin	Without Hook Pin			
30	TX25- 30P-LT-H1	TX25- 30P-LT-N1	17.78 (.700)	31.7 (1.248)	27.94 (1.100)
40	TX25- 40P-LT-H1	TX25- 40P-LT-N1	24.13 (.950)	38 (1.496)	34.29 (1.350)
50	TX25- 50P-LT-H1	TX25- 50P-LT-N1	30.48 (1.200)	44.4 (1.748)	40.64 (1.600)
60	TX25- 60P-LT-H1	TX25- 60P-LT-N1	36.83 (1.450)	50.7 (1.996)	46.99 (1.850)
80	TX25- 80P-LT-H1	TX25- 80P-LT-N1	49.53 (1.950)	63.4 (2.496)	59.69 (2.350)
100	TX25-100P-LT-H1	TX25-100P-LT-N1	62.23 (2.450)	76.1 (2.996)	72.39 (2.850)

Dimensions in mm (inches).



Hong Kong
Tel: 2723-7782
Fax: 2723-9028

Japan
03-3780-2715
03-3780-2883

Korea
2-551-8959
2-551-8958

Philippines
46-433-0276
46-433-0287

Singapore
748-1332
748-2920

Taiwan
02-555-9711
02-556-5424

Europe
1276-21717
1276-66165

United States
949-753-2600
949-753-2699