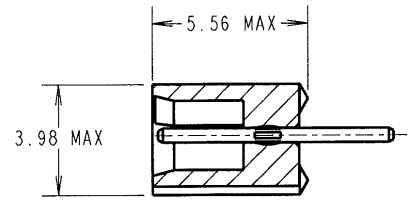
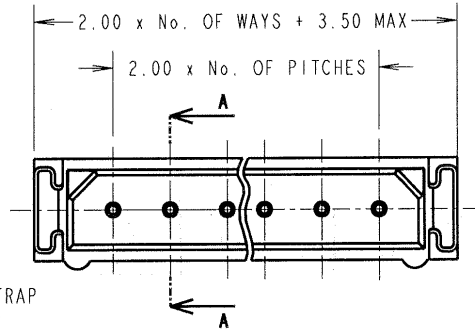
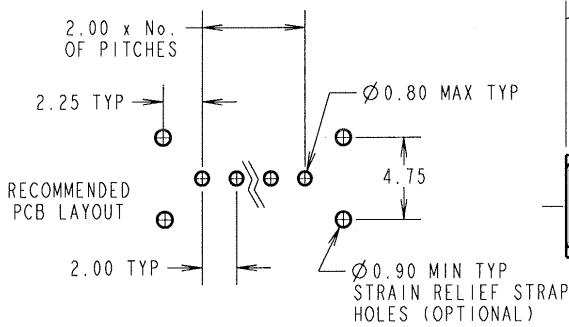


Customer Information Sheet

DRAWING No.: M80-852XXXX SHEET 2 OF 2 IF IN DOUBT - ASK (C) NOT TO SCALE THIRD ANGLE PROJECTION ALL DIMENSIONS IN mm



SECTION A-A

SPECIFICATIONS:

MATERIAL:
 MOULDING = POLYAMIDE 46 UL94V-0, BLACK
 CONTACTS = PHOSPHOR BRONZE

FINISH:
 CONTACTS:
 42 = 0.75µ GOLD ON CONTACT AREA.
 3.0µ 100% TIN ON TAILS
 45 = 0.75µ GOLD

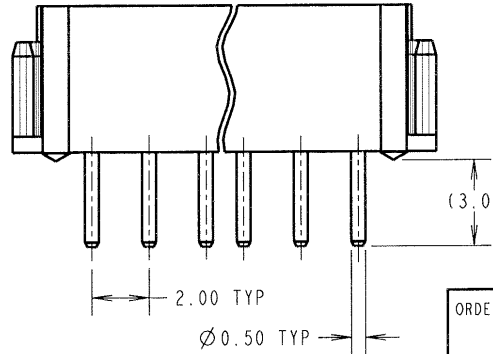
ELECTRICAL:
 CURRENT RATING (25°C) = 3.0A MAX.
 CURRENT RATING (85°C) = 2.2A MAX.
 WORKING VOLTAGE = 120V AC/DC
 VOLTAGE PROOF = 360V AC/DC
 CONTACT RESISTANCE (INITIAL) = 20 mΩ MAX.
 CONTACT RESISTANCE (AFTER CONDITIONING) = 25 mΩ MAX.
 INSULATION RESISTANCE (INITIAL) = 1000 MΩ MIN.
 INSULATION RESISTANCE (AFTER CONDITIONING) = 100 MΩ MIN.

MECHANICAL:
 DURABILITY = 500 OPERATIONS

ENVIRONMENTAL:
 TEMPERATURE RANGE = -55°C TO +125°C

PACKING:
 TUBE

FOR COMPLETE SPECIFICATION,
 SEE COMPONENT SPECIFICATION C005XX (LATEST ISSUE)



NOTES:

1. 2-OFF STRAIN RELIEF STRAPS M80-0030006 MAY BE USED WITH THIS CONNECTOR.

ORDER CODE: **M80-852XXXX**

TOTAL No. OF WAYS: _____
 02 - 07, 17, 22.

FINISH: _____
 42 = SELECTIVE GOLD + 100% TIN
 45 = GOLD

JMB	4	22.07.05	8633
NAME	ISS.	DATE	C/NOTE
APPROVED: _____			
CHECKED: _____			
DRAWN: I. SANDY			
CUSTOMER REF.:			
ASSEMBLY DRG:			

HARWIN

HARWIN INC U.S.A. TEL: (812) 542 2540 FAX: (812) 542 2541	HARWIN PLC U.K. TEL: 023 9231 4545 FAX: 023 9231 4590	HARWIN PTE SINGAPORE TEL: 65 6779 4909 FAX: 65 6779 3868
--	--	---

THIS DRAWING AND ANY INFORMATION OR DESCRIPTIVE WATER SET OUT HEREON ARE CONFIDENTIAL AND COPYRIGHT PROPERTY OF THE HARWIN GROUP AND MUST NOT BE DISCLOSED, LOANED, COPIED OR USED FOR MANUFACTURING, TENDERING OR FOR ANY OTHER PURPOSE WITHOUT THEIR WRITTEN PERMISSION.

TOLERANCES
 X. = ±1mm
 X.X = ±0.25mm
 X.XX = ±0.10mm
 X.XXX = ±0.01mm
 ANGLES = ±5°
 UNLESS STATED

MATERIAL: SEE ABOVE

FINISH: SEE ABOVE

S/AREA: mm²

TITLE: DATAMATE SIL VERTICAL PC TAIL PLUG ASSEMBLY (RoHS)

DRAWING NUMBER: M80-852XXXX

SHT 2 OF 2