

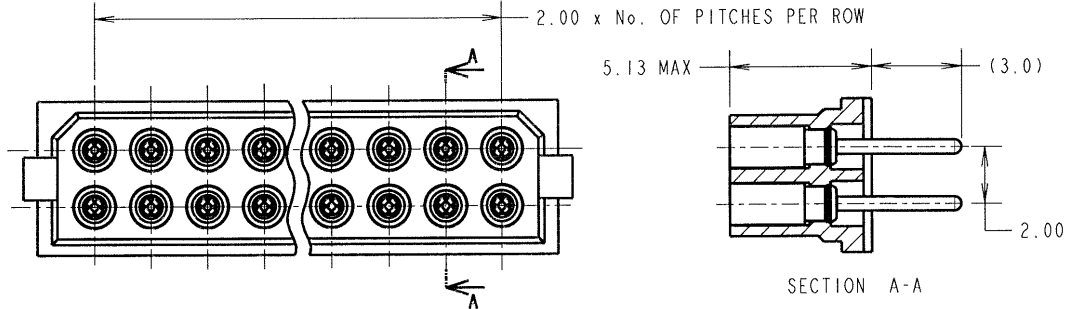
# Customer Information Sheet

DRAWING No.: M80-850XXX SHEET 2 OF 2 IF IN DOUBT - ASK (C) NOT TO SCALE THIRD ANGLE PROJECTION ALL DIMENSIONS IN mm

ORDER CODE:  
**M80-850XXX**

TOTAL No. OF WAYS: \_\_\_\_\_  
04, 06, 08, 10, 12, 14, 16,  
18, 20, 26, 34, 44

FINISH: \_\_\_\_\_  
45 = GOLD SHELL, GOLD CLIP  
42 = 100% TIN SHELL, GOLD CLIP



**SPECIFICATIONS:**

**MATERIAL:**  
MOULDING = POLYAMIDE 46 UL94V-0, BLACK  
CONTACTS = BERYLLIUM COPPER

**FINISH:**  
CONTACTS:  
45 = 0.30µ GOLD CLIP, 0.28µ GOLD SHELL  
42 = 0.30µ GOLD CLIP, 4.0µ 100% TIN SHELL

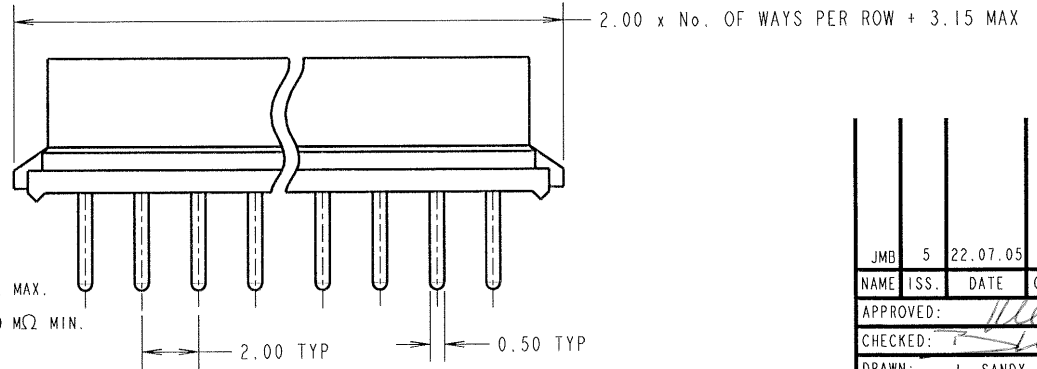
**ELECTRICAL:**  
CURRENT RATING (25°C) = 3.0A MAX.  
CURRENT RATING (85°C) = 2.2A MAX.  
WORKING VOLTAGE = 120V AC/DC  
VOLTAGE PROOF = 360V AC/DC  
CONTACT RESISTANCE (INITIAL) = 20 mΩ MAX.  
CONTACT RESISTANCE (AFTER CONDITIONING) = 25 mΩ MAX.  
INSULATION RESISTANCE (INITIAL) = 1000 MΩ MIN.  
INSULATION RESISTANCE (AFTER CONDITIONING) = 100 MΩ MIN.

**MECHANICAL:**  
DURABILITY = 500 OPERATIONS

**ENVIRONMENTAL:**  
TEMPERATURE RANGE = -55°C TO +125°C

**PACKING:**  
TUBE

FOR COMPLETE SPECIFICATION, SEE COMPONENT SPECIFICATION C005XX (LATEST ISSUE)



NOTES:  
1. RECOMMENDED HOLE SIZE =  $\varnothing$ 0.80mm.

JMB	5	22.07.05	8633
NAME	ISS.	DATE	C/NOTE
APPROVED: <i>[Signature]</i>			
CHECKED: <i>[Signature]</i>			
DRAWN: I. SANDY			
CUSTOMER REF.:			
ASSEMBLY DRG:			

**HARWIN**

HARWIN INC U.S.A. TEL: (812) 542 2540 FAX: (812) 542 2541	HARWIN PLC U.K. TEL: 023 9231 4545 FAX: 023 9231 4590	HARWIN PTE SINGAPORE TEL: 65 6779 4909 FAX: 65 6779 3868
--	--	---

THIS DRAWING AND ANY INFORMATION OR DESCRIPTIVE MATTER SET OUT HEREON ARE CONFIDENTIAL AND COPYRIGHT PROPERTY OF THE HARWIN GROUP AND MUST NOT BE DISCLOSED, LOANED, COPIED OR USED FOR MANUFACTURING, TENDERING OR FOR ANY OTHER PURPOSE WITHOUT THEIR WRITTEN PERMISSION.

**TOLERANCES**  
X. =  $\pm$ 1mm  
X.X =  $\pm$ 0.25mm  
X.XX =  $\pm$ 0.10mm  
X.XXX =  $\pm$ 0.01mm  
ANGLES =  $\pm$ 5°  
UNLESS STATED

**MATERIAL:**  
SEE ABOVE

**FINISH:** SEE ABOVE

**S/AREA:** mm<sup>2</sup>

**TITLE:** DATAMATE DIL VERTICAL PC TAIL SOCKET ASSEMBLY (RoHS)

**DRAWING NUMBER:** M80-850XXX

SHT  
2  
OF  
2