

# Customer Information Sheet

DRAWING No.: M50-300XX45

SHEET 3 OF 3

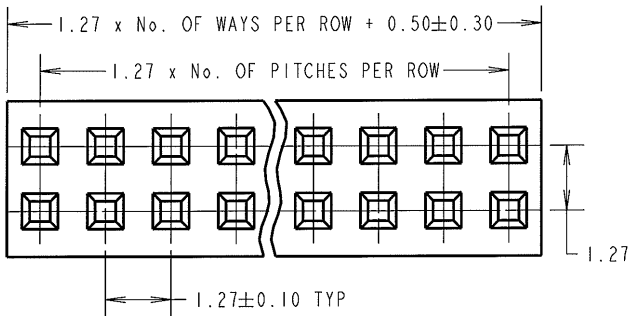
IF IN DOUBT - ASK

©

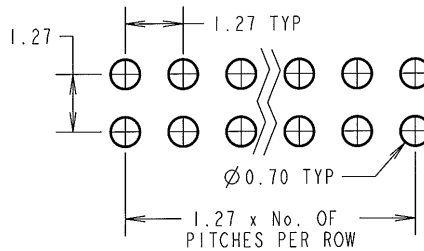
NOT TO SCALE

THIRD ANGLE PROJECTION

ALL DIMENSIONS IN mm



RECOMMENDED PCB LAYOUT ± 0.05



SPECIFICATIONS:

MATERIAL:  
 MOULDING = HIGH TEMP THERMOPLASTIC  
 UL94V-0, BLACK  
 CONTACT = PHOSPHOR BRONZE

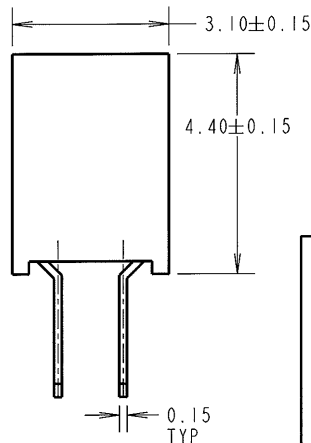
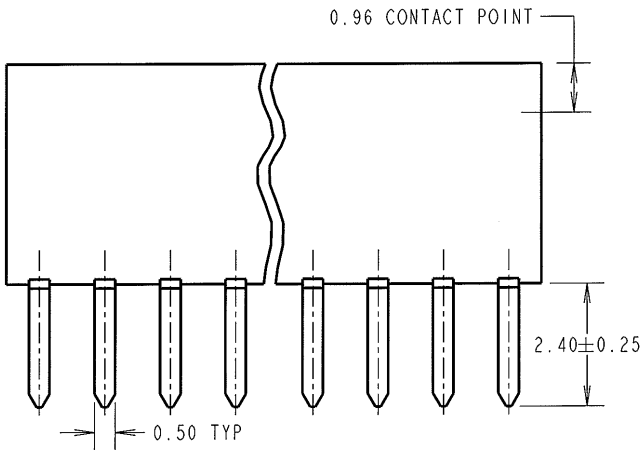
FINISH:  
 45 = GOLD OVER NICKEL

ELECTRICAL:  
 CURRENT RATING = 1A  
 VOLTAGE PROOF = 500V AC/DC  
 CONTACT RESISTANCE = 30 MILLIOHMS MAX  
 INSULATION RESISTANCE = 5,000 MEGOHMS MIN

ENVIRONMENTAL:  
 OPERATING TEMPERATURE = -55°C TO +105°C

PACKING:  
 TUBE

FOR COMPLETE SPECIFICATION, SEE COMPONENT SPECIFICATION C029XX (LATEST ISSUE)



NOTES:  
 1. ALL TOLERANCES ARE ± 0.20 UNLESS OTHERWISE STATED

ORDER CODE:  
**M50-300XX45**

No. OF WAYS PER ROW  
 03 TO 50

FINISH:  
 45 = GOLD

SF	10	21.07.08	10102
NAME	ISS.	DATE	C/NOTE
APPROVED: <i>[Signature]</i>			
CHECKED: <i>[Signature]</i>			
DRAWN: W. J. BOURNE			
CUSTOMER REF.:			
ASSEMBLY DRG:			

**HARWIN**

HARWIN USA  
 TEL: 603 893 5376  
 FAX: 603 893 5396  
 mis@harwin.com

HARWIN Europe (UK)  
 TEL: 023 9231 4545  
 FAX: 023 9231 4590  
 mis@harwin.co.uk

HARWIN Asia  
 TEL: +65 6 779 4909  
 FAX: +65 6 779 3868  
 mis@harwin.com.sg

THIS DRAWING AND ANY INFORMATION OR DESCRIPTIVE MATTER SET OUT HEREON ARE CONFIDENTIAL AND COPYRIGHT PROPERTY OF THE HARWIN GROUP AND MUST NOT BE DISCLOSED, LOANED, COPIED OR USED FOR MANUFACTURING, TENDERING OR FOR ANY OTHER PURPOSE WITHOUT THEIR WRITTEN PERMISSION.

TOLERANCES  
 X = ± 1mm  
 X.X = ± 0.25mm  
 X.XX = ± 0.10mm  
 X.XXX = ± 0.01mm  
 ANGLES = ± 5°  
 UNLESS STATED

MATERIAL:  
 SEE ABOVE

FINISH:  
 SEE ABOVE

S/AREA:  
 mm<sup>2</sup>

TITLE:  
 1.27mm PITCH DIL VERTICAL SOCKET ASSY

DRAWING NUMBER:  
**M50-300XX45**

SHT  
 3 OF 3