

# Customer Information Sheet

DRAWING No.: M20-788XXXX SHEET 2 OF 2 IF IN DOUBT - ASK (C) NOT TO SCALE THIRD ANGLE PROJECTION ALL DIMENSIONS IN mm

**SPECIFICATION:**

**MATERIAL:**  
 MOULDING = NYLON 6T UL94V-0, BLACK  
 CONTACTS = PHOSPHOR BRONZE

**FINISH:**  
 42 = GOLD ON CONTACT AREA, 100% TIN ON TAILS  
 46 = 100% TIN

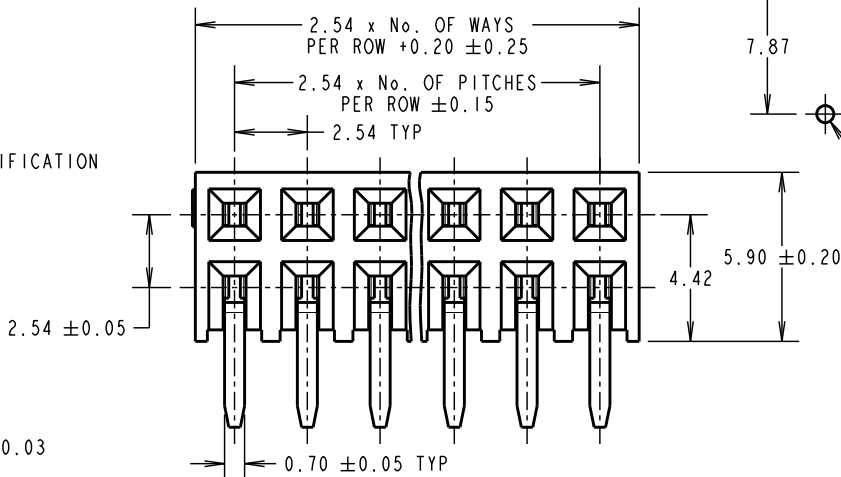
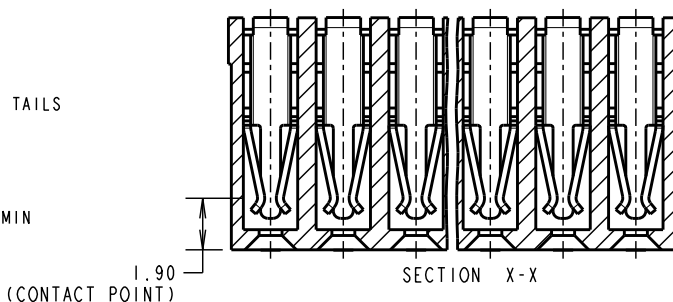
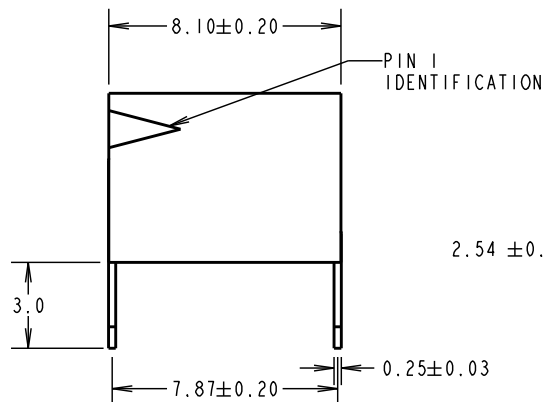
**ELECTRICAL:**  
 CURRENT RATING = 1A  
 VOLTAGE PROOF = 500V AC/DC  
 CONTACT RESISTANCE = 20 MILLIOHMS MAX  
 INSULATION RESISTANCE = 1,000 MEGOHMS MIN

**ENVIRONMENTAL:**  
 TEMPERATURE RANGE = -40° TO +105°

**MECHANICAL:**  
 INSERTION FORCE = 5N MAX  
 WITHDRAWAL FORCE = 0.2N MIN  
 DURABILITY = 50 OPERATIONS

**PACKING:**  
 TUBE

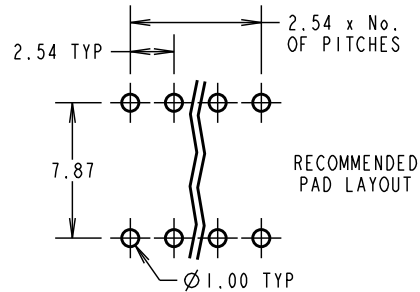
FOR COMPLETE SPECIFICATION SEE COMPONENT SPECIFICATION C001XX (LATEST ISSUE)



ORDER CODE: **M20-788XXXX**

No. OF WAYS PER ROW: \_\_\_\_\_  
 02 TO 40

FINISH: \_\_\_\_\_  
 42 = SELECTIVE GOLD + 100% TIN  
 46 = 100% TIN



SM	9	27.07.10	10883
NAME	ISS.	DATE	C/NOTE
APPROVED: S. MCCULLAGH			
CHECKED: M. G. PLESTED			
DRAWN: J. EVANS			
CUSTOMER REF.:			
ASSEMBLY DRG:			

**HARWIN**

HARWIN USA  
 TEL: 603 893 5376  
 FAX: 603 893 5396  
 mis@harwin.com

HARWIN Europe (UK)  
 TEL: 023 9231 4545  
 FAX: 023 9231 4590  
 mis@harwin.co.uk

HARWIN Asia  
 TEL: +65 6 779 4909  
 FAX: +65 6 779 3868  
 mis@harwin.com.sg

THIS DRAWING AND ANY INFORMATION OR DESCRIPTIVE MATTER SET OUT HEREON ARE CONFIDENTIAL AND COPYRIGHT PROPERTY OF THE HARWIN GROUP AND MUST NOT BE DISCLOSED, LOANED, COPIED OR USED FOR MANUFACTURING, TENDERING OR FOR ANY OTHER PURPOSE WITHOUT THEIR WRITTEN PERMISSION.

**TOLERANCES**  
 X. = ±1mm  
 X.X = ±0.25mm  
 X.XX = ±0.10mm  
 X.XXX = ±0.01mm  
 ANGLES = ±5°  
 UNLESS STATED

**MATERIAL:**  
 SEE ABOVE

**FINISH:**  
 SEE ABOVE

**S/AREA:**  
 mm<sup>2</sup>

**TITLE:**  
 2.54mm PITCH DIL PC TAIL  
 HORIZONTAL SOCKET ASSEMBLY

**DRAWING NUMBER:**  
**M20-788XXXX**

SHT 2 OF 2