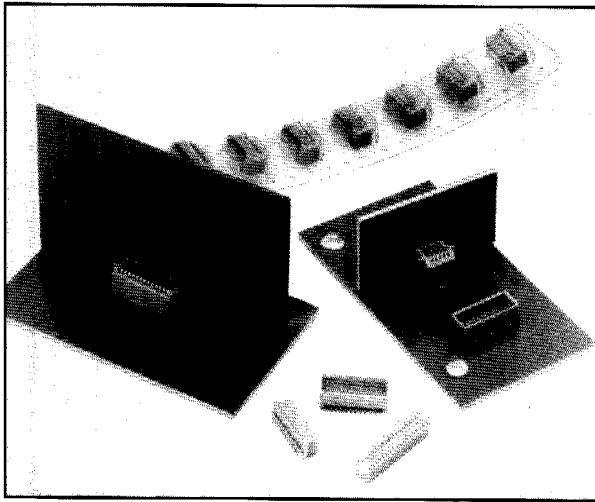


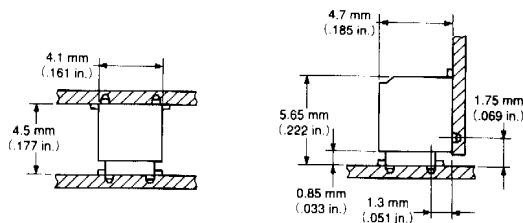
# IL-WX SERIES CONNECTORS

0.8mm (.031") Contact Spacing, PCB-to-PCB SMT Connectors

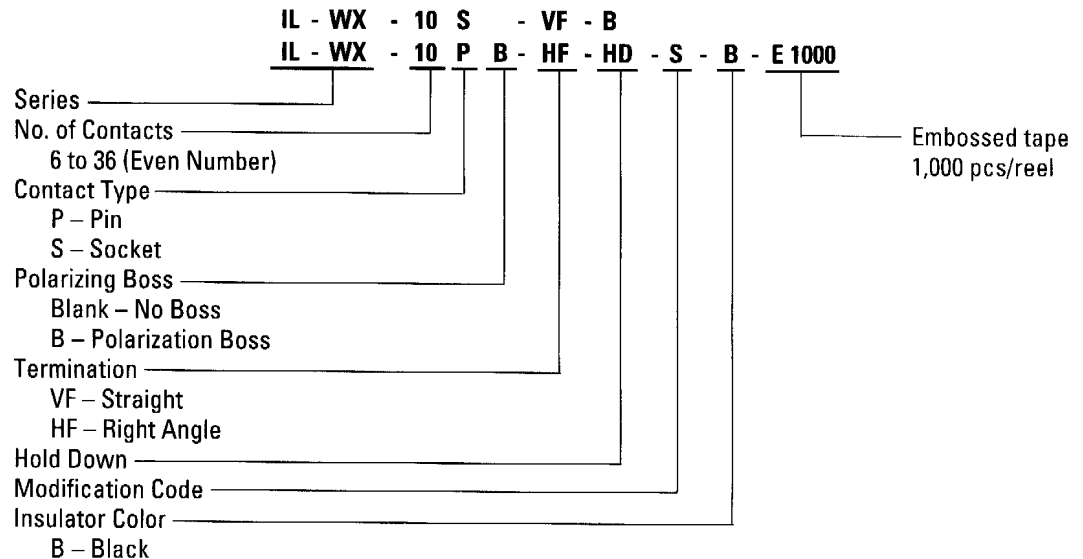


## FEATURES

- Low profile, high-density contact arrangement
- Vertical and parallel connection of boards
- High heat resistant glass-filled PPS insulator
- Polarization boss/hold-downs
- Embossed tape: Available in embossed tape for automatic SMT mounting. Please consult JAE for further information



## ORDERING INFORMATION



IL-WX Series connectors are designed for board-to-board applications. Designed with extremely small spacing, centers are on 0.8mm (.031") with double row contact arrangement. The connector features SMT contact configuration for automatic mounting. It is intended for use in portable appliances where size reduction is important. Applications include video cameras and OA equipment.

## GENERAL SPECIFICATIONS

Number of Contacts	6 to 36 (even numbers only)
Contact Spacing	0.8mm (.031"), double row
Current Rating	0.5 Amps.
Dielectric Withstanding Voltage	500 VAC r.m.s. (for one minute)
Insulation Resistance	100 megohms min.
Contact Resistance	25 milliohms max.
Operating Temperature Range	-40°C to +85°C

## MATERIALS AND FINISHES

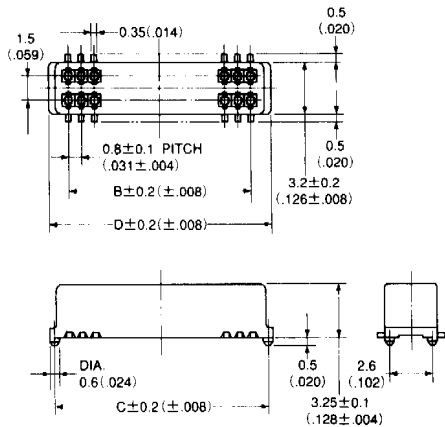
Description	Materials/Finishes
Insulator	Glass-filled PPS (UL94V-0, Black)
Pin Contact	Copper alloy/Tin Plating
Socket Contact	Phosphor Bronze/Tin Plating
Hold-down	Phosphor Bronze/Tin Plating

Dimensions and specifications subject to change without notice.

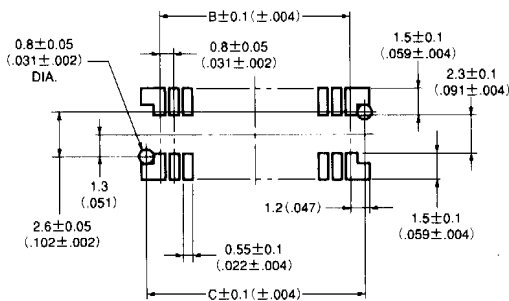
# IL-WX SERIES CONNECTORS

## 0.8mm (.031") Contact Spacing, PCB-to-PCB SMT Connectors

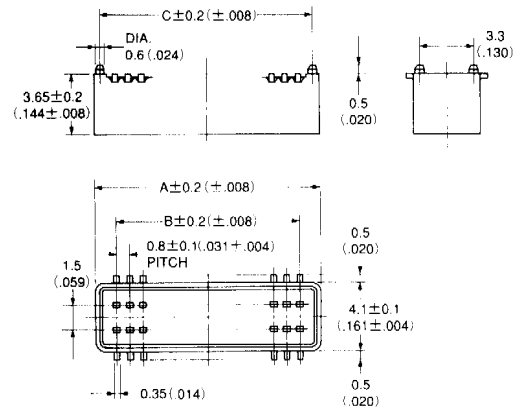
### SOCKET



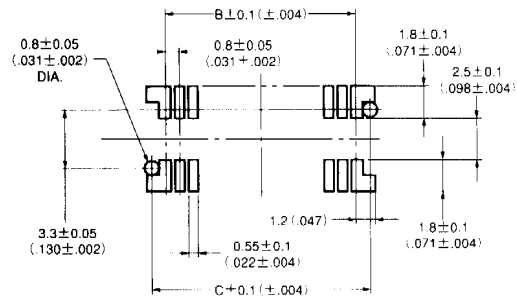
PCB Layout (Ref.)



### STRAIGHT PIN HEADER



PCB Layout (Ref.)



No. of Contacts	Part Number		A	B	C	D
	Socket	Straight Pin Header				
6	IL-WX- 6S*-VF-B	IL-WX- 6PB-VF-B	4.2 (.165)	1.6 (.063)	3.4 (.134)	4.0 (.157)
8	IL-WX- 8S*-VF-B	IL-WX- 8PB-VF-B	5.0 (.197)	2.4 (.094)	4.2 (.165)	4.8 (.189)
10	IL-WX- 10S*-VF-B	† IL-WX- 10PB-VF-B	5.8 (.228)	3.2 (.126)	5.0 (.197)	5.6 (.220)
12	IL-WX- 12S*-VF-B	IL-WX- 12PB-VF-B	6.6 (.260)	4.0 (.157)	5.8 (.228)	6.4 (.252)
14	IL-WX- 14S*-VF-B	IL-WX- 14PB-VF-B	7.4 (.291)	4.8 (.189)	6.6 (.260)	7.2 (.283)
16	IL-WX- 16S*-VF-B	IL-WX- 16PB-VF-B	8.2 (.323)	5.6 (.220)	7.4 (.291)	8.0 (.315)
18	IL-WX- 18S*-VF-B	IL-WX- 18PB-VF-B	9.0 (.354)	6.4 (.252)	8.2 (.323)	8.8 (.346)
20	IL-WX- 20S*-VF-B	† IL-WX- 20PB-VF-B	9.8 (.386)	7.2 (.283)	9.0 (.354)	9.6 (.378)
22	IL-WX- 22S*-VF-B	IL-WX- 22PB-VF-B	10.6 (.417)	8.0 (.315)	9.8 (.386)	10.4 (.409)
24	IL-WX- 24S*-VF-B	IL-WX- 24PB-VF-B	11.4 (.449)	8.8 (.346)	10.6 (.417)	11.2 (.441)
26	† IL-WX- 26S*-VF-B	† IL-WX- 26PB-VF-B	12.2 (.480)	9.6 (.378)	11.4 (.449)	12.0 (.472)
28	† IL-WX- 28S*-VF-B	† IL-WX- 28PB-VF-B	13.0 (.512)	10.4 (.409)	12.2 (.480)	12.8 (.504)
30	IL-WX- 30S*-VF-B	IL-WX- 30PB-VF-B	13.8 (.543)	11.2 (.441)	13.0 (.512)	13.6 (.535)
32	† IL-WX- 32S*-VF-B	IL-WX- 32PB-VF-B	14.6 (.575)	12.0 (.472)	13.8 (.543)	14.4 (.567)
34	IL-WX- 34S*-VF-B	IL-WX- 34PB-VF-B	15.4 (.606)	12.8 (.504)	14.6 (.575)	15.2 (.598)
36	IL-WX- 36S*-VF-B	IL-WX- 36PB-VF-B	16.2 (.638)	13.6 (.535)	15.4 (.606)	16.0 (.630)

Note 1: \* Add the polarization boss code. B—With boss, Blank—No boss

Note 2: Supplied in embossed-tape (Connector 1,000pcs./one reel). Add "-E1000" at the end of Part Number for an order entry.

Example - IL-WX-10PB-VF-B-E1000 †: Please consult JAE for emboss-tape availability.

Dimensions in mm (inches).

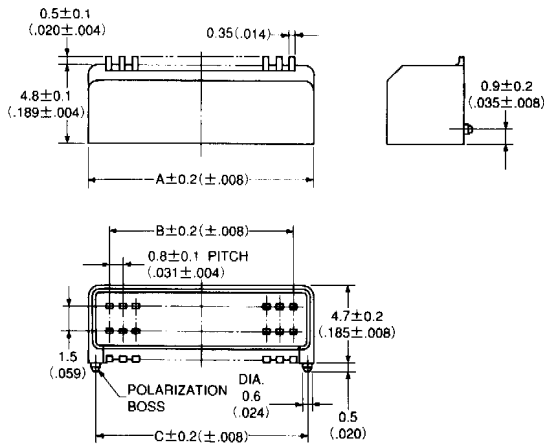
Hong Kong	Japan	Korea	Philippines	Singapore	Taiwan	Europe	United States
Tel: 2723-7782	03-3780-2715	2-551-8959	46-433-0276	748-1332	02-555-9711	1276-21717	949-753-2600
Fax: 2723-9028	03-3780-2883	2-551-8958	46-433-0287	748-2920	02-556-5424	1276-66165	949-753-2699



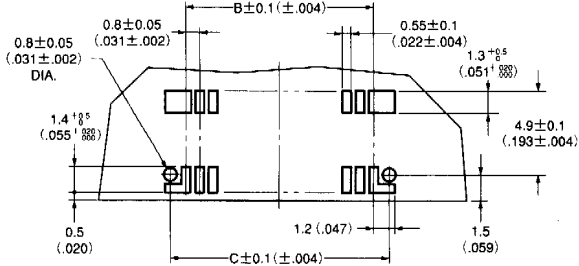
# IL-WX SERIES CONNECTORS

0.8mm (.031") Contact Spacing, PCB-to-PCB SMT Connectors

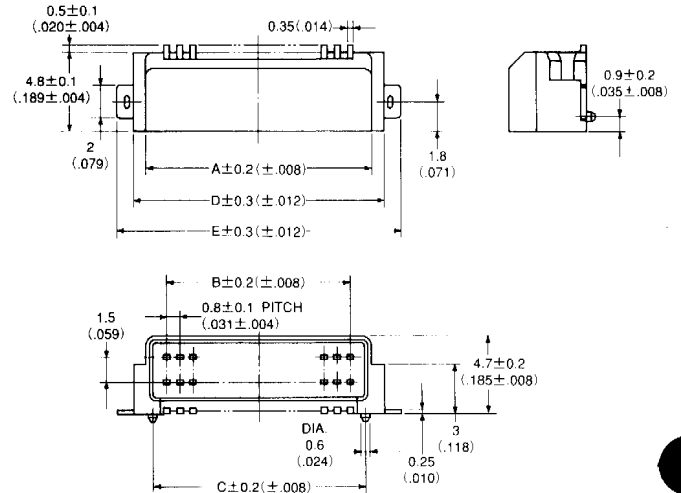
## RIGHT ANGLE PIN HEADER



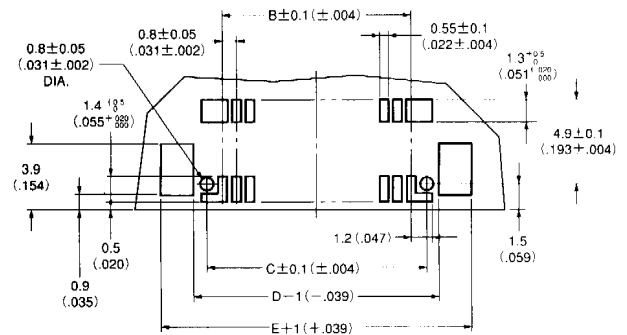
PCB Layout (Ref.)



## With Hold-Downs Type



PCB Layout (Ref.)



No. of Contacts	Part Number		A	B	C	D	E
	Without Hold-Down	With Hold-Down					
6	IL-WX- 6P*-HF-B	IL-WX- 6P*-HF-HD-S-B	4.2 (.165)	1.6 (.063)	3.4 (.134)	5.7 (.224)	7.8 (.307)
8	IL-WX- 8P*-HF-B	IL-WX- 8P*-HF-HD-S-B	5.0 (.197)	2.4 (.094)	4.2 (.165)	6.5 (.256)	8.6 (.339)
10	IL-WX- 10P*-HF-B	IL-WX- 10P*-HF-HD-S-B	5.8 (.228)	3.2 (.126)	5.0 (.197)	7.3 (.287)	9.4 (.370)
12	† IL-WX- 12P*-HF-B	IL-WX- 12P*-HF-HD-S-B	6.6 (.260)	4.0 (.157)	5.8 (.228)	8.1 (.319)	10.2 (.402)
14	IL-WX- 14P*-HF-B	IL-WX- 14P*-HF-HD-S-B	7.4 (.291)	4.8 (.189)	6.6 (.260)	8.9 (.350)	11.0 (.433)
16	IL-WX- 16P*-HF-B	† IL-WX- 16P*-HF-HD-S-B	8.2 (.323)	5.6 (.220)	7.4 (.291)	9.7 (.382)	11.8 (.465)
18	IL-WX- 18P*-HF-B	† IL-WX- 18P*-HF-HD-S-B	9.0 (.354)	6.4 (.252)	8.2 (.323)	10.5 (.413)	12.6 (.496)
20	IL-WX- 20P*-HF-B	IL-WX- 20P*-HF-HD-S-B	9.8 (.386)	7.2 (.283)	9.0 (.354)	11.3 (.445)	13.4 (.528)
22	IL-WX- 22P*-HF-B	IL-WX- 22P*-HF-HD-S-B	10.6 (.417)	8.0 (.315)	9.8 (.386)	12.1 (.476)	14.2 (.559)
24	IL-WX- 24P*-HF-B	IL-WX- 24P*-HF-HD-S-B	11.4 (.449)	8.8 (.346)	10.6 (.417)	12.9 (.508)	15.0 (.591)
26	† IL-WX- 26P*-HF-B	† IL-WX- 26P*-HF-HD-S-B	12.2 (.480)	9.6 (.378)	11.4 (.449)	13.7 (.539)	15.8 (.622)
28	† IL-WX- 28P*-HF-B	† IL-WX- 28P*-HF-HD-S-B	13.0 (.512)	10.4 (.409)	12.2 (.480)	14.5 (.571)	16.6 (.654)
30	† IL-WX- 30P*-HF-B	IL-WX- 30P*-HF-HD-S-B	13.8 (.543)	11.2 (.441)	13.0 (.512)	15.3 (.602)	17.4 (.685)
32	† IL-WX- 32P*-HF-B	† IL-WX- 32P*-HF-HD-S-B	14.6 (.575)	12.0 (.472)	13.8 (.543)	16.1 (.634)	18.2 (.717)
34	IL-WX- 34P*-HF-B	IL-WX- 34P*-HF-HD-S-B	15.4 (.606)	12.8 (.504)	14.6 (.575)	16.9 (.665)	19.0 (.748)
36	IL-WX- 36P*-HF-B	† IL-WX- 36P*-HF-HD-S-B	16.2 (.638)	13.6 (.535)	15.4 (.606)	17.7 (.697)	19.8 (.780)

Note 1: \* Add the polarizing boss code. B—With boss, Blank—No boss

Note 2: Supplied in embossed-tape (Connector 1,000pcs/one reel). Add "-E1000" at the end of Part Number for an order entry.

Example - IL-WX-10PB-HF-B-E1000 †: Please consult JAE for emboss-tape availability.

Dimensions in mm (inches).



Hong Kong  
Tel: 2723-7782  
Fax: 2723-9028

Japan  
03-3780-2715  
03-3780-2883

Korea  
2-551-8959  
2-551-8958

Philippines  
46-433-0276  
46-433-0287

Singapore  
748-1332  
748-2920

Taiwan  
02-555-9711  
02-556-5424

Europe  
1276-21717  
1276-66165

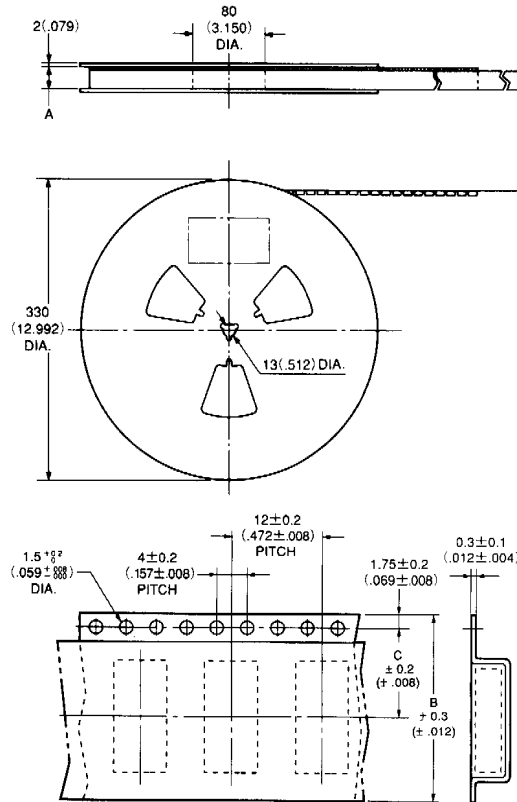
United States  
949-753-2600  
949-753-2699

# IL-WX SERIES CONNECTORS

0.8mm (.031") Contact Spacing, PCB-to-PCB SMT Connectors

## EMBOSSED TAPE (REF.)

Please consult JAE for embossed tape specification.



Part Number (1,000 pcs./reel)	No. of Contacts	A	B	C
IL-WX-*S*-VF-B-E1000 IL-WX-*P*-VF-B-E1000 IL-WX-*P*-HF-B-E1000	6 to 20	18 (.709)	16 (.630)	7.5 (.295)
	22 to 36	26 (1.042)	24 (.945)	11.5 (.453)
IL-WX-*P*-HF-HD-S-B-E1000	6 to 12	18 (.709)	16 (.630)	7.5 (.295)
	14 to 32	26 (1.042)	24 (.945)	11.5 (.453)
	34, 36 (Note)	34 (1.339)	32 (1.260)	14.2 (.559)

Note: Pilot holes are provided on both sides. Please consult JAE.

Dimensions in mm (inches).