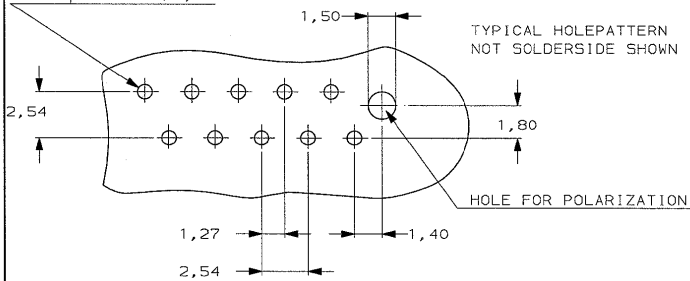


4-10 positions  $\varnothing 0,8$   
12-24 positions  $\varnothing 0,85$

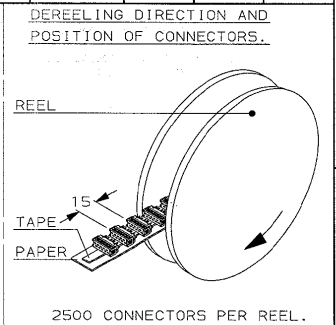
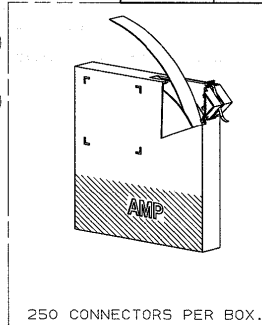


DO NOT SCALE  
DIMENSIONS IN mm

METRIC



PARTNUMBER	PARTNUMBER	NUMBER OF POSITIONS	DIMENSION		
			"A" MAX.	"B" MAX.	"C"
7-215570-4	0-215570-4	4	8,6	5,4	3,81
7-215570-6	0-215570-6	6	11,1	8,0	6,35
7-215570-8	0-215570-8	8	13,6	10,5	8,89
8-215570-0	1-215570-0	10	16,2	13,0	11,43
8-215570-2	1-215570-2	12	18,7	15,6	13,97
8-215570-4	1-215570-4	14	21,3	18,1	16,51
8-215570-6	1-215570-6	16	23,8	20,7	19,05
8-215570-8	1-215570-8	18	26,3	23,2	21,59
9-215570-0	2-215570-0	20	28,9	25,7	24,13
9-215570-4	2-215570-4	24	34,0	30,8	29,21



DESCRIPTION	MATERIAL	ITEM
MALE HOUSING	GLASS FILLED POLYESTER (RED)	3
MALE CONTACT	PH.BR. PLATING: TIN-LEAD 93-7	2
COVER	GLASS FILLED POLYESTER (RED)	1

DR.	DATE	CHK.	DATE	APP.	DATE	REV.	DATE	DESCRIPTION
D. KESSLER	-	H. SPELDE	07-11-01	H. SPELDE	07-11-01			

CUSTOMER DRAWING FOR REFERENCE ONLY WILL NOT BE UPDATED  
 © COPYRIGHT 19- BY AMP HOLLAND B.V.  
 ALL INTERNATIONAL RIGHTS RESERVED. AMP PRODUCTS MAY BE COVERED BY U.S. AND FOREIGN AND/OR PATENTS PENDING.  
 THIS DRAWING IS UNPUBLISHED  
 RELEASED FOR PUBLICATION 19-

**tyco**  
**Electronics**  
 TYCO ELECTRONICS NEDERLAND B.V.  
 '8-HERTOGENBOSCH, THE NETHERLANDS

NAME: Micro-Match  
 PADDLE BOARD CONNECTOR

DRG. No. C-215570  
 REV. LTR. N  
 SHEET 1 OF 1  
 A3