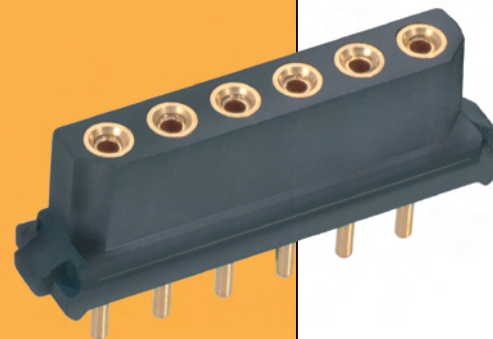


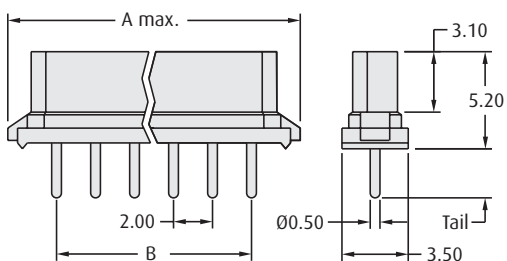
Datamate Connectors

Female Vertical PC Tail

- ❖ Polarised mouldings.
- ❖ For British Standard versions see pages 14 to 15.
- ❖ Dummy contacts for additional polarisation use order code **M80-023**.
- ❖ Mates with male connectors on pages 21 to 25.

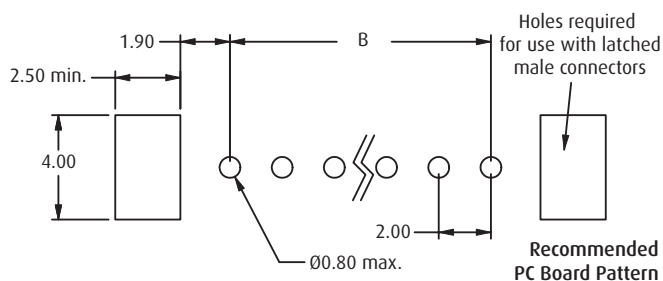


SINGLE ROW

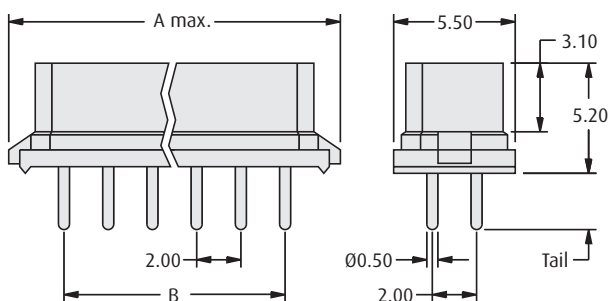


CALCULATION

A	$B + 5.15$
B	$(\text{Total No. of contacts} - 1) \times 2$

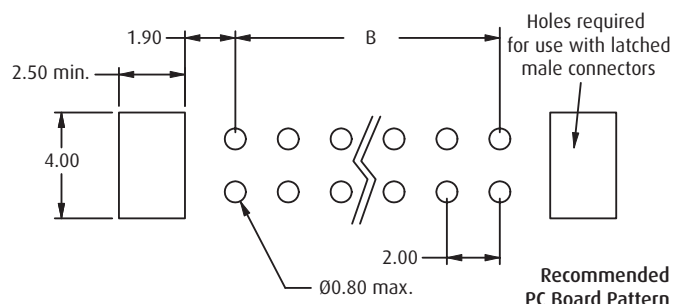


DOUBLE ROW



CALCULATION

A	$B + 5.15$
B	$\text{Total No. of contacts} - 2$



HOW TO ORDER

M80 - XXX XX XX

SERIES CODE

RoHS	Pb	Non-RoHS	Pb	
840	897			Single row (3mm tail)
850	887			Double row (3mm tail)
790	790			Single row (4.5mm tail)
770	770			Double row (4.5mm tail)

FINISH

01	Gold + Tin/Lead	Pb
05	Gold	Pb
42	Gold + Tin	Pb
45	Gold	Pb

TOTAL NO. OF CONTACTS

Single Row	02 to 07, 17, 22
Double Row	04, 06, 08, 10, 12, 14, 16, 18, 20, 26, 34, 44

All dimensions in mm.

www.harwin.com

