

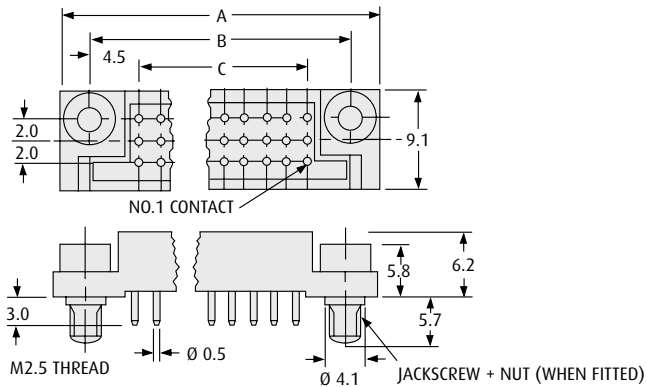


# Datamate

## Power/Signal Connectors – Male PC Tail

- ❑ Fully shrouded contacts, standard and 10A power.
- ❑ Polarised mouldings.
- ❑ Jackscrews are assembled where specified.
- ❑ Other options available, contact [datamate@harwin.com](mailto:datamate@harwin.com)

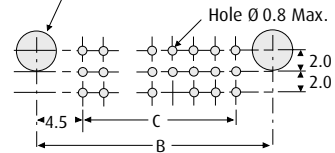
### MALE VERTICAL PC TAIL



#### CALCULATION

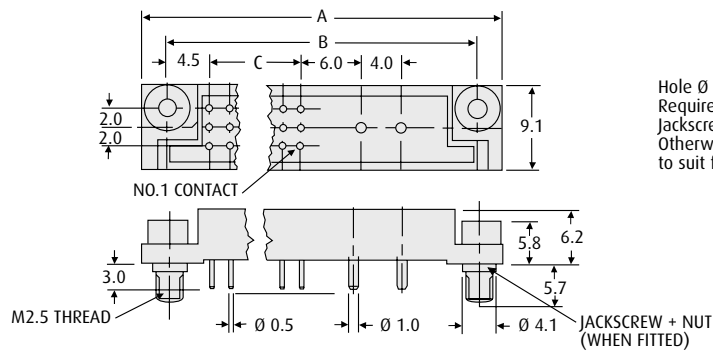
<b>A</b>	$C + 15.1$
<b>B</b>	$C + 9$
<b>C</b>	$2 \times (\text{No. of ways per row} - 1)$

Hole  $\varnothing 3.8$   
Required when Jackscrews are fitted.  
Otherwise optional to suit fixing chosen



Recommended PC Board Pattern

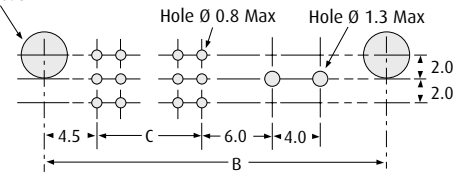
### MALE VERTICAL PC TAIL WITH POWER CONTACTS



#### CALCULATION

<b>A</b>	$C + 29.1$
<b>B</b>	$C + 23$
<b>C</b>	$2 \times (\text{No. of signal contacts per row} - 1)$

Hole  $\varnothing 3.8$   
Required when Jackscrews are fitted.  
Otherwise optional to suit fixing chosen



Recommended PC Board Pattern

### HOW TO ORDER

**M80 - 7 X X XX 22**

#### SERIES CODE

<b>0</b>	No power
<b>1</b>	With Power
<b>0</b>	With Jackscrews
<b>2</b>	Without Jackscrews

#### FINISH

**22** Gold + Tin

#### TOTAL NO. OF SIGNAL CONTACTS

M80-70X	<b>27, 36, 45, 51, 63</b>
M80-71X	<b>06, 15, 24, 30, 42</b>

[www.harwin.com](http://www.harwin.com)



**HARWIN**