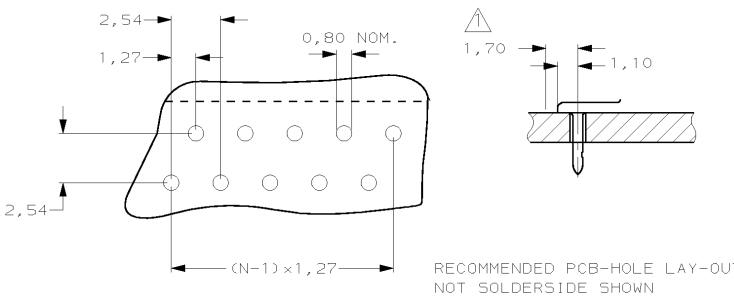
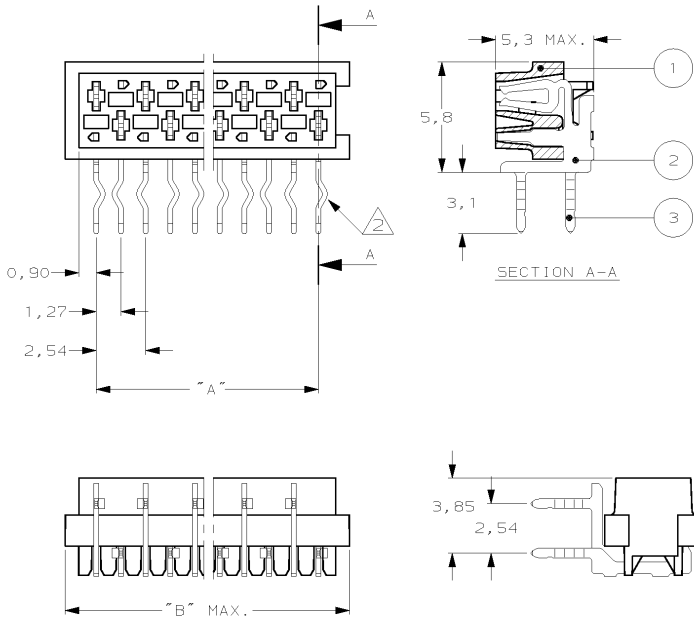


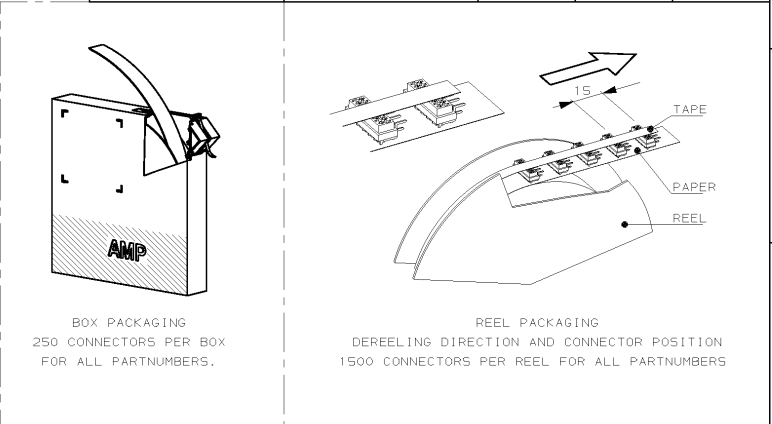
NOTES:

THIS AREA IS RESERVED FOR CONTACTS
DIRECTION OF KINK OPTIONAL.



DO NOT SCALE METRIC
DIMENSIONS IN mm THIRD ANGLE PROJECTION

PARTNUMBERS BOX PACKAGING	PARTNUMBERS REEL PACKAGING	NUMBER OF POSITIONS	"A"	"B"
7-215460-4	0-215460-4	4	3,81	7,1
7-215460-6	0-215460-6	6	6,35	9,7
7-215460-8	0-215460-8	8	8,89	12,2
8-215460-0	1-215460-0	10	11,43	14,7
8-215460-2	1-215460-2	12	13,97	17,3
8-215460-4	1-215460-4	14	16,51	19,8
8-215460-6	1-215460-6	16	19,05	22,4
8-215460-8	1-215460-8	18	21,59	24,9
9-215460-0	2-215460-0	20	24,13	27,4



FEMALE CONTACT	PhBr. PLATING: TIN-LEAD	3
FEMALE CONTACT	PhBr. PLATING: TIN-LEAD	2
HOUSING	GLASS FILLED POLYESTER (RED)	1
DESCRIPTION	MATERIAL	ITEM

CUSTOMER DRAWING				FOR REFERENCE ONLY WILL NOT BE UPDATED.	
S	EH01-0506-03	JvdH	RV	03 JUN 03	© COPYRIGHT 19- BY AMP-HOLLAND B.V. ALL INTERNATIONAL RIGHTS RESERVED. AMP PRODUCTS MAY BE COVERED BY U.S. AND FOREIGN AND/OR PATENTS PENDING. THIS DRAWING IS UNPUBLISHED RELEASED FOR PUBLICATION
R	EH-1337-97	D.K.	MVD	25 NOV 97	
P	EH-0770-97	D.K.	M.G.	14 JUL 97	
N	EH-0615-97	D.K.	M.G.	12 JUN 97	
M	EH-0587-95	Hvd	Hvd	12.05.95	
L	EH-0211-94	DK	HvdS	31-03-94	AMP-HOLLAND B.V. 's-Hertogenbosch, The NetherLands.
LTR. REVISION RECORD				NAME	
DR.	CHK.	APP.	L.V. SOST	Micro-MaTch FEMALE ON BOARD	
DATE: 11-03-92	DATE: 11-03-92	DATE: -		SIDE ENTRY POLARIZED	
DWG. No. 215460				REV. LTR. S	SHEET 1 OF 1

R6-128 (REV. 04-91) 8 7 6 5 4 3 2 1 A3