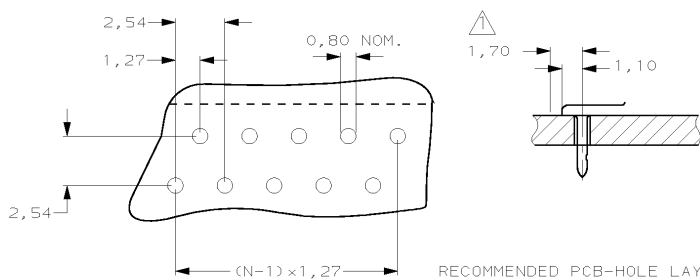
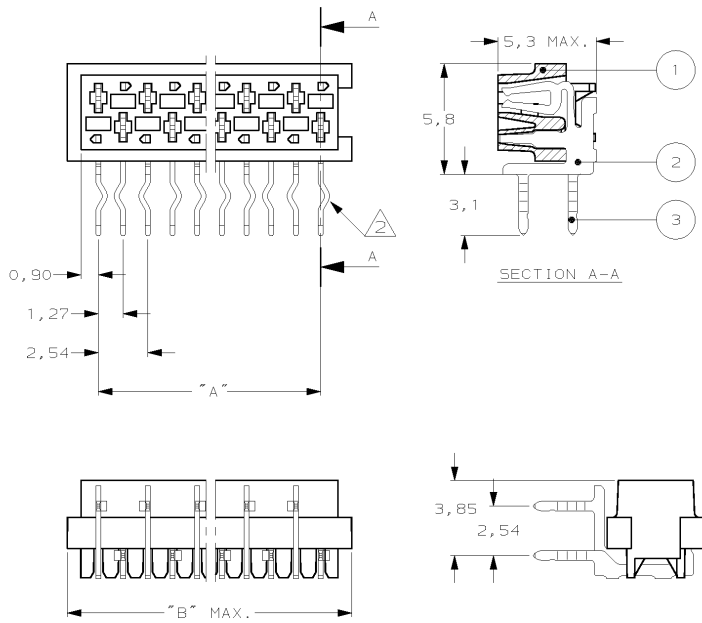


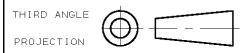
NOTES:

- ⚠ THIS AREA IS RESERVED FOR CONTACTS
- ⚠ DIRECTION OF KINK OPTIONAL.
- 3 PRODUCT SPECIFICATION: 108-19052

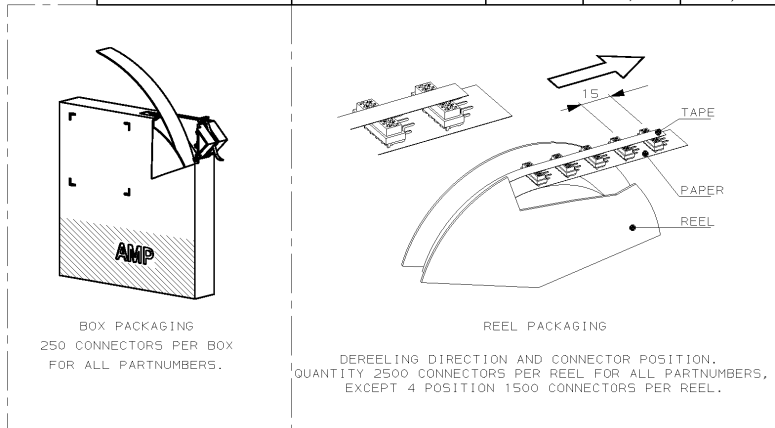


DO NOT SCALE
DIMENSIONS IN mm

METRIC



PARTNUMBERS BOX PACKAGING	PARTNUMBERS REEL PACKAGING	NUMBER OF POSITIONS	"A"	"B"
7-215460-4	0-215460-4	4	3,81	7,1
7-215460-6	0-215460-6	6	6,35	9,7
7-215460-8	0-215460-8	8	8,89	12,2
8-215460-0	1-215460-0	10	11,43	14,7
8-215460-2	1-215460-2	12	13,97	17,3
8-215460-4	1-215460-4	14	16,51	19,8
8-215460-6	1-215460-6	16	19,05	22,4
8-215460-8	1-215460-8	18	21,59	24,9
9-215460-0	2-215460-0	20	24,13	27,4



TIN OVER NICKEL PLATING.	PHOSPHORBRONZE	FEMALE CONTACT	3
TIN OVER NICKEL PLATING.	PHOSPHORBRONZE	FEMALE CONTACT	2
	GLASS FILLED POLYESTER (RED)	HOUSING	1

FINISH	MATERIAL	DESCRIPTION	ITEM
--------	----------	-------------	------

CUSTOMER DRAWING FOR REFERENCE ONLY WILL NOT BE UPDATED.

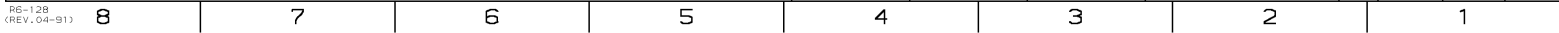
© COPYRIGHT 19- BY AMP-HOLLAND B.V.
ALL INTERNATIONAL RIGHTS RESERVED. AMP PRODUCTS MAY BE COVERED BY U.S. AND FOREIGN AND/OR PATENTS PENDING.
THIS DRAWING IS UNPUBLISHED
RELEASED FOR REFERENCE ONLY

AMP | AMP-HOLLAND B.V.
's-Hertogenbosch, The Netherlands.

NAME: **Micro-MaTch FEMALE ON BOARD**
SIDE ENTRY POLARIZED

DWG. No. **215460** REV. LTR. **U** SHEET **1 OF 1**

LTR. REVISION RECORD DR. CHK. DATE
DR. : P. V. TONGEREN CHK. : H. KOKKEN APP. : L.V. SREEST
DATE: 11-03-92 DATE: 11-03-92 DATE: -



86-128 (REV. 04-91)