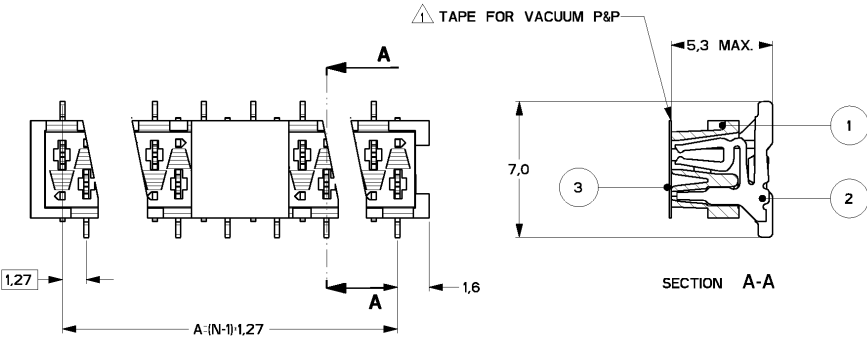
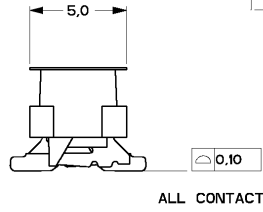
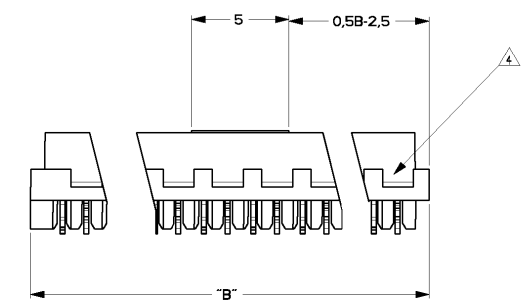
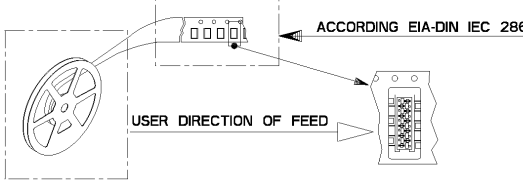


THIS DRAWING IS UNPUBLISHED. DATE: -
 XXXXXXXXXXXX
 Copyright - Tyco Electronics Nederland B.V. ALL RIGHTS RESERVED.

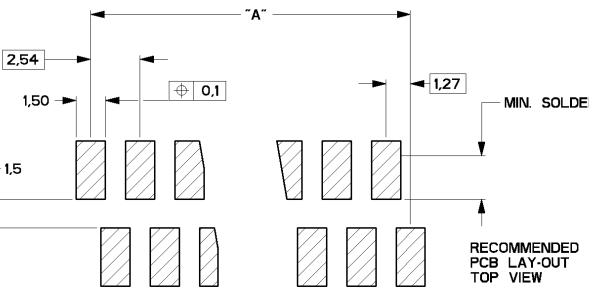
LOC	DIST	REVISIONS			
H	-	LTR	DESCRIPTION	DATE	APVD
		L1	ECN EH00-0027-02	04/02/02	MG
		--	--	--	--
		--	--	--	--



NOTES:
 1 TAPE FOR VACUUM P&P ONLY FOR DASHNUMBERS 7-8/-9-
 2 FOR PACKAGING SEE SHEET 2-2
 3 WITHOUT VACUUM TAPE
 4 CORING OUTS OPTIONAL



NR OF POS	"A"	"B" MAX	+ VAC.TAPE	
			PARTNUMBER	PARTNUMBER
4	3,81	7,1	7-188275-4	0-188275-4
6	6,35	9,7	7-188275-6	0-188275-6
8	8,89	12,2	7-188275-8	0-188275-8
10	11,43	14,7	8-188275-0	1-188275-0
12	13,97	17,3	8-188275-2	1-188275-2
14	16,51	19,8	8-188275-4	1-188275-4
16	19,05	22,4	8-188275-6	1-188275-6
18	21,59	24,9	8-188275-8	1-188275-8
20	24,13	27,5	9-188275-0	2-188275-0



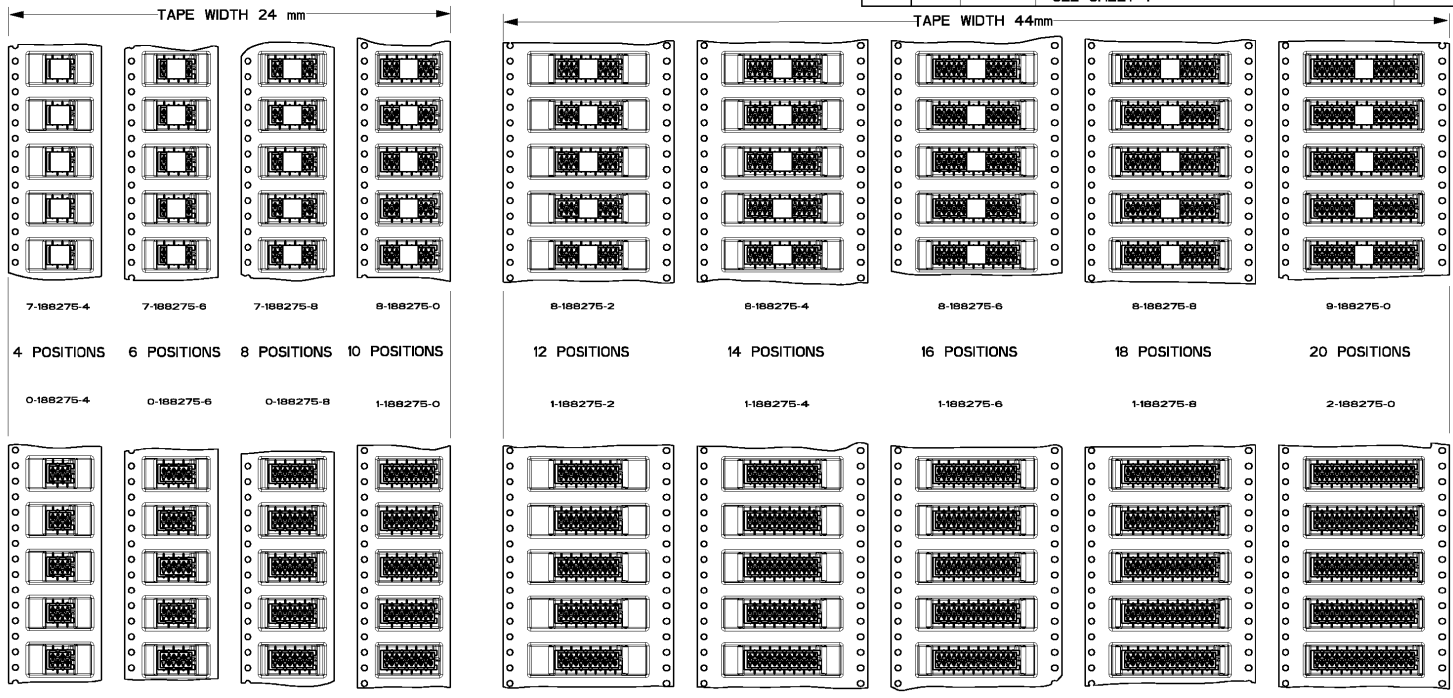
THIS DRAWING IS A CONTROLLED DOCUMENT FOR Tyco Electronics Nederland B.V. IT IS SUBJECT TO CONTROL BY THE CONTROLLING ENGINEERING DEPARTMENT UNLESS INDICATED OTHERWISE.

DIMENSIONS:	TOLERANCES UNLESS OTHERWISE SPECIFIED:
mm	
0 PLC	± 0.1
1 PLC	± 0.05
2 PLC	± 0.05
3 PLC	± 0.05
4 PLC	± 0.05
ANGLES	± 0.2°
MATERIAL	FINISH

3	Tape	4	-
2	Female contact	Phosphorbronze	Tin-Lead plated
1	Female housing	PA 4.6	Red
Item no. Description		Material	Finish
OWN MGosseink		NAME AMP Tyco Electronics Nederland B.V. HERTOGENBOSCH, THE NETHERLANDS	
CHK -		PRODUCT SPEC 108-19052	
APVD -		APPLICATION SPEC -	
WEIGHT -		SIZE A3	CAGE CODE 00779
CUSTOMER DRAWING		DRAWING NO C-188275	
SCALE 10:1		SHEET 1 OF 2	
		REV LI	

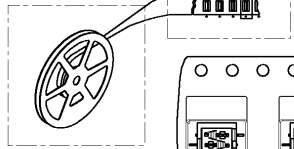
THIS DRAWING IS UNPUBLISHED.
 XXXXXXXXXXXX DATE: -
 © COPYRIGHT - by Tyco Electronics Nederland B.V. ALL RIGHTS RESERVED.

LOC	DIST	REVISIONS		
H	-	LTR	SEE SHEET 1	DESCRIPTION
				DATE
				APVD

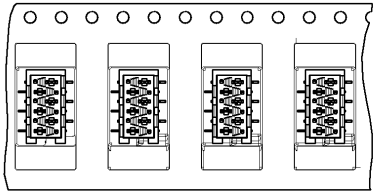


ACCORDING EIA-481/DIN IEC 286

PACKAGING



SCALE 2:1



THIS DRAWING IS A CONTROLLED DOCUMENT FOR Tyco Electronics Nederland B.V. IT IS SUBJECT TO CONTROL BY THE CONTROLLING ENGINEERING. SHOULD ANY DISCREPANCY BE CONTACTED FOR THE LATEST VERSION.

DIMENSIONS:		TOLERANCES UNLESS OTHERWISE SPECIFIED:	
mm		0. PLC	± .
		1. PLC	± .
		2. PLC	± .
		3. PLC	± .
		4. PLC	± .
		ANGLES	± .°**
MATERIAL		FINISH	

DWN	M Gasselink
CHK	
APVD	
PRODUCT SPEC	
APPLICATION SPEC	
WEIGHT	

AMP Tyco Electronics Nederland B.V. HERTOEGENBOSCH, THE NETHERLANDS		
NAME MICRO-MATCH FTE SMD CONNECTOR		
SIZE	CAGE CODE	DRAWING NO
A3	00779	C-188275
CUSTOMER DRAWING		
SCALE	SHEET	OF
10:1	2	2
REV	LI	