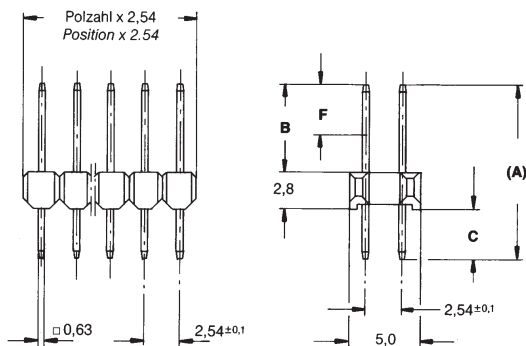
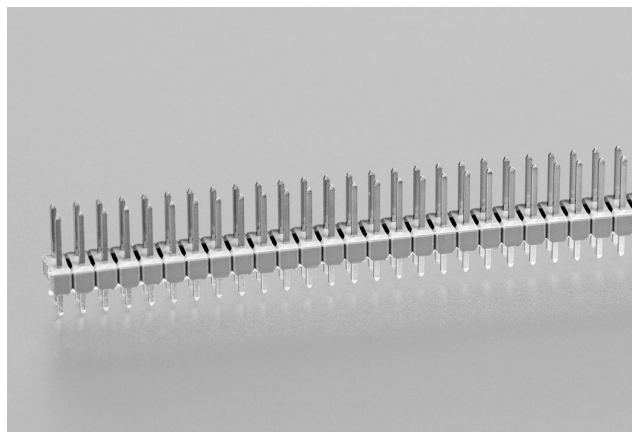


AMPMODU II
Low Cost Line
 (Fortsetzung)

Zweireihig (180°)
 duplex vergoldet

Double Row (Vertical)
 Duplex Gold Plated



Abmessungen:

- A = 12,4 mm
- B = 6,7 mm
- C = 2,9 mm
- F = 5,5 mm

Dimensions:

- A = 12.4 mm
- B = 6.7 mm
- C = 2.9 mm
- F = 5.5 mm

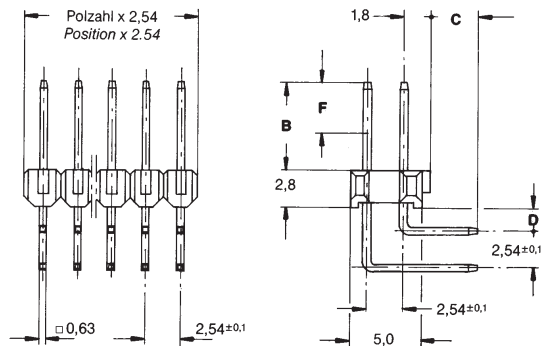
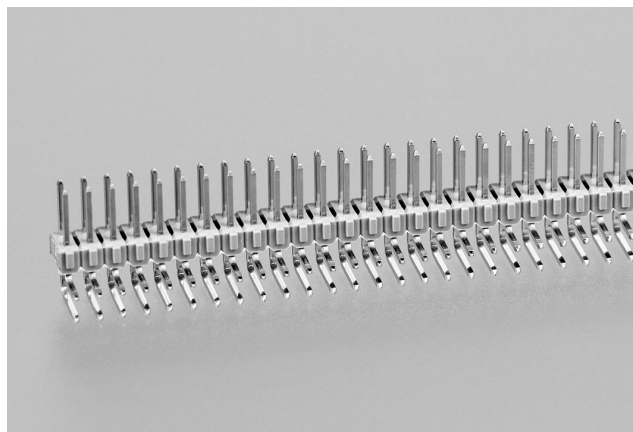
Polzahl No. of Positions	Bestell-Nummer Part Number	Packungseinheit Packaging Unit
2 x 2	826632-2	1.500
2 x 3	826632-3	1.000
2 x 4	826632-4	500
2 x 5	826632-5	400
2 x 6	826632-6	500
2 x 7	826632-7	500
2 x 8	826632-8	500
2 x 10	1-826632-0	400
2 x 50	5-826632-0	150

Weitere Polzahlen und/oder Stiftlängen sowie verzinnzte Versionen sind auf Anfrage lieferbar.

AMPMODU II
Low Cost Line
 (continued)

Zweireihig (90°)
 duplex vergoldet

Double Row (Right-Angle)
 Duplex Gold Plated



Abmessungen:

- B = 6,7 mm
- C = 2,9 mm
- F = 5,5 mm

Dimensions:

- B = 6.7 mm
- C = 2.9 mm
- F = 5.5 mm

Polzahl No. of Positions	Bestell-Nummer Part Number	Packungseinheit Packaging Unit
2 x 2	826634-2	800
2 x 3	826634-3	600
2 x 4	826634-4	400
2 x 5	826634-5	300
2 x 6	826634-6	500
2 x 7	826634-7	400
2 x 8	826634-8	300
2 x 10	1-826634-0	300
2 x 50	5-826634-0	100

Other number of positions and/or pin length as well as tinned versions are available upon request.

Capital Goods