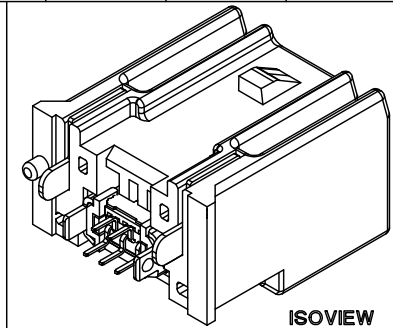
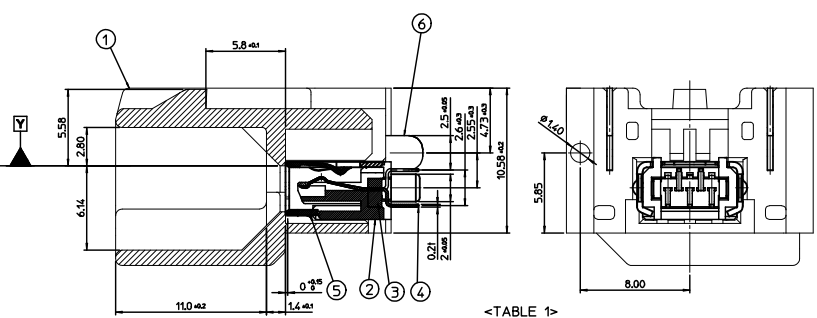
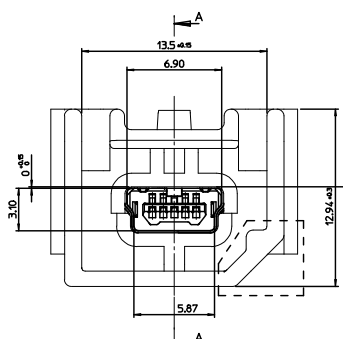


RECOMMENDED PCB LAYOUT

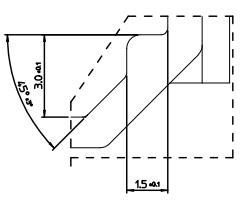


- NOTE**
- MATES WITH :
(MOLEX SERIES NO. - 111014, 111015, 111005, 111041, 111019, 111020)
 - SHROUD GEOMETRY AND ASSEMBLY WITH USB MINI-B CONNECTOR ARE ACCORDING TO USCAR STD 999-U-USB-Z01
 - FINISHES
 - TERMINAL :
CONTACT AREA : Au 0.75µm MIN.
SOLDER TAIL AREA : TIN 1.0µm MIN.
UNDER PLATING : NI 1.0µm MIN.
 - SHIELD CASE :
3.0µm MIN. TIN OVER NI 1.0µm MIN.
 - FITTING NAIL :
3.0µm MIN. TIN OVER NI 1.0µm MIN.
 - UNLESS OTHERWISE SPECIFIED, TYPICAL RECOMMENDED PCB MANUFACTURING TOLERANCE IS ±0.05
 - PACKAGING IS TRAY :
(48 PCS/TRAY, 5 TRAY/TRAY BOX, 240 PCS/TRAY BOX, 960 PCS/CARTON BOX)
 - PRODUCT SPECIFICATION : PS-49616-001
 - PACKAGING INFORMATION : PK-104004-001
 - PCB THICKNESS : 1.6mm(REFERENCE)



<TABLE 1>

MATERIAL NO.	ORDER NO.	COLOR
1040040505	104004-0505	GRAY



<PARTS LIST>

NO.	PART NAME	MATERIAL
1	SHROUD-B	LCP, GLASS FILLED, UL94 V-0
2	RECEPTACLE HOUSING	LCP, GLASS FILLED, UL94 V-0
3	CONTACT HOUSING	LCP, GLASS FILLED, UL94 V-0
4	CONTACT TERMINAL	COPPER ALLOY
5	SHIELD CASE	PHOSPHOR BRONZE
6	BOARD LOCKS PIN	BRASS

NEW RELEASED
 EC NO: KOR2009-0147
 DRAWN: S.M.KIM 2009/06/18
 CHECKED: C.YOON 2009/06/18
 APPROVED: S.M.KIM 2009/06/18
 DESCRIPTION
 REV

QUALITY SYMBOLS

GENERAL TOLERANCES (UNLESS SPECIFIED)	mm	INCH
4 PLACES ±	±	±
3 PLACES ±0	±	±
2 PLACES ±0.15	±	±
1 PLACE ±0.25	±	±
ANGULAR ± 1°		

DRAFT WHERE APPLICABLE MUST REMAIN WITHIN DIMENSIONS

DIMENSION STYLE: MM ONLY
 SCALE: 5:1
 DESIGN UNITS: METRIC
 THIRD ANGLE PROJECTION
 DRAWN BY: S.M.KIM DATE: 2009/06/17
 CHECKED BY: B.C.YOON DATE: 2009/06/17
 APPROVED BY: E.H.JUNG DATE: 2009/06/17
 MATERIAL NO.: SEE TABLE 1
 DOCUMENT NO.: SD-104004-002
 SHEET NO.: 1 OF 1
 TITLE: USCAR USB MINI B CONN VERTICAL B
 MOLEX INCORPORATED
 THIS DRAWING CONTAINS INFORMATION THAT IS PROPRIETARY TO MOLEX INCORPORATED AND SHOULD NOT BE USED WITHOUT WRITTEN PERMISSION