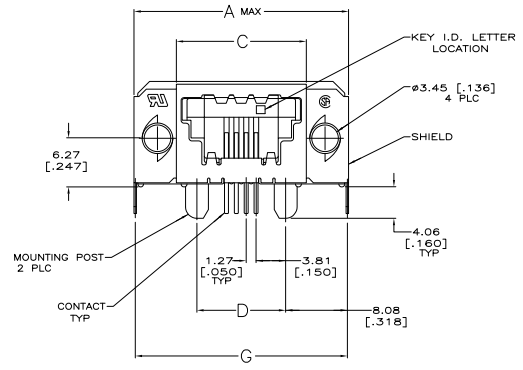
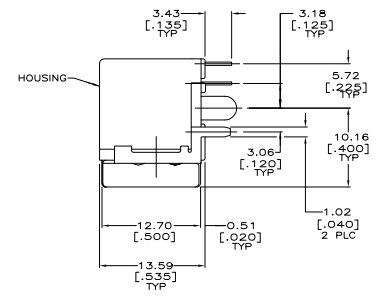
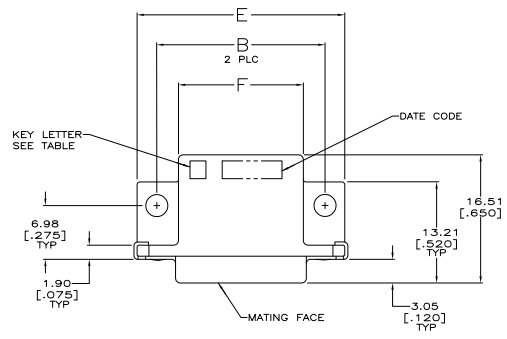


REV	DATE	DESCRIPTION	BY	APP'D
00				
B		REVISED PER ECO-06-000724		JDF/CWR

- PREFIX AND SUFFIX NUMBERS MUST MATCH THOSE ON PLUG ASSEMBLY FOR PARTS TO MATE.
- POLYESTER, FLAME RETARDANT, UL 94V-0 RATED, GLASS FILLED, BLACK.
- 3.81mm [.000150] MIN BRIGHT TIN OVER 1.27mm [.000050] MIN NICKEL.
- 1.27mm [.000050] MIN GOLD ON MATING SURFACE FOR A LENGTH OF 2.54 [.100] MIN, 3.81mm [.000150] MIN MATTE TIN ON OPPOSITE END FOR A LENGTH OF 3.81 [.150] MIN, BOTH OVER 1.27mm [.000050] MIN NICKEL ON ENTIRE CONTACT.



	42.57 [1.676]	31.24 [1.230]	41.91 [1.650]	26.67 [1.050]	31.98 [1.259]	36.83 [1.450]	43.18 [1.700]	16	E	5-1761185-6
	32.41 [1.276]	21.08 [.830]	31.75 [1.250]	16.51 [.650]	21.82 [.859]	26.67 [1.050]	33.02 [1.300]	8	E	5-1761185-3
	29.87 [1.176]	16.54 [.650]	29.21 [1.150]	13.97 [.550]	19.28 [.759]	24.13 [.950]	30.48 [1.200]	6	E	5-1761185-2
	27.33 [1.076]	16.00 [.630]	26.67 [1.050]	11.43 [.450]	16.74 [.659]	21.59 [.850]	27.94 [1.100]	4	E	5-1761185-1
	27.33 [1.076]	16.00 [.630]	26.67 [1.050]	11.43 [.450]	16.74 [.659]	21.59 [.850]	27.94 [1.100]	4	D	4-1761185-1
	32.41 [1.276]	21.08 [.830]	31.75 [1.250]	16.51 [.650]	21.82 [.859]	26.67 [1.050]	33.02 [1.300]	8	C	3-1761185-3
OBSOLETE	42.57 [1.676]	31.24 [1.230]	41.91 [1.650]	26.67 [1.050]	31.98 [1.259]	36.83 [1.450]	43.18 [1.700]	16	A	1-1761185-6
	32.41 [1.276]	21.08 [.830]	31.75 [1.250]	16.51 [.650]	21.82 [.859]	26.67 [1.050]	33.02 [1.300]	8	A	1-1761185-3
	29.87 [1.176]	16.54 [.650]	29.21 [1.150]	13.97 [.550]	19.28 [.759]	24.13 [.950]	30.48 [1.200]	6	A	1-1761185-2
	27.33 [1.076]	16.00 [.630]	26.67 [1.050]	11.43 [.450]	16.74 [.659]	21.59 [.850]	27.94 [1.100]	4	A	1-1761185-1

REV	DATE	DESCRIPTION	BY	APP'D
00				
B		REVISED PER ECO-06-000724		JDF/CWR

THIS DRAWING IS A CONTROLLED DOCUMENT. IN THE EVENT OF A DISCREPANCY BETWEEN THIS DRAWING AND THE PART, THE PART SHALL PREVAIL.

DESIGNED BY: M. WILMSLEY  
 DRAWN BY: M. WILMSLEY  
 CHECKED BY: M. WILMSLEY  
 DATE: 11-14-2007

RECEPTACLE ASSEMBLY, SIDE ENTRY WITH GROUND, SCL

SIZE: 114-2081  
 QTY: 1000  
 DATE: 11-14-2007  
 DRAWING NO: 114-2081  
 CUSTOMER DRAWING: 114-2081