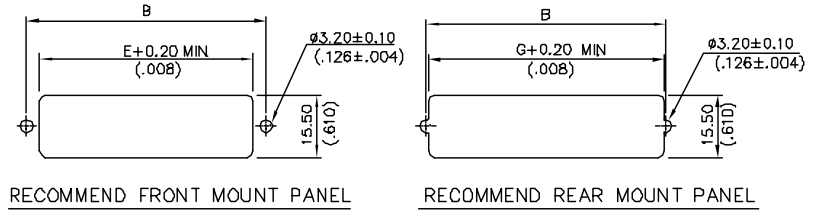
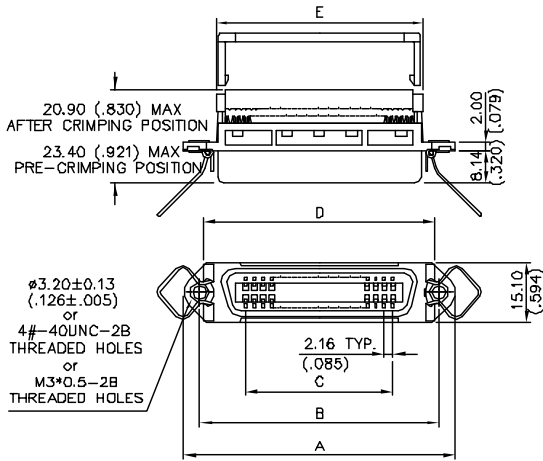


REV.	ZONE	LTR	DESCRIPTION	DATE	REVISER	APPD
7		△	依ECR新增客戶碼及注解	07/24-'01	Liu.zk	

SPECIFICATIONS:

- .Current rating : 1A : AWG28/1, 2A : AWG26
- .Insulation resistance : $\geq 1000 \text{ M}\Omega$
- .Dielectric withstanding voltage : 500V, at sea level
- .Operating temperature : $-55^{\circ}\text{C} \sim 105^{\circ}\text{C}$ (limited by cable)
- .Contact resistance $\leq 20\text{m}\Omega$
- .Dielectric material : PBT & glass reinforced, UL 94V-0
- .Contact material : phosphor bronze
- .Contact plating : gold over nickel
- .Wire size : AWG26 & AWG28 stranded, 1.27mm conductor center flat cable



RECOMMEND FRONT MOUNT PANEL

RECOMMEND REAR MOUNT PANEL

ORDERING INFORMATION

5F 40 500 M - 1 0 P S - C △
 (1) (2) (3) (4) (5) (6) (7) (8) (9)

- Series Number :
5F : I.D.C. ribbon connector
- Contact & Connecting types :
10 : Plug, rack & panel connecting type
20 : Socket, rack & panel connecting type
30 : Plug, cable to panel connecting type
40 : Socket, cable to panel connecting type
- Number of Contacts :
240 : 24 Positions
360 : 36 Positions
500 : 50 Positions
- Housing Construction Types :
P : All plastic type
M : With metal front shell
- Color Codes :
1 : Blue
2 : Gray
3 : Black
- Contact Finish :
0 : Selected gold flash over nickel
2 : 15μ Selected gold plated over nickel
3 : 30μ Selected gold plated over nickel
- Strain Relief:
N : Without strain relief
P : Plastic strain relief
- Mounting Types :
S : Standard Through holes
R : With rivet through holes
T : With #4-40UNC threaded insert
N : Without mounting holes (Bail mounting type)
M : With M3*0.5 threaded holes
W : With M2.6*0.45 threaded holes
A : With $\phi 3.20$ rivet

△9. CUSTOMER
C : INLAND



STRAIN RELIEF

73.95 (2.911)	70.90 (2.79)	68.50 (2.697)	73.75 (2.904)	51.84 (2.041)	74.85 (2.947)	82.80 (3.260)	5F40500M
G	F	E	D	C	B	A	
$\pm 0.25(.010)$	$\pm 0.25(.010)$	$\pm 0.25(.010)$	$\pm 0.20(.008)$	$\pm 0.13(.005)$	$\pm 0.13(.005)$	$\pm 0.25(.010)$	PART NO.
MATERIAL		TOLERANCE UNSPECIFIED		SCALE		UNIT	
/		0 0 0 ± 0 0 ±0.25 0 ± ANGLE ±		1 : 1		mm(inch)	
FINISH		DRAWN 蔡麗琴 81/5/8		NAME		SHEET	
/		DESIGNED		5F 40 SERIES		1	
		CHECKED Peter 7/27'01		RIBBON CONN.-RECEPTACLE		/	
		APPROVED James7/27'01		WITH METAL FRONT SHELL		REV.	
				DRAWING NO		7	
				R-S105F-8			
				A3		RS105F81	