

VHDCI CONNECTORS VHDCR, VHDCP SERIES

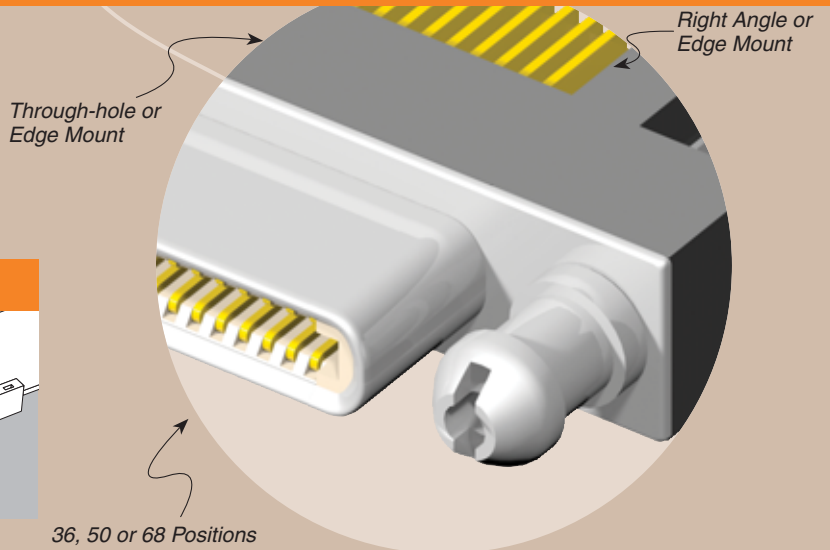
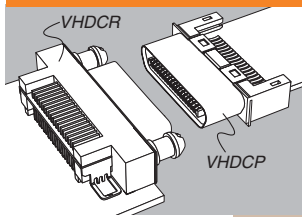
SPECIFICATIONS

For complete specifications and recommended PCB layouts see www.samtec.com?VHDCR or www.samtec.com?VHDCP

RoHS Compliant:
Yes
Lead-Free Solderable:
No

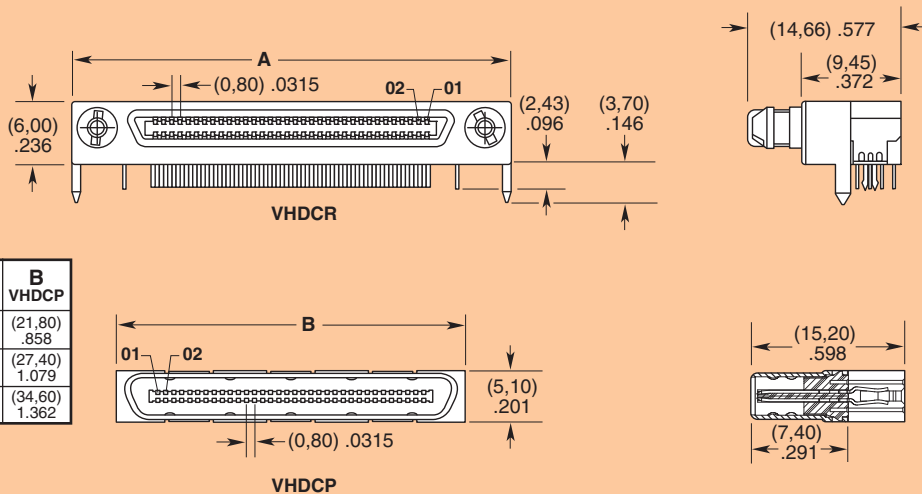
VHDCR Mates with:
VHDCP and Industry Standard VHDCI Cable Assemblies
VHDCP Mates with:
VHDCR

APPLICATION



TYPE	NO. OF POSITIONS	01	PLATING	MOUNTING OPTION
VHDCR = Right Angle	-36, -50, -68	-M = 15µ" (0,38µm) Gold		-RA = Right Angle (Required for VHDCR)
VHDCP = Edge Mount				-EM = Edge Mount (Required for VHDCP)

NO. OF POSITIONS	A VHDCR	B VHDCP
36	(29,90) 1.177	(21,80) .858
50	(35,50) 1.400	(27,40) 1.079
68	(42,70) 1.681	(34,60) 1.362



Note:
This Series is non-standard, non-returnable.

Due to technical progress, all designs, specifications and components are subject to change without notice.

WWW.SAMTEC.COM

SAMTEC USA • Tel: 1-800-SAMTEC-9 or 812-944-6733 • Fax: 812-948-5047
 SAMTEC GERMANY • Tel: +49 (0) 89 / 89460-0 • Fax: +49 (0) 89 / 89460-299
 SAMTEC ASIA PACIFIC • Tel: 65 6745-5955 • Fax: 65 6841-1502
 SAMTEC HONG KONG • Tel: 852-2600-4850 • Fax: 852-2600-4841
 SAMTEC JAPAN • Tel: 045-475-1385 • Fax: 045-475-1340
 SAMTEC KOREA • Tel: 82-31-717-5685 • Fax: 82-31-717-5681
 SAMTEC SILICON VALLEY • Tel: 408-395-5900 • Fax: 408-395-1520
 SAMTEC FRANCE • Tel: 33 01 60 95 06 60 • Fax: 33 01 60 95 06 61
 SAMTEC ISRAEL • Tel: 972-3-7526600 • Fax: 972-3-7526690
 SAMTEC CHINA • Tel: 86-21-61103766 • Fax: 86-21-5423 4575
 SAMTEC SOUTH AFRICA • Tel: 27 11 452 8112 • Fax: 27 86 6714432
 SAMTEC UK • Tel: 44 01236 739292 • Fax: 44 01236 727113
 SAMTEC ITALY • Tel: 39 039 6890337 • Fax: 39 039 6890315
 SAMTEC INDIA • Tel: +91-80-3272 1612 • Fax: +91-80-4152 8187
 SAMTEC TAIWAN • Tel: 886-2-2735-6109 • Fax: 886-2-2735-5036
 SAMTEC ANZ • Tel: 613 9512 7747 • Fax: 613 9512 7745