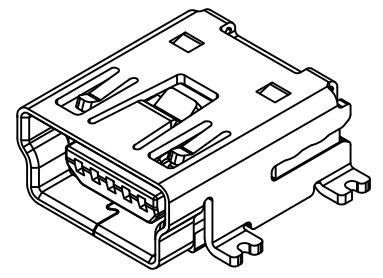
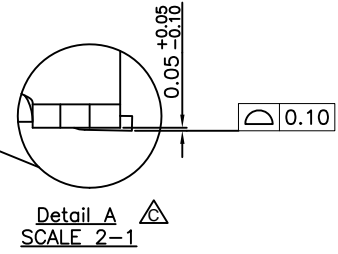
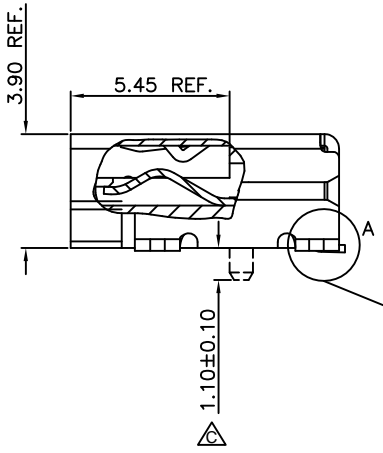


**RECOMMENDED P.C.B LAYOUT**  
 GENERAL TOLERANCE: ±0.05  
 AS VIEWED FROM COMPONENT SIDE  
 Solder Area  
 Component Outline



Ordering Grid  
**USB2066-05-RBHM-15-STB-00-XX-A** **REQUEST SAMPLES AND QUOTATION**

No. of Contacts: 05

Contact Plating: 15 = 15µ" Gold

Packing Options:  
 A = Tape & Reel (With Mylar)  
 (Quantity per Reel: 750 pcs)

Optional Post:  
 01 = With Post  
 00 = Without Post

Offset:  
 00 = No Offset

**Specifications 规格:**

**Materials 物料:**  
 Plastic Housing 塑胶外壳: LCP UL94V-0, Black △  
 LCP UL94V-0, 黑色  
 Contact Terminal 接触端子: Phosphor Bronze, T=0.25mm 磷青铜  
 Metallic Shell 金属外壳: Brass, T=0.4mm 黄铜 △

**Plating 电镀规格:**  
 Contact Terminal plating 接触端子部分电镀:  
 Underplating 底层电镀: Nickel all over 全部镀镍  
 Contact Area 接触部分: 15µ" Gold 镀金15µ"  
 Solder Tails 焊接末端: Bright Tin 亮锡 △  
 Metallic Shell plating 金属外壳电镀: Matte Tin 50µ" all over 整体镀雾锡50µ" △  
 Underplating 底层电镀: Nickel 50µ" all over 整体镀镍50µ" △

**Electrical 电气规格:**  
 Voltage Rating 电压额定值: 30VDC  
 Current Rating 电流额定值: 1A  
 Operating Temperature 工作温度: -20°C to +60°C △  
 Contact Resistance 接触电阻值: 50mΩ Max.  
 Insulation Resistance 绝缘电阻值: 100MΩ Min  
 Dielectric Withstanding Voltage 耐电压: No Discharge or Flash 没有放电或火花  
 (100VAC for 1 minute 施加100VAC一分钟)

**Mechanical 机械性规格:**  
 Mating Force 插入力: 35N (3.57Kgf) Max.  
 Unmating Force 拔出力: 7N (0.71Kgf) Min. - 1st mating cycle △  
 Unmating Force 拔出力: 3N (0.31Kgf) Min. - 5001st mating cycle △  
 Durability 耐久性: 5,000 Cycles 5000次插拔

By	PN	PN	SA
DETAIL	DRAWING RELEASE	AMENDED TO 'OPTIONAL POST'	ECN20101104-1
REV	A	B	C
DATE	04/06/09	16/06/09	04/11/10

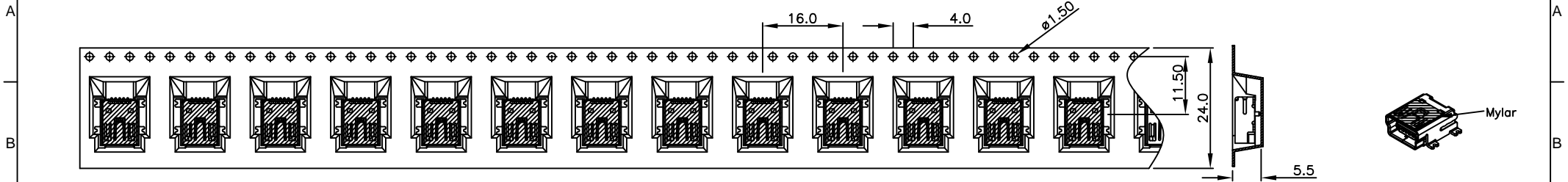


Tolerances (Except as noted)	Part Number:-	Date:-
Dimensions in mm	USB2066	04 JUN 09
X.X ± 0.35 X.X° ± 1°	Description:-	
X.XX ± 0.25 X.X° ± 0.5°	MINI USB RECEPTACLE, TYPE B, 5 PIN, SMT, HORIZONTAL, OPTIONAL POST, 9.40mm LENGTH	
X.XXX ± 0.150 X.XX° ± 0.25°		
Third Angle Projection	THIS DRAWING IS CONFIDENTIAL AND MUST NOT BE COPIED OR DISCLOSED WITHOUT WRITTEN CONSENT	

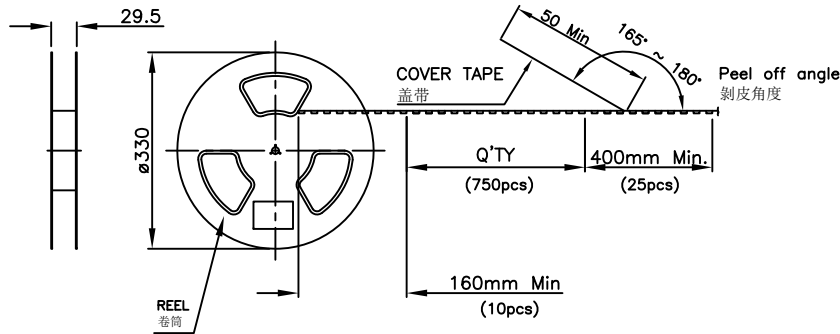
**GCT**

www.globalconnectortechology.com

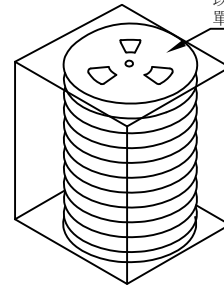
Scale	Revision	Material	Drawn by	Sheet No.
NTS	C	See Note	LYH	E & OE 1/2



Reeling Direction  
进口方向



11 reels stacked  
into one bag  
以11盘作为一个包装  
单位, 外包PE袋



Notes注意:

1. All dimensions in millimeters 所有尺寸均是毫米
2. Carrier Tape: 24 (w) x 12.6meters 承载带: 24mm 宽:12600mm
3. Component Load Per 13"Reel:750Pcs 每13"卷筒承载零件:750件

Packing Rules封装规则:

1. All the labels on REEL should be face-up

Reel标签一律朝上

2. Place 11 filled REEL into the bag  
以11盘作为一个包装单位, 外包PE袋

3. Fold cardboard into triangles and insert

固定纸板折成三角后放于纸箱四个角以稳固成品

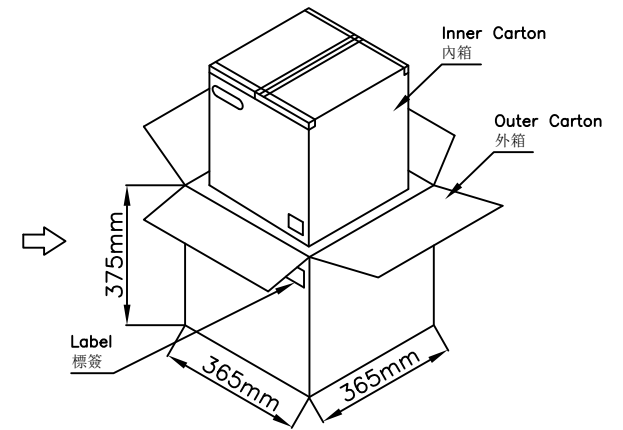
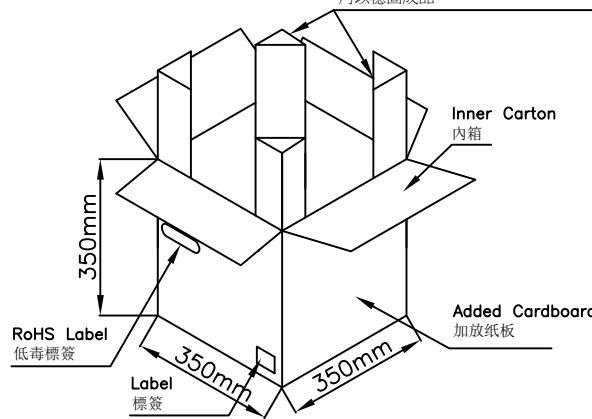
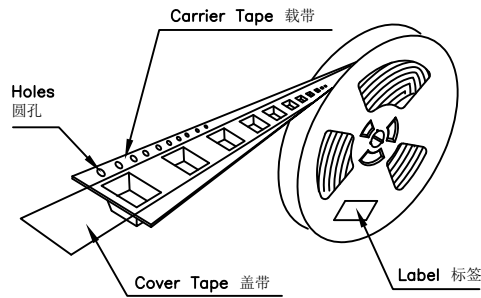
4. Insert inner box into outer box

将内箱装入外箱

5. Stick label on the outer carton

标签贴放箱外

Fold cardboard into triangles  
and insert  
固定纸板折成三角后放于纸箱四个  
角以稳固成品



By	PN	PN	SA
DETAIL	DRAWING RELEASE	AMENDED TO 'OPTIONAL POST'	ECN20101104-1
REV DATE	A 04/06/09	B 16/06/09	C 04/11/10



Tolerances (Except as noted)	Part Number:-	Date:-
Dimensions in mm	USB2066	04 JUN 09
	Description:-	
	MINI USB RECEPTACLE, TYPE B, 5 PIN, SMT, HORIZONTAL, OPTIONAL POST, 9.40mm LENGTH	

THIS DRAWING IS CONFIDENTIAL AND MUST NOT BE COPIED OR DISCLOSED WITHOUT WRITTEN CONSENT
--

<b>GCT</b>					
www.globalconnectortechology.com					
Scale	Revision	Material	Drawn by	E & OE	Sheet No.
NTS	C	See Note	LYH		2/2