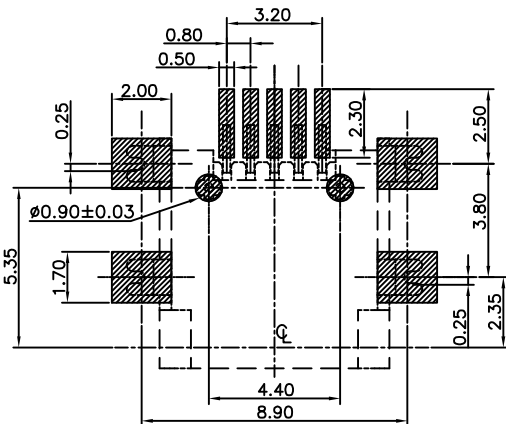
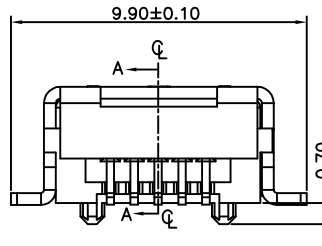
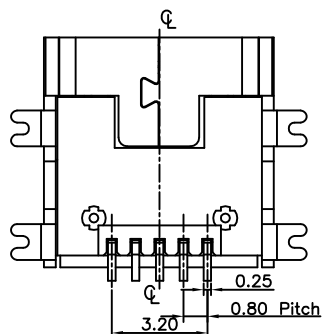
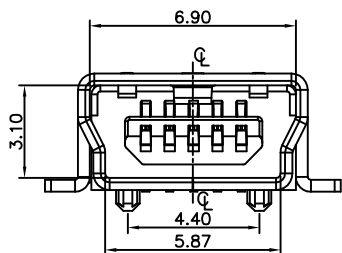
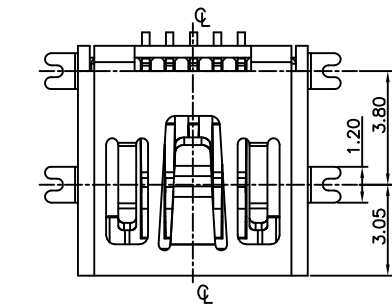
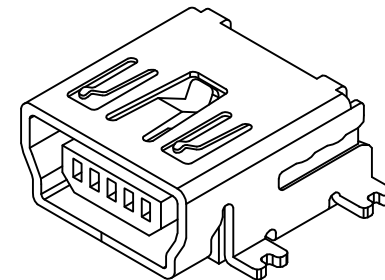
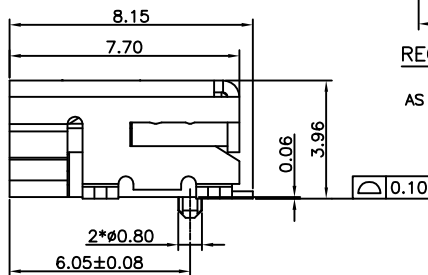


Global Connector Technology Ltd. - USB2065: Mini USB Receptacle, Type B, 5 Pin, SMT, Horizontal, With Post



RECOMMENDED P.C.B LAYOUT
 GENERAL TOLERANCE: ±0.05
 AS VIEWED FROM COMPONENT SIDE

 Solder Area
 Component Outline



Specifications 规格:

Materials & Plating 物料与电镀:

Plastic Housing 塑胶外壳: High Temp. Thermoplastic with 30% Glass Fiber, UL94V-0, Black 高温塑胶(含30%玻璃纤维), 黑色
 Contact Terminal 接触端子: Phosphor Bronze, T=0.25mm 磷青铜
 Metallic Shell 金属外壳: Stainless Steel, T=0.4±0.01mm 不锈钢

Plating 电镀规格:

Contact Terminal plating 接触端子部分电镀:
 Underplating 底层电镀: Nickel all over 全部镀镍
 Contact Area 接触部分: 15µ" Gold 镀金15µ"
 Solder Tails 焊接末端: Tin 镀锡
 Metallic Shell plating 金属外壳电镀: Copper Alloy 外壳物料: 铜合金
 Underplating 底层电镀: Nickel all over 全部镀镍
 Solder Tails 焊接末端: Matte Tin 镀雾锡

Electrical 电气规格:

Voltage Rating 电压额定值: 30VDC
 Current Rating 电流额定值: 1A
 Operating Temperature 工作温度: 0°C to +50°C
 Contact Resistance 接触电阻值: 50mΩ Max.
 Insulation Resistance 绝缘电阻值: 100MΩ Min
 Dielectric Withstanding Voltage 耐电压: No Discharge or Flash 没有放电或火花 (100VAC for 1 minute 施加100VAC一分钟)

Mechanical 机械性规格:

Mating Force 插入力: 35N (3.57Kgf) Max.
 Unmating Force 拔出力: 7N (0.71Kgf) Min.
 Contact Retention Force 接触保持力: 4N Min.
 Durability 耐久性: 5,000 Cycles 5000次插拔

Ordering Grid

USB2065 - 05 - RBHM - 15 - SLB - 00 - 01 - A REQUEST SAMPLES AND QUOTATION

No. of Contacts
05

Contact Plating
15 = 15µ" Gold

Packing Options
A = Tape & Reel (With Mylar)
(Quantity per Reel: 800pcs)

01 = With Post

Offset
00 = No Offset

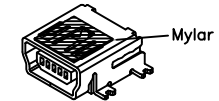
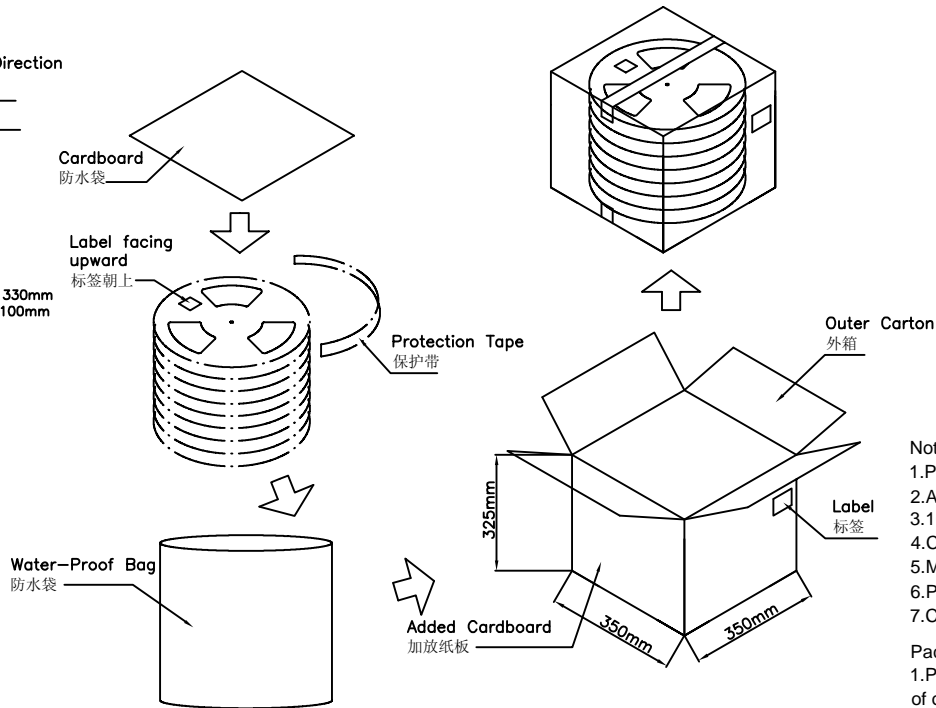
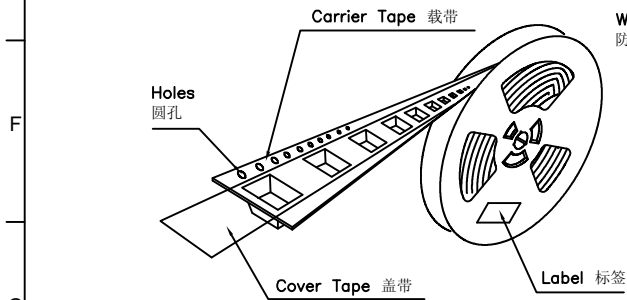
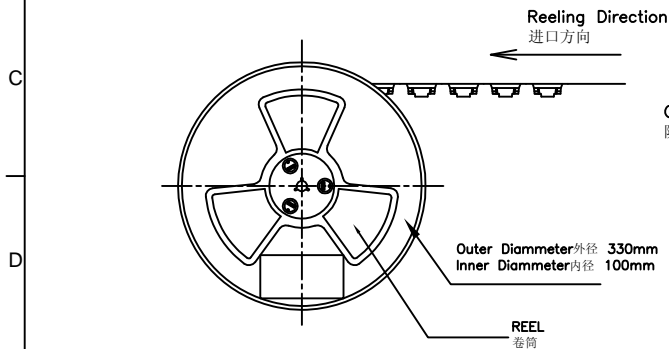
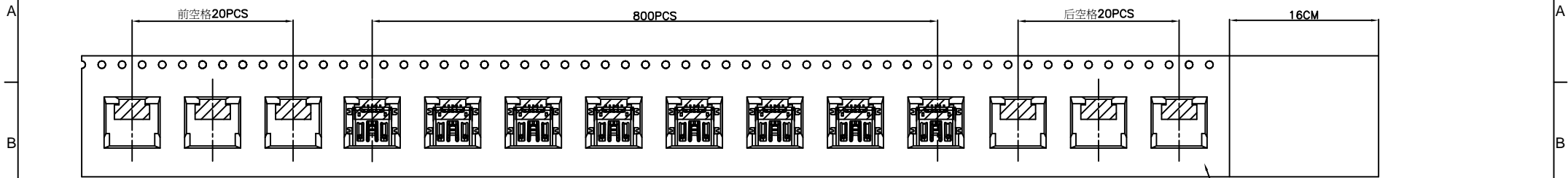
By	LYH	ASE	SA
DETAIL	DRAWING RELEASE	ECN080402B	PACK QTY UPDATE
REV	A	B	C
DATE	11/07/07	02/04/08	28/06/10



Tolerances (Except as noted)	Part Number:-	Date:-
Dimensions in mm	USB2065	11 JUL 07
X.X ± 0.35 X.° ± 1°	Description:-	
X.XX ± 0.25 X.X° ± 0.5°	MINI USB RECEPTACLE, TYPE B, 5 PIN, SMT, HORIZONTAL, WITH POST	
X.XXX ± 0.150 X.XX° ± 0.25°		
Third Angle Projection	THIS DRAWING IS CONFIDENTIAL AND MUST NOT BE COPIED OR DISCLOSED WITHOUT WRITTEN CONSENT	

GCT			www.globalconnectortechology.com		
Scale	Revision	Material	Drawn by	E & OE	Sheet No.
NTS	C	See Note	LYH	E & OE	1/2

Global Connector Technology Ltd. - USB2065: Mini USB Receptacle, Type B, 5 Pin, SMT, Horizontal, With Post



Notes 注意:

- 1.Part Conforms to EIA-481-C Standards 产品符合EIA-481-C标准
- 2.All dimensions in millimeters [inches] 所有尺寸均是毫米[英寸]
- 3.10 sprocket hole pitch cumulative tolerance±0.2mm
- 4.Carrier camber is within 1mm in 100mm 装料带弧:每100mm少于1mm
- 5.Marerial:BLACK Polystyrene. 材料:黑色:聚苯乙烯
- 6.Packing Length Per 22" Reel:36Meters 每22"卷筒包装长度:36米
- 7.Component Load Per 13"Reel:800Pcs 每13"卷筒承载零件:800件

Packing Rules 封装规则:

- 1.Place a hard cardboard at the bottom of outer carton 外箱底部加纸板
- 2.All the labels on REEL should be face-up Reel 标签一律朝上
- 3.Place 10 filled REEL into the water-proof bag 把10卷装好的产品平放防水袋
- 4.Place a hard cardboard on top 上加放纸板
- 5.Stick label on the outer carton 标签贴放箱外

By	LYH	ASE	SA
DETAIL	DRAWING RELEASE	ECN080402B	PACK QTY UPDATE
REV DATE	A 11/07/07	B 02/04/08	C 28/06/10



Tolerances (Except as noted)		Part Number:-	Date:-
Dimensions in mm		USB2065	11 JUL 07
X.X ± 0.35	X.° ± 1°	Description:-	
X.XX ± 0.25	X.X° ± 0.5°	MINI USB RECEPTACLE, TYPE B, 5 PIN, SMT, HORIZONTAL, WITH POST	
X.XXX ± 0.150	X.XX° ± 0.25°	© THIS DRAWING IS CONFIDENTIAL AND MUST NOT BE COPIED OR DISCLOSED WITHOUT WRITTEN CONSENT	
Third Angle Projection		Scale	Revision

GCT

www.globalconnectortechology.com

Scale	Revision	Material	Drawn by	Sheet No.
NTS	C	See Note	LYH	2/2