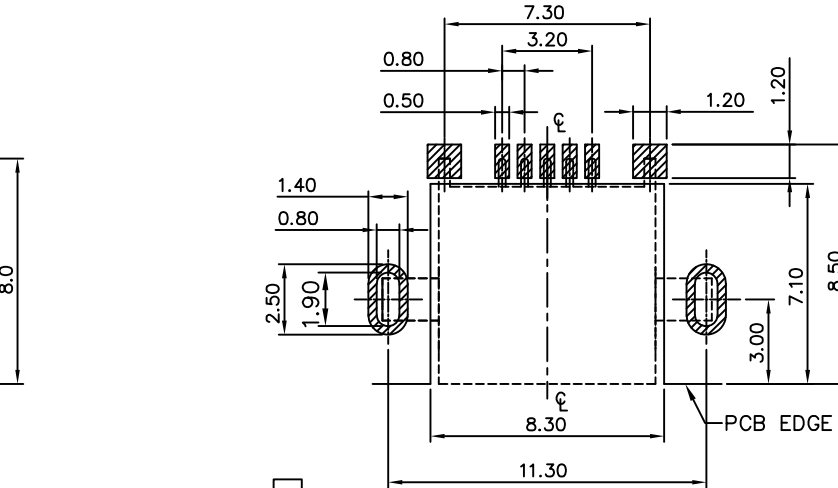
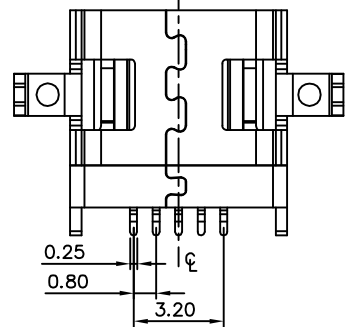
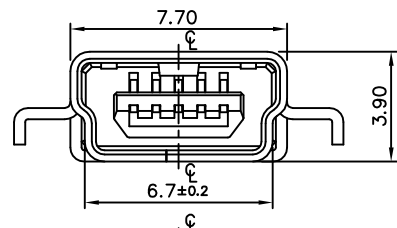
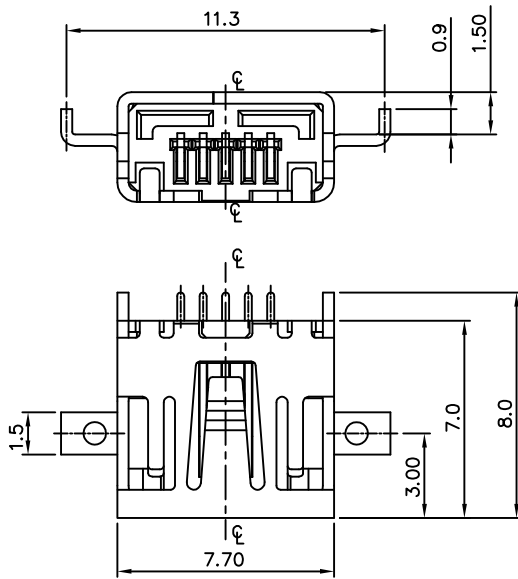


A
B
C
D
E
F
G
H

A
B
C
D
E
F
G
H



RECOMMENDED P.C.B LAYOUT
 GENERAL TOLERANCE: ±0.05
 AS VIEWED FROM COMPONENT SIDE

 Solder Area
 Component Outline

Ordering Grid

USB2055 - 05 - RBHM - 15 - STB - 15 - 01 - A

No. of Contacts
05

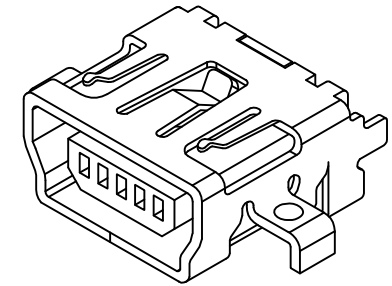
Contact Plating
15 = 15u" Gold

Packing Options
A = Tape & Reel (With Mylar)
(Quantity per Reel: 1200 pcs)

01 = With Post

Offset
15 = 1.5mm

REQUEST SAMPLES AND QUOTATION



Specifications 规格:

Materials & Plating 物料规格:

Plastic Housing 塑胶外壳: High Temp. Thermoplastic, UL94V-0, Black: 高温塑胶, 黑色
 Contact Terminal 接触端子: Phosphor Bronze - 磷青铜
 Metallic Shell 金属外壳: Copper Alloy 铜合金

Plating 电镀规格:

Contact Terminal plating 接触端子部分电镀:
 Underplating 底层电镀: Nickel all over 全部镀镍
 Contact Area 接触部分: 15µ" Gold 镀金15µ"
 Solder Tails 焊接末端: Tin 镀锡
 Metallic Shell plating 金属外壳电镀: Copper Alloy 外壳物料: 铜合金
 Underplating 底层电镀: Nickel all over 全部镀镍
 Solder Tails 焊接末端: Matte Tin 镀雾锡

Electrical 电气规格:

Voltage Rating 电压额定值: 30VDC
 Current Rating 电流额定值: 1A
 Operating Temperature 工作温度: 0°C to +50°C
 Contact Resistance 接触电阻值: 50mΩ Max.
 Insulation Resistance 绝缘电阻值: 100MW Min (Apply 施加100VDC)
 Dielectric Withstanding Voltage 耐电压: No Discharge or Flash 没有放电或火花 (100VAC is applied for 1 min. 施加100VAC共一分钟)

Mechanical 机械性规格:

Mating Force 插入力: 35N (3.57Kg) Max.
 Unmating Force 拔出力: 7N (0.71Kg) Min.
 Contact Retention Force 接触保持力: 35N Min.
 Durability 耐久性: 5,000 Cycles 5000次插拔

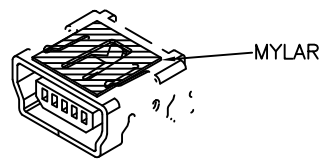
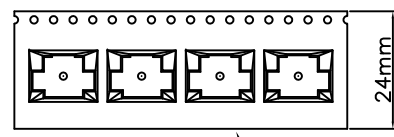
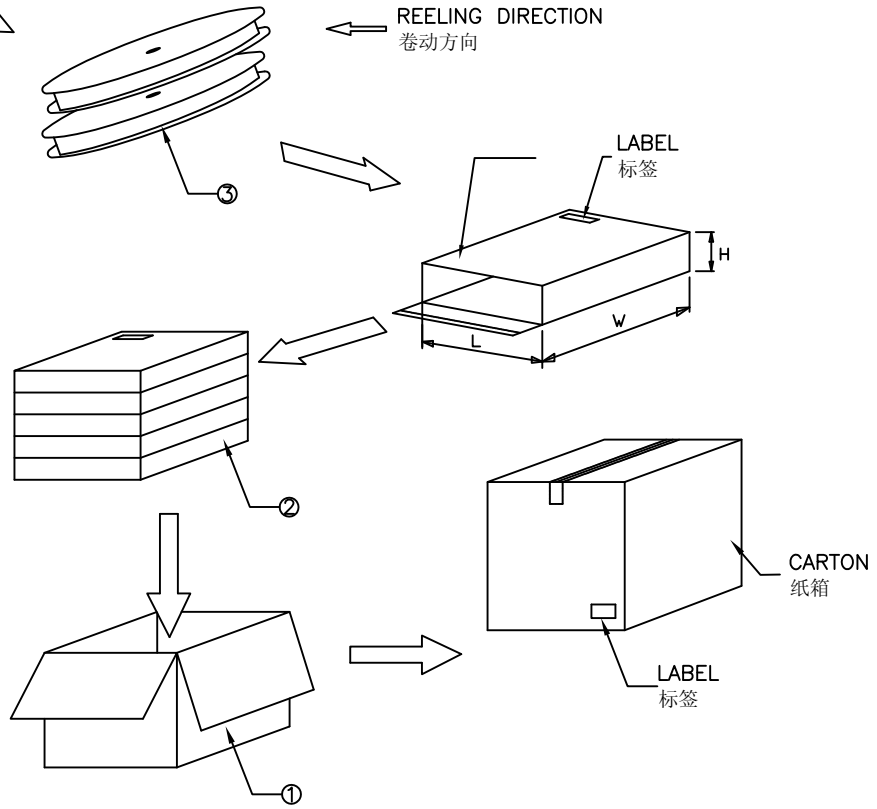
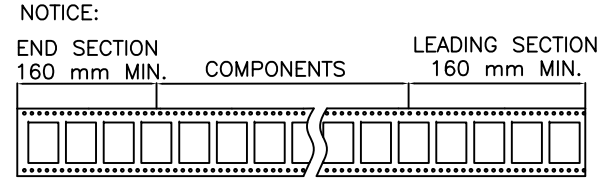
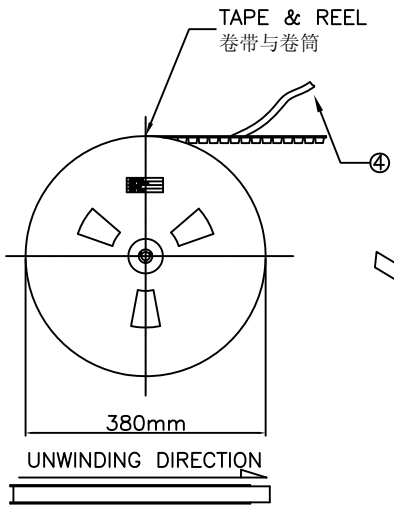
By	LYH
DETAIL	DRAWING RELEASE
REV DATE	A 15/04/07



Tolerances (Except as noted)	Part Number:-	Date:-
Dimensions in mm	USB2055	15 APR 07
X.X ± 0.35 X.X° ± 1°	Description:-	
X.XX ± 0.25 X.X° ± 0.5°	MINI USB RECEPTACLE, TYPE B, 5 PIN, SMT, HORIZONTAL, OFFSET 1.5MM, WITH POST	
X.XXX ± 0.150 X.XX° ± 0.25°	© THIS DRAWING IS CONFIDENTIAL AND MUST NOT BE COPIED OR DISCLOSED WITHOUT WRITTEN CONSENT	
Third Angle Projection	Scale NTS	Revision A

GCT		
www.globalconnectortech.com		
Material See Note	Drawn by LYH	Sheet No. E & OE 1/2

A
B
C
D
E
F
G
H



Note注意:

- Material 物料:
 - REEL 卷筒: PS
 - CARRIER: PS
 - COVER TAPE
- Dimension 尺寸:
 - REEL Size 卷筒大小:
 - DIA 直径 = 380.0mm, W 宽度 = 24.0mm
 - INNER BOX 内箱:
 - L=387mm, W=387mm, H=380mm
 - Carton 纸箱:
 - L=420mm, W=406mm, H=380mm
- Quantity 数量:
 - 1200 PCS/REEL
 - 2 REELS/INNER Box: 2400PCS
 - 5 INNER BOX/CARTON: 12000PCS
 - N.W. 净重: 7KG
 - G.W. 毛重: 13KG

⑤	CARRIER TAPE	PS		5	
④	COVER TAPE	PET		2	
③	REEL ASS'Y	PS		10	
②	INNER BOX	7+A		5	
①	CARTON	K=K		1	
ITEM	DESCRIPTION	MATERIAL	FINISH	Q'TY	NOTE

By	LYH
DETAIL	DRAWING RELEASE
REV DATE	A 15/04/07



Tolerances (Except as noted)	Part Number:-	Date:-
Dimensions in mm	USB2055	15 APR 07
	Description:-	
	MINI USB RECEPTACLE, TYPE B, 5 PIN, SMT, HORIZONTAL, OFFSET 1.5MM, WITH POST	
Third Angle Projection	© THIS DRAWING IS CONFIDENTIAL AND MUST NOT BE COPIED OR DISCLOSED WITHOUT WRITTEN CONSENT	

GCT

www.globalconnectortechology.com

Scale NTS	Revision A	Material See Note	Drawn by LYH	E & OE	Sheet No. 2/2
-----------	------------	-------------------	--------------	--------	---------------