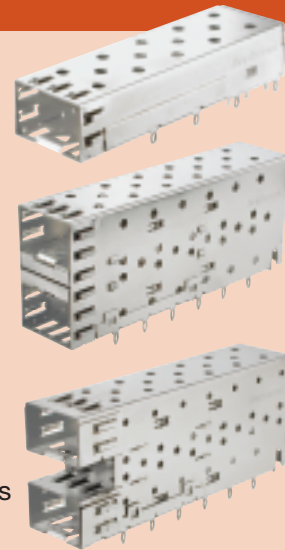


SFP Amphenol's SFP connector series is a 20 position connector and cage combo for mounting to a host PCB with a metal cage enclosing the connector. These connectors are similar to the Gigabit Interface Converter Interface (GBIC), but they are smaller in size and operate at much faster data transfer rates. Amphenol single port version is rated up to 4.125 Gbps data rates and stacked version up to 8 Gbps. They are available in standard RoHS compliant or non-RoHS compliant versions. The cages are a one-piece construction with enhanced transceiver mating tabs presently available in press-fit version, with solder version and longer or shorter pins available as custom options. Amphenol Canada plans to have a full suite of SFP, XFP and next generation pluggable modules connectors and cages available in the near future.

- Fibre Channel
- Gigabit Ethernet
- InfiniBand™

APPLICATIONS

- Servers
- Routers
- Storage Devices
- Switches
- Optical Devices
- Networking Devices



ORDERING INFORMATION

Contact Amphenol for additional options



SFP Electrical Connector

(non-RoHS), U75 - **AXX** - X 000T
(RoHS), UE75

A20 - SFP (20 Position)

CONTACT PLATING

(Mating end / Solder tails)

For U75 (non-RoHS)

1 - 30µ" Gold plating / Sn/Pb plating

4 - 15µ" Gold plating / Sn/Pb plating

For UE75 (RoHS)

2 - 30µ" Gold plating / Gold flash plating

3 - 30µ" Gold plating / Matte tin plating

SFP Single Row Cage

U77 - **AXXX** X - X **XX** X

PORTS (Single Row)

A111 - 1 Port

CAGE MOUNTING

8 - 8 Press Fit Pins

PLATING

1 - Tin Plated

2 - Nickel Plated

PACKAGING

1 - Tray Packaging

T - Tape & Reel Packaging

OPTIONS

00 - Standard

D0 - With Removable Dust Cover

SFP Connector and Cage

(non-RoHS), U78 - **AXXX** X - **XX** X X X
(RoHS), UE78

PORTS (Single Row)

A111 - 1 Port

CAGE MOUNTING

8 - 8 Press Fit Pins

OPTIONS

00 - Standard

D0 - With Removable Dust Cover

PACKAGING

(Connector / Cage)

T - Tape & Reel / Tape & Reel

H - Tape & Reel / Tray Packaging

PLATING FOR CAGE

1 - Tin Plated

2 - Nickel Plated

PLATING FOR CONNECTOR (Mating end / Solder tails)

For U75 (non-RoHS)

1 - 30µ" Gold plating / Sn/Pb plating

4 - 15µ" Gold plating / Sn/Pb plating

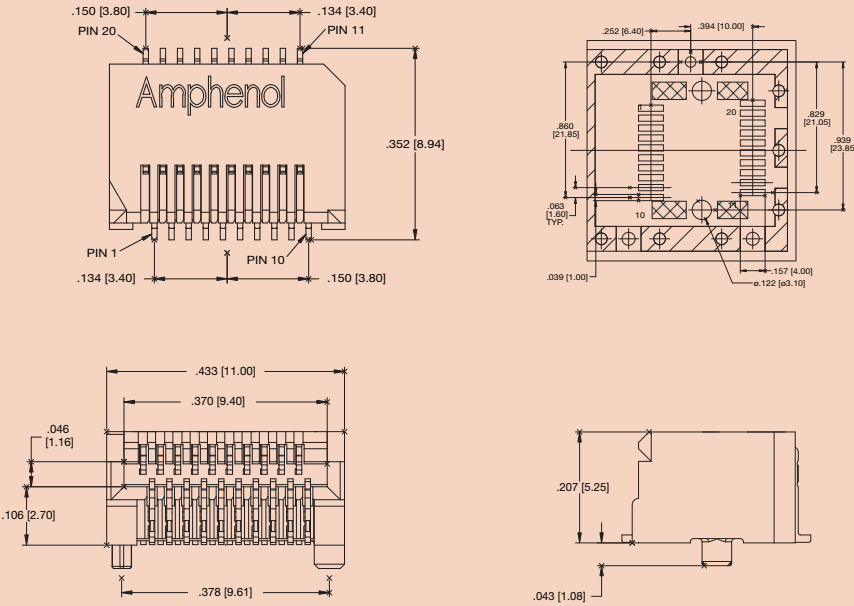
For UE75 (RoHS)

2 - 30µ" Gold plating / Gold flash plating

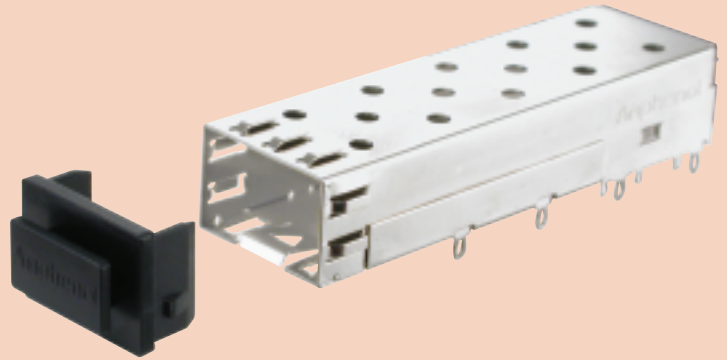
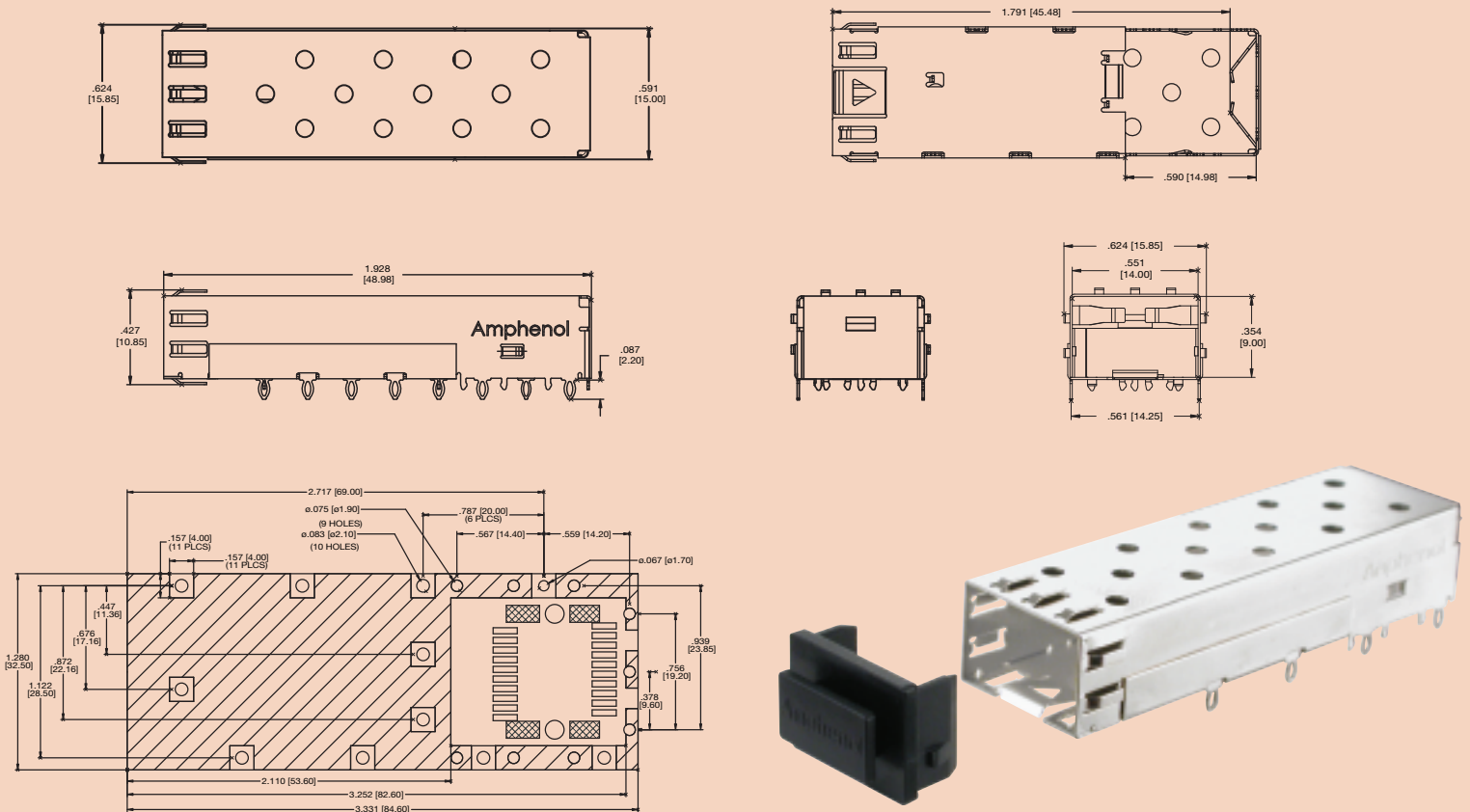
3 - 30µ" Gold plating / Matte tin plating

www.sfpconnectors.com

CONNECTOR, SINGLE



CAGE, SINGLE

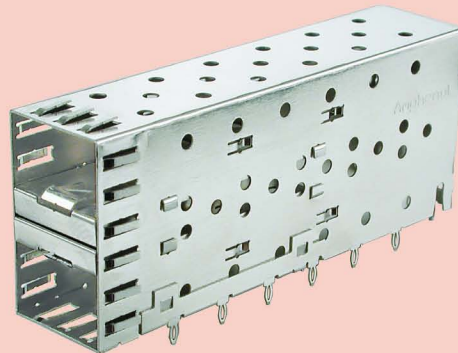


MATERIAL SPECIFICATIONS

Connector	Lead free solder reflow process compatible LCP, UL94V-0 rated, black
Contacts (mating area)	Phosphor bronze; 30µ" or 15µ" gold plating over 50µ" nickel on mating area
Contacts (PCB termination)	Tin-lead plating over 50µ" nickel
Cage	Copper alloy 150µ" nickel plating or 100µ" matte tin plating over 50µ" nickel under plating
Dust Cover	Black thermoplastic

ELECTRICAL AND ENVIRONMENTAL SPECIFICATIONS

Current Rating	0.5 Amps maximum/contact	DWV	300 VAC
Contact Resistance	35mΩ maximum	Operating Temperature	-55°C to +85°C
Insulation Resistance	1000MΩ minimum	Durability	250 mating cycles minimum (for 30µ" gold)
Differential Impedance	100Ω		



ORDERING INFORMATION

Contact Amphenol for additional options

SFP Stacked (cage & connector combo)

U78 - BXX X X - XX X X X

OF PORT ACROSS

- B11 = 1 over 1
- B21 = 2 over 2
- B41 = 4 over 4
- B61 = 6 over 6

MOUNTING STYLE

- 2 = Press Fit

CAGE STYLE

- 6 - Standard (Belly-to-Belly, Standard profile)

OPTIONS

- 00 - Standard
- 0D - With Removable Dust Cover

PACKAGING

- 1 - Tray

PLATING FOR CAGE

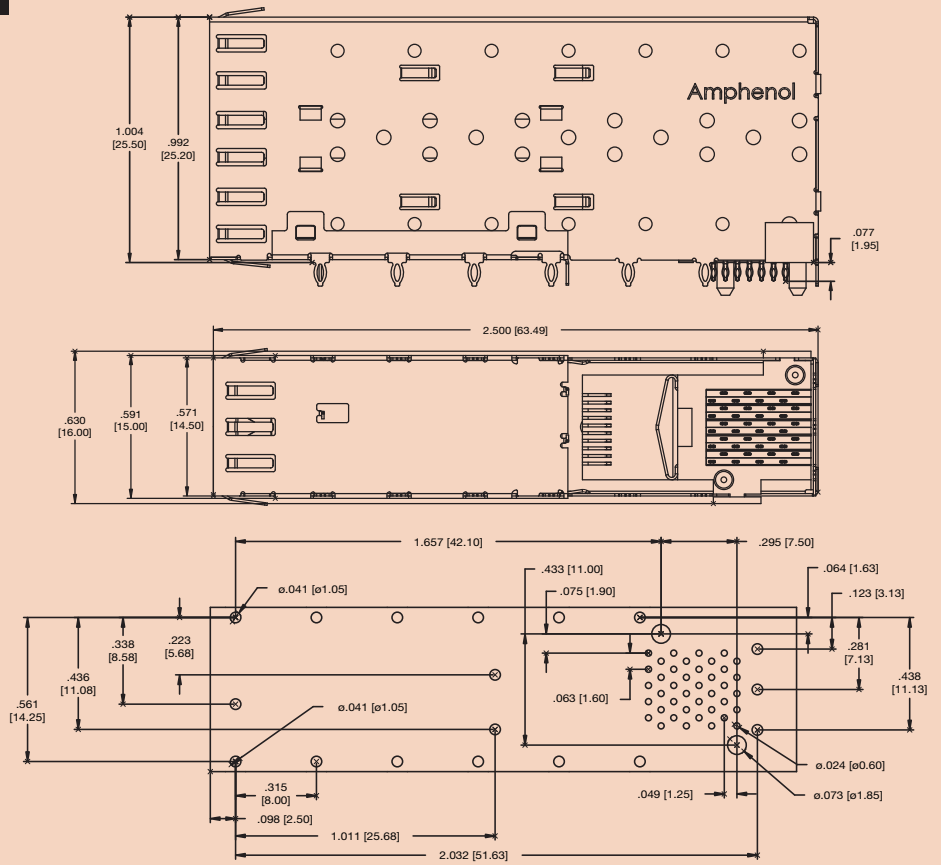
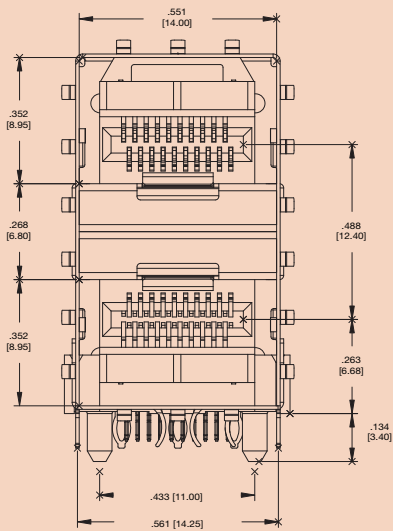
- 1 - Tin Plated
- 2 - Nickel Plated

PLATING FOR CONNECTOR

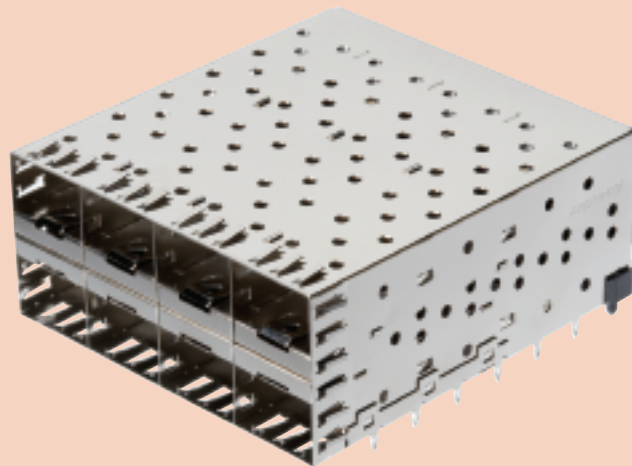
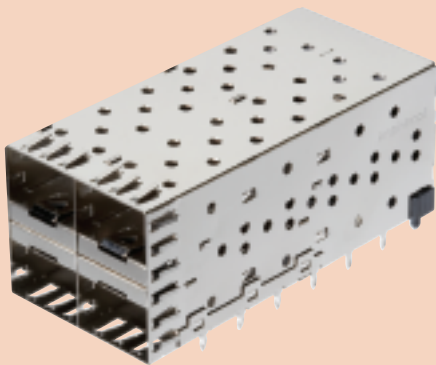
- (Mating End/Press Fit Terminations)
- 1 - 30µ" Gold plating / Sn/Pb plating
 - 4 - 15µ" Gold plating / Sn/Pb plating

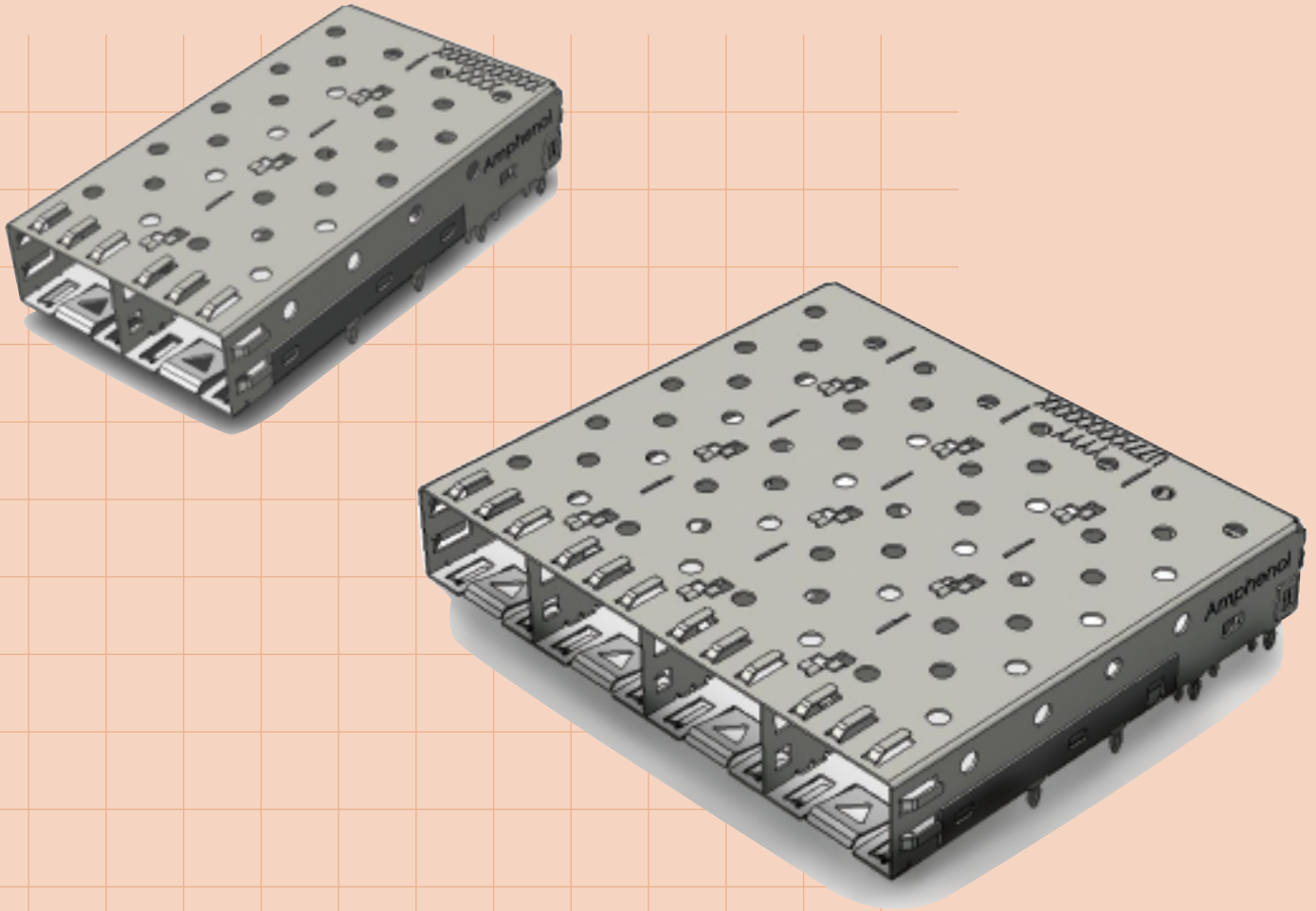
www.sfpconnectors.com

2x1 STANDARD BELLY-TO-BELLY



2xN STACKED MULTI-PORT





For custom designs contact Sales.

www.sfpconnectors.com