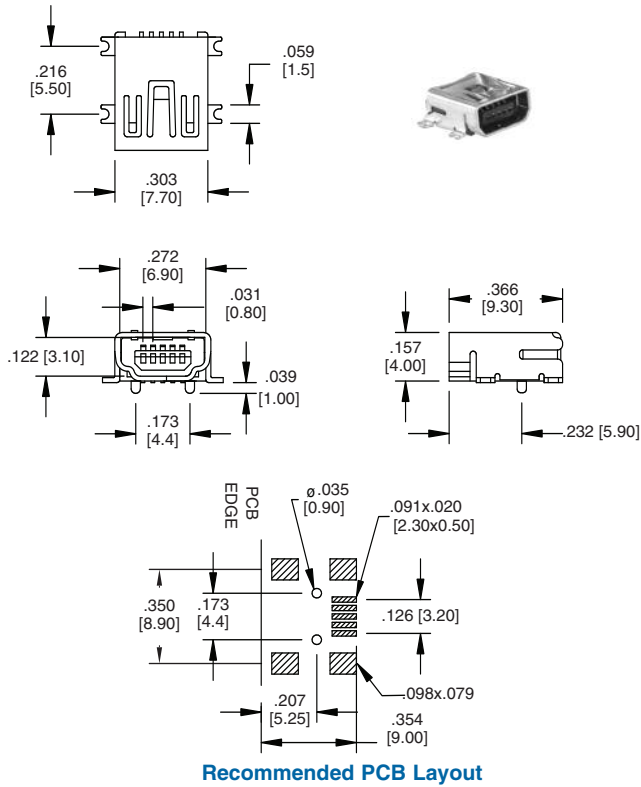
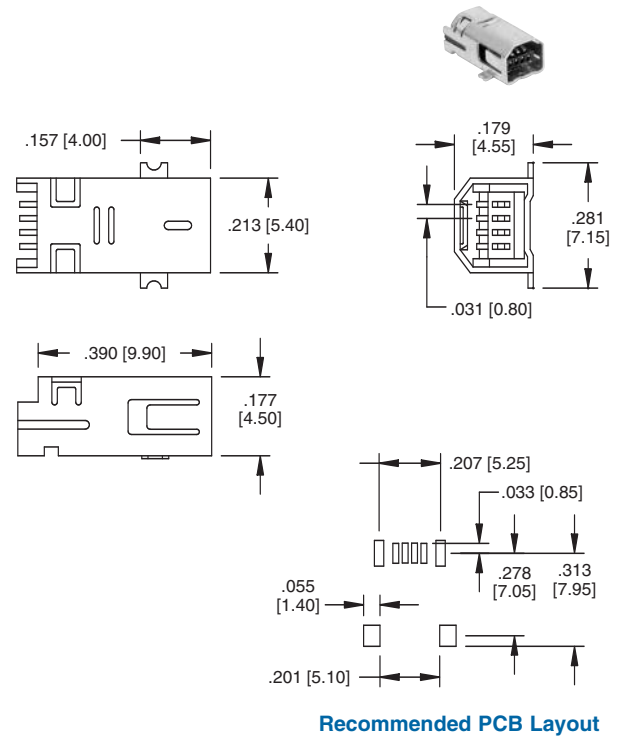


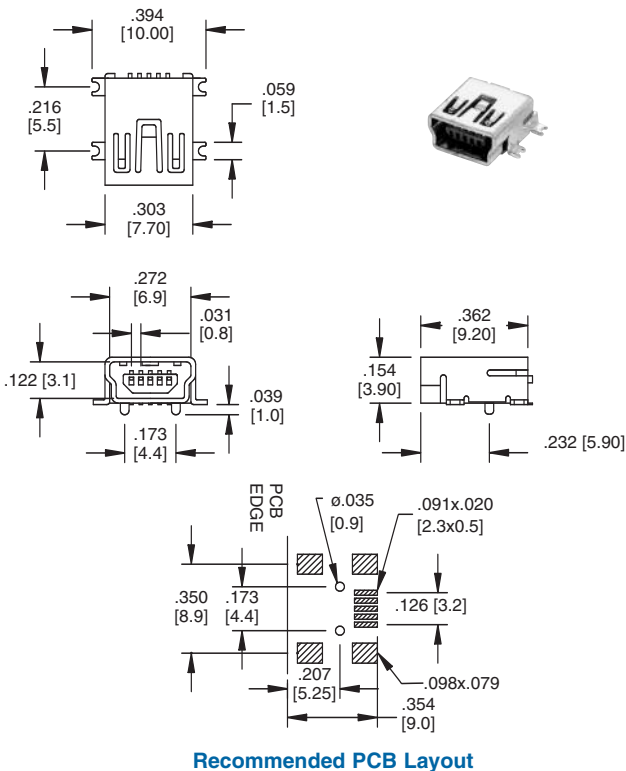
MUSB-A-S-RA-TSMT



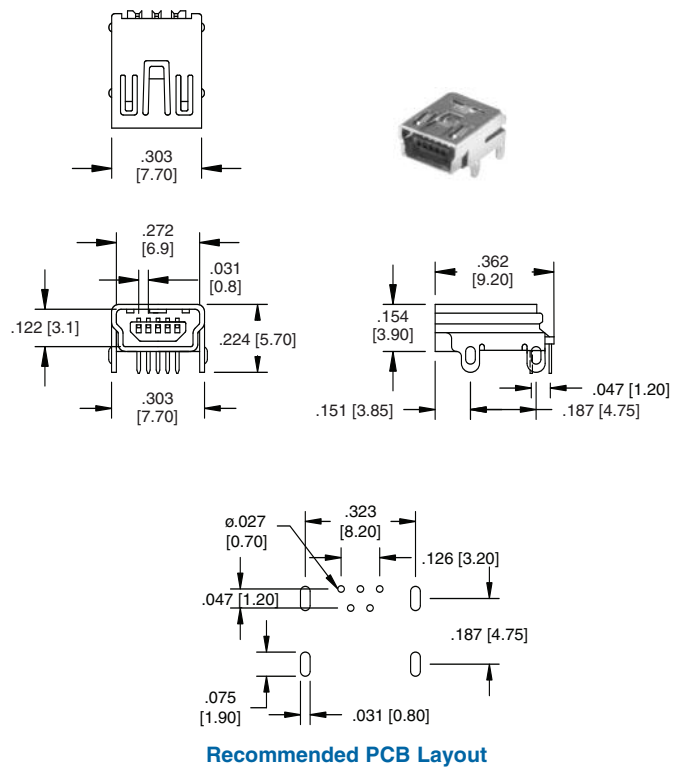
MUSB-B4-S-RA-TSMT



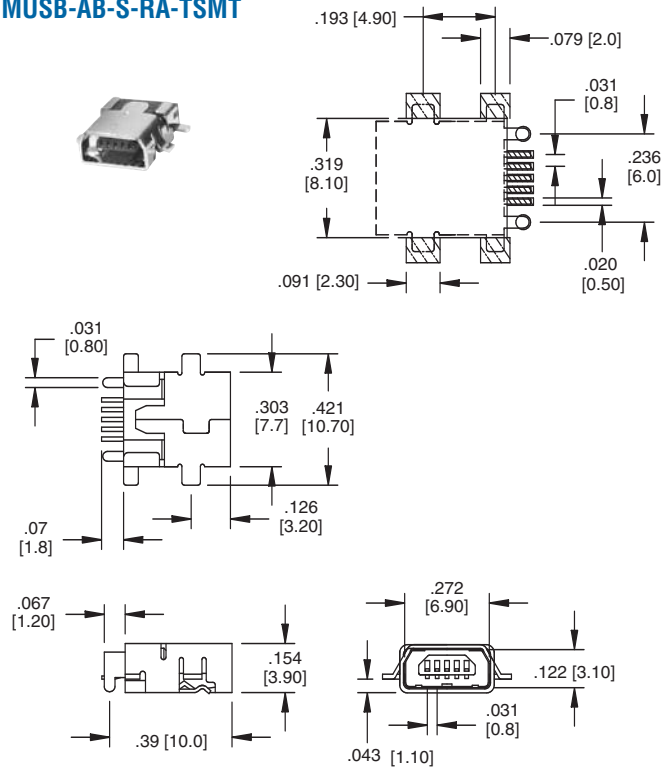
MUSB-B5-S-RA-TSMT



MUSB-B5-S-RA

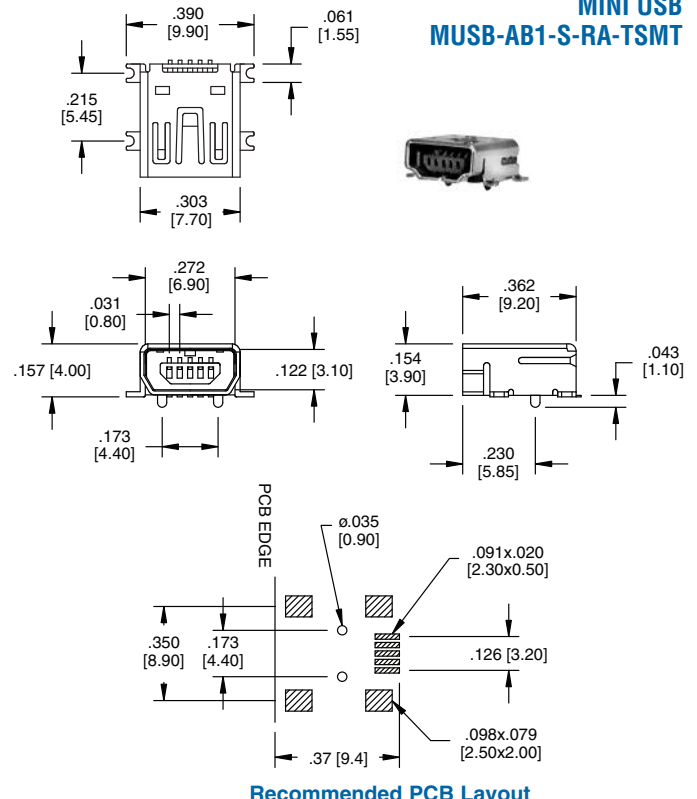


MINI USB MUSB-AB-S-RA-TSMT



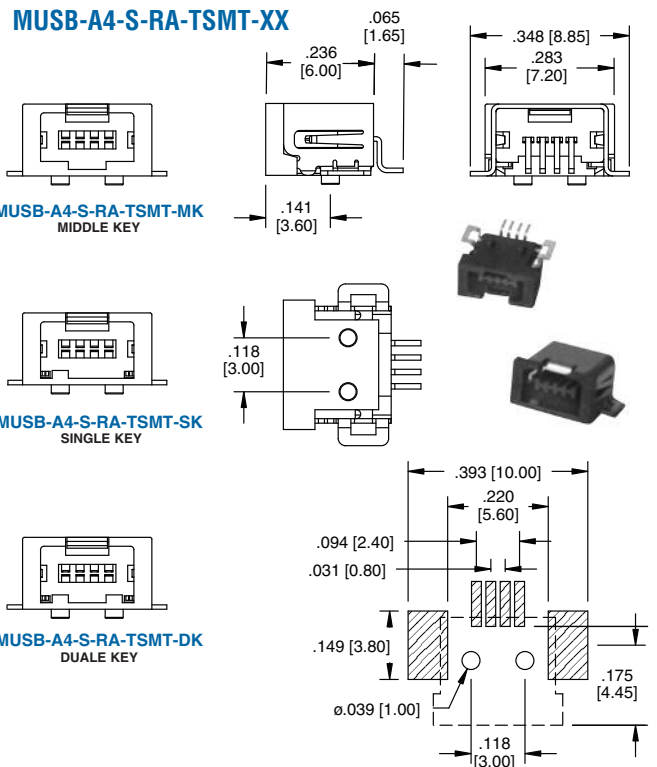
Recommended PCB Layout

MINI USB MUSB-AB1-S-RA-TSMT



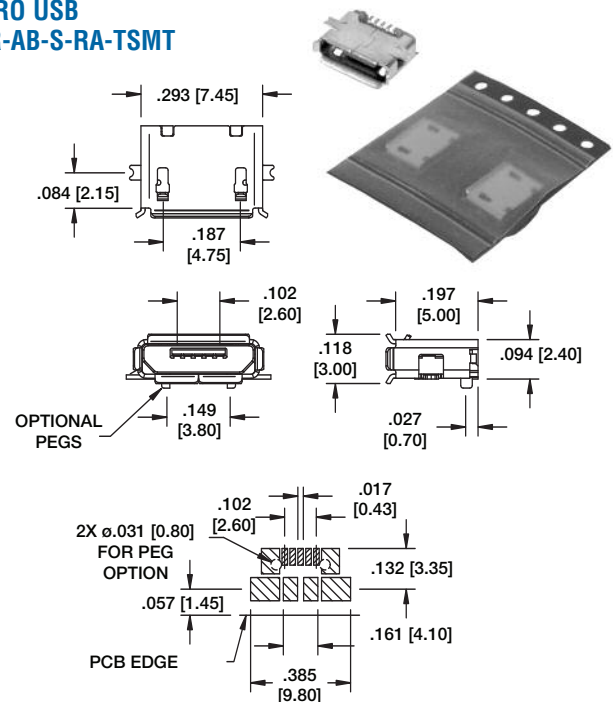
Recommended PCB Layout

MUSB-A4-S-RA-TSMT-XX



Recommended PCB Layout

MICRO USB MCR-AB-S-RA-TSMT



Recommended PCB Layout