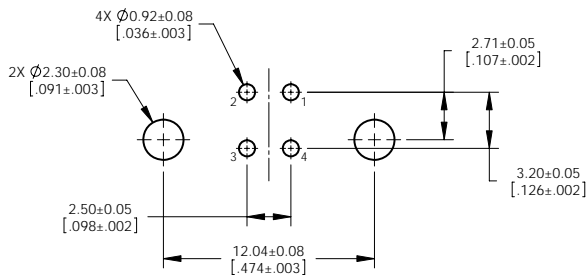
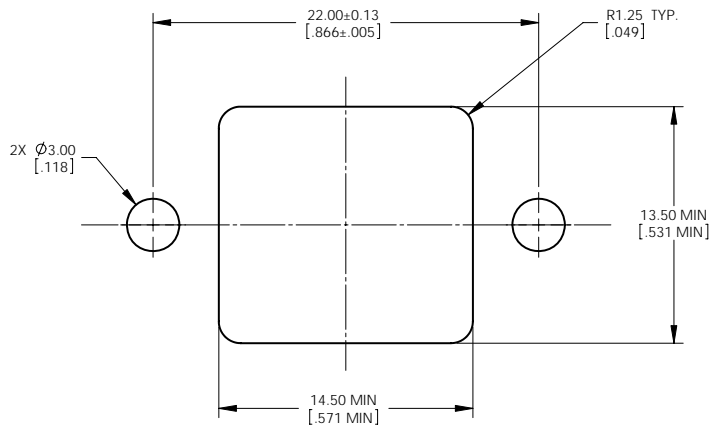


REVISIONS			
REV	ECN, ERN NO.	DATE	APPRD.
B	PROPOSAL	AUG23/07	K.L.



RECOMMENDED P.C.B. LAYOUT
(VIEW FROM RECEPTACLE SIDE)



RECOMMENDED PANEL CUTOUT



DO NOT SCALE DRAWING
THIS DOCUMENT CONTAINS PROPRIETARY INFORMATION AND SUCH INFORMATION MAY NOT BE DISCLOSED TO OTHERS FOR ANY PURPOSE OR USED FOR MANUFACTURING PURPOSES WITHOUT PERMISSION FROM AMPHENOL CANADA CORP.

UNLESS OTHERWISE SPECIFIED: DIMENSIONS ARE IN MILLIMETERS DECIMALS ARE:	APPROVALS	DATE	Amphenol Canada Corp.
$X \pm .10$ $X \pm .05$	DESIGNED BY: A DODDS	JUL19/07	MUSB SERIES RUGGED USB RECEPTACLE, SERIES 'B' INTERFACE, VERTICAL PCB MOUNT, #4-40 THREAD, ROHS COMPLIANT
SEE NOTE 1 & 2	CHECKED BY: K LAMBE	JUL20/07	
ENG: EAR 13139	DATE: 6.1	REV: B	P-MUSB-D511-00
CODE GEN: 10	ISSUED: 6.1	1	MUSB 2 OF 2