

REV.	ZONE	LTR	DESCRIPTION	DATE	REVISER	APPD

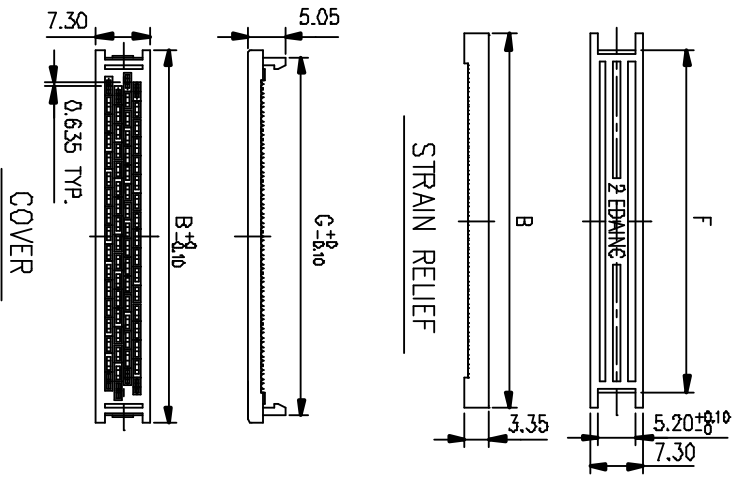
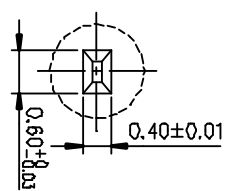
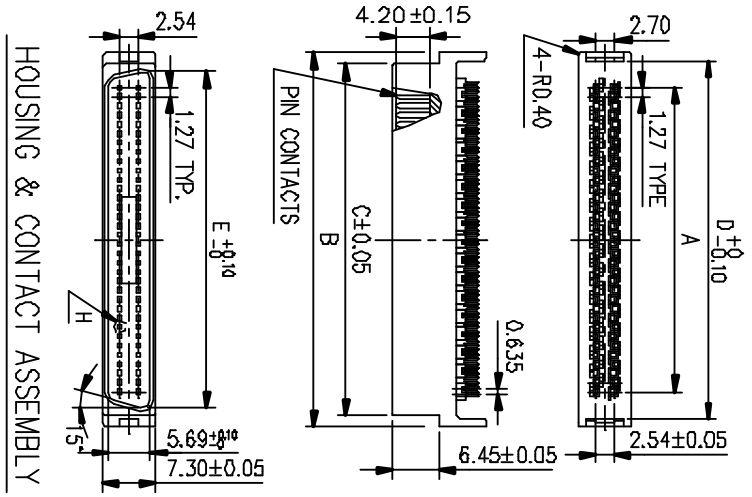
ORDERING INFORMATION

BE 068 P - 3 0 0 0 0 0  
 (1) (2) (3) (4) (5) (6) (7) (8)

1. SERIES NUMBER :

BE : HIGH DENSITY 127(.050") SPACING MINI CONNECTOR  
 FLAT CABLE I.D.C. TYPE 0.635(.025")  
 (FOR 30 AWG WIRE OR WIRE DIAMETER  
 0.45 - 0.60 mm )

- NO OF CONTACTS :  
EX 068 : 68 POSITIONS
  - CONTACT TYPE :  
P : PLUG S : SOCKET
  - COLOR (INSULATOR)  
3 : BLACK
  - CONTACT FINISH :  
0 : SELECTIVE GOLD FLASH OVER 30 μ NICKEL  
2 : 15 μ SELECTIVE GOLD OVER 50 μ NICKEL  
3 : 50 μ SELECTIVE GOLD OVER 50 μ NICKEL
  - METAL SHELL FINISH :  
0 : ALL PLASTIC
  - TIN PLATED SHELL, WITH GROUNDING INDENTS
  - TIN PLATED SHELL, W/O GROUNDING INDENTS
  - NICKEL PLATED SHELL, W/O GROUNDING INDENTS
  - NICKEL PLATED SHELL, WITH GROUNDING INDENTS
7. SCREW TYPE :  
0 : NONE, 1 : 4-40 UNC, 2 : 2-56 UNC, 3 : M2.6X.45
8. BLACKET TYPE  
D : NONE  
1 : WITHOUT RAILS, WITH LATCH BLOCKS  
2 : WITH RAILS & LATCH BLOCKS  
3 : WITHOUT RAILS & LATCH BLOCKS



SPECIFICATION -

- INSULATOR MATERIAL : PBT WITH GLASS-FIBER REINFORCED UL 94V-0
- CONTACT MATERIAL : PHOSPHOR BRONZE , GOLD OVER NICKEL
- RATED CURRENT : 1A
- INSULATION RESISTANCE : 500MΩ MIN. AT 500V DC.
- CONTACT RESISTANCE : 35mΩ MAX.
- DIELECTRIC WITHSTANDING VOLTAGE : AC 250V FOR 1 MINUTE.
- OPERATING TEMPERATURE : -55°C - +105°C.

MATERIAL	TOLERANCE UNSPECIFIED	BE068P - *****	PART NO.
FINISH	± 0.25		
ANGLE	± 1°		

DESIGNER	NAME	SCALE	UNIT
PERRY	曹長成	1.4 : 1	MM
CHECKED	BE SERIES 68PIN SCSI-III H.D. UNSHIELDED PLUG ASSEMBLY (IDC TYPE 0.635(.025"))		
APPROVED	DRAWING NO		
JOHN	R-S108E-0		