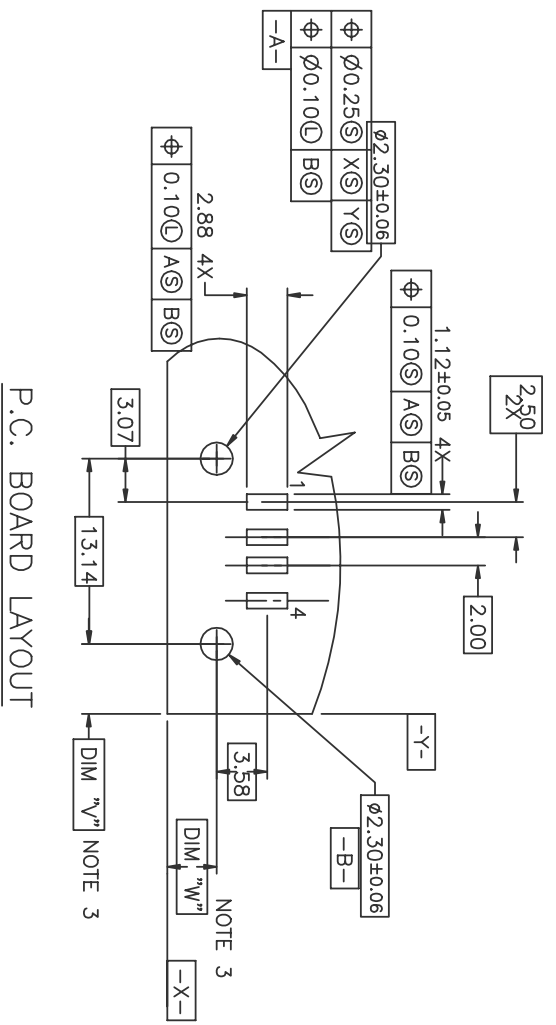
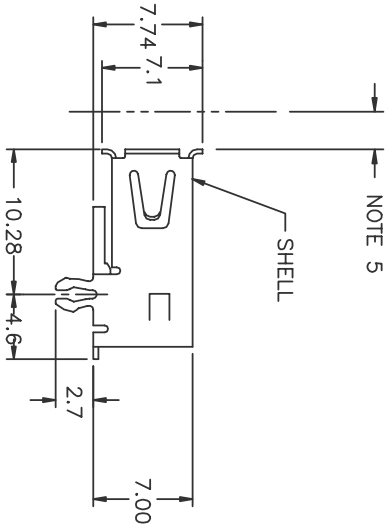
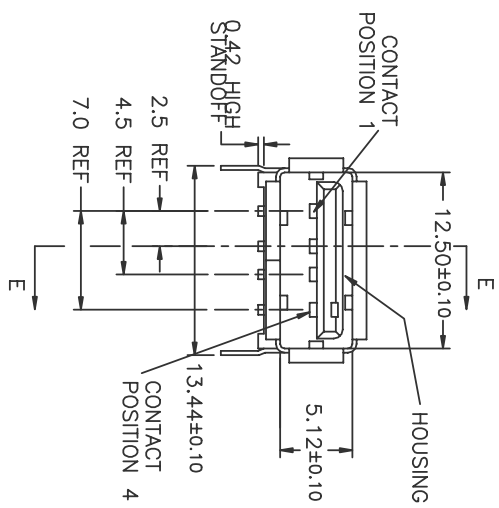
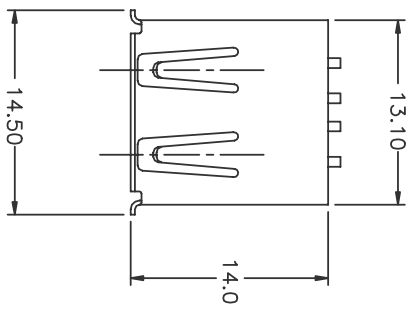


PRODUCT NO.
SEE PRODUCT NUMBER CODE



P.C. BOARD LAYOUT

- NOTES:
1. MATERIAL: CONTACTS: COPPY ALLOY
SHELL: COPPY ALLOY
HOUSING: UL 94V-0 RATED THERMOPLASTIC
 2. PLATING: CONTACTS: SEE P/N CODE
 3. SHELL: 2.5µm BRIGHT TIN OVER NICKEL UNDERPLATE
DATUM AND BASIC DIMENSIONS ESTABLISHED BY CUSTOMER
 4. RECOMMENDED PC BOARD THICKNESS OF 1.57mm
 5. 2.67mm MAXIMUM PANEL THICKNESS IF MOUNTED BEHIND PANEL
 6. PRODUCT SPEC GS-12-095 & PACKAGING SPEC GS-14-393.
 7. COMPLETED WITH USB 2.0 & TID NUMBER 60000205.
 8. 87583-1010XX, AND -3010XX DURABILITY MEET 10000 CYCLES
87583-5010XX DURABILITY MEET 5000 CYCLES. THE OTHER DASH NUMBER MEET USB 2.0 DURABILITY 1500 CYCLES
(TO BE CONTINUED ON PAGE 3)

mat'l code	NOTE 1 & 2		tolerances unless otherwise specified		CUSTOMER COPY	title	product family	code
ltr ecn no	dr	date	X ±.30	.XX ±.20	projection	UNIV. SERIAL BUS S.M. RECEPTACLE	USB	
N N05-0031	PH	02/14/05						
P N05-0068	PH	03/09/05		XXX ±.10				
R N05-0089	PH	03/24/05		0° ±2°				
S N06-0133	HB	05/22/06						
T N06-0258	HB	10/11/06						
M T04-0206	WL	05/13/04				JENN TSKO		
sheet	revision	T	P	N	scale			sheet
index	sheet	1	2	3				1 of 3

form no. 7530-001-103

1 2

3

code code
22526

4

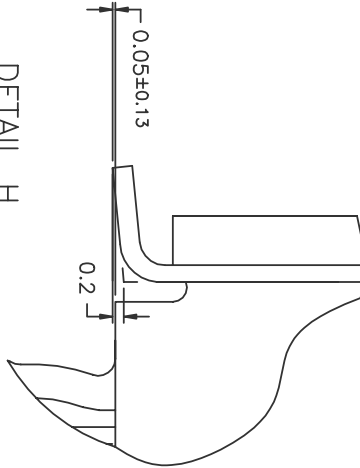
1 2

3

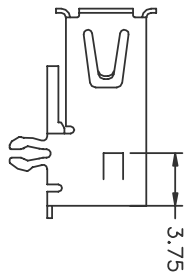
4



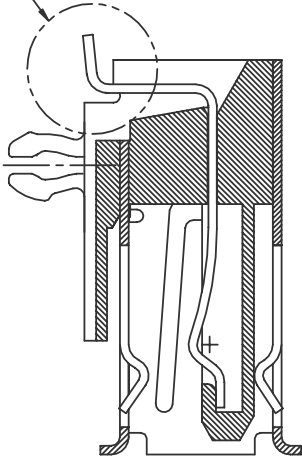
PRODUCT NO.
 SEE PRODUCT NUMBER CODE



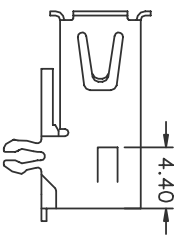
DETAIL H
 SCALE 4X



MEET DURABILITY 1500 CYCLES P/N:
 87583-0010XX, -2010XX, -4010XX



SECTION E-E
 SCALE 2X



MEET DURABILITY 5000 OR 10000 CYCLES P/N:
 87583-1010XX, -3010XX, -5010XX

form no. 7530-001-103

1 | 2

3

4

mat'l code	NOTE 1 & 2	dr	date	tolerances unless otherwise specified	CUSTOMER COPY	title	code
P				.XX ±.20 .XXX ±.10 0° ±2°	projection	UNIV. SERIAL BUS S.M.	
				PETER PAM 3/18/98	mm	RECEPTACLE	USB
				R Y LUU 3/18/98	scale		
				JENN TSAO 3/18/98	2:1		
sheet	revision						sheet
index	sheet						2 of

code code
 22526



www.fcjconnect.com

1 | 2

3

4



PRODUCT NUMBER CODE

1 | 2 | 3 | 4

BASE PRODUCT NUMBER 87583 - X X X X X P A LF

HOUSING COLOR OPTIONS

- 0 - WHITE+TIN OVER NICKEL UNDERPLATE
- 1 - BLACK+TIN OVER NICKEL UNDERPLATE
- 2 - WHITE+SHELL Ni; PLATING ONLY
- 3 - BLACK+SHELL Ni; PLATING ONLY
- 4 - WHITE+SHELL Ni; PLATING & TIN LEAD ON PEGS;
WHITE+SHELL Ni; PLATING FOR LEAD FREE OPTION
- 5 - BLACK+SHELL Ni; PLATING & TIN LEAD ON PEGS;
BLACK+SHELL Ni; PLATING FOR LEAD FREE OPTION

SHELL OPTION
0 - NO BACK SHIELD

MOUNTING HOLE OPTIONS
1 - NONE

TERMINAL PLATING OPTION
0 - 50u" Ni UNDERPLATE
30u" GXT CONTACT AREA
100u" TIN/LEAD TAIL AREA

PACKAGING OPTIONS
B - TUBES
R - TAPE & REEL

DATE CODE

FOR AUTOMOTIVE APPLICATION

LEAD FREE OPTION _____
 IF LEAD FREE OPTION SELECTED, ALL ORIGINAL TIN/LEAD PLATING
 IS CHANGED TO PURE TIN PLATING

(CONTINUE)

- 9. P/N'S WITH SUFFIX "LF" ARE LEAD FREE P/N'S
- 10. FOR LEAD FREE P/N, THE PRODUCT MEET EUROPEAN UNION DIRECTIVES AND OTHER COUNTRY REGULATION AS DESCRIBED IN GS-22-008
- 11. THE HOUSING WILL WITHSTAND EXPOSURE TO 260°C PEAK TEMPERATURE FOR 40 SECONDS IN A CONVECTION, INFRO-RED OR VAPOR PHASE REFLOW OVEN.
- 12. FOR AUTOMOTIVE APPLICATION: ALL THE TOLERANCES "XX" ARE ±0.10 UNLESS OTHER SPECIAL NOTIFICATION

mat'l code	NOTE 1 & 2	dr	date	tolerances unless otherwise specified	CUSTOMER COPY	projection	title	product family	code
ltr	ecr no			X ±.30			UNIV. SERIAL BUS S.M.	USB	
P				.XX ±.20			RECEPTACLE		
				.XXX ±.10					
				0° ±2°					
				PETER 3/18/98					
				R Y LUU 3/18/98					
				engr 3/18/98					
				chr R Y LUU 3/18/98					
				pppd JENN TSAO 3/18/98					
sheet	revision								
index	sheet								

form no. 7530-001-103 1 | 2 3 | 4