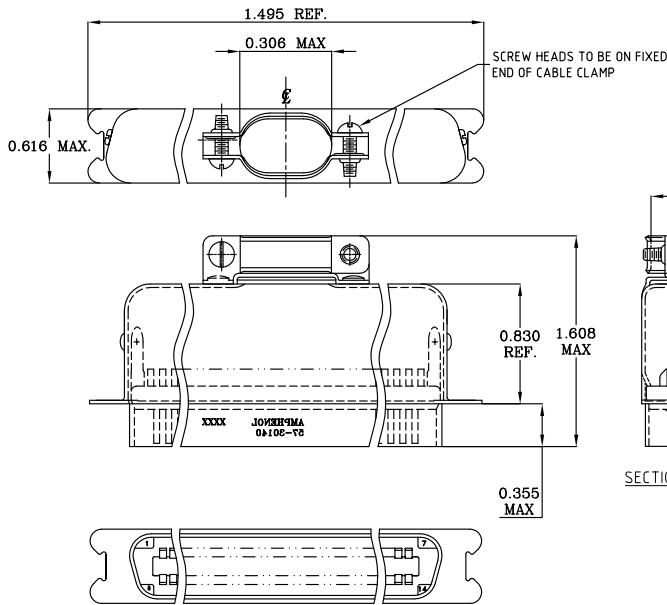


This document is the property of Amphenol Corporation and is delivered on the express condition that it is not to be disseminated, reproduced or used, in whole or in part, for manufacture or sale, for anyone other than Amphenol Corporation without the prior consent. All right is granted for inspection or to use any information in this document.



REVISIONS				
SYM	ECH	DESCRIPTION	DATE	APPROVED
A	HK	PRELIMINARY RELEASE	12/24/02	Y.M.LEE
B	HK#	ADD CHOP OF ROHS	12/14/05	IP



TABLE 1

CONNECTOR SIZES	AVERAGE MATING FORCE (POUNDS)
14	5
24	8
36	12
50	15
64	19

**SPECIFICATIONS:**

- 1) SOLDER CUP CONTACT: TO ACCOMMODATE 22-30 AWG SOLID AND 24-30 STRANDED CONNECTOR WIRES.
- 2) DIELECTRIC: DIALYL-PHTHALATE PER MIL-M-14F TYPE MDG UL-94V0
- 3) CONTACT MATERIAL: COPPER ALLOY
- 4) CONTACT: 20 MICRO-INCHES MIN. GOLD MATING AREA: 3-5 MICRO-INCHES GOLD TERMINAL AREA: 50 MICRO-INCHES MIN. NICKEL UNDERPLATING ALL OVER.
- 5) SHELL MATERIAL: ZINC PLATED STEEL.
- 6) CURRENT CAPACITY: 5 AMPS/CONTACT
- 7) VOLTAGE RATING: 700 VOLTS D.C. AT SEA LEVEL  
200 VOLTS D.C. AT 70,000 FEET
- 8) INSULATION RESISTANCE: >5000 M OHM

- 9) DIELECTRIC WITHSTANDING VOLTAGE: 1200 VAC (RMS) AT SEA LEVEL
- 10) CONNECTOR MATING FORCE: REFER TO TABLE 1.
- 11) CONTACT RETENTION FORCE: 2 LBS MAX.
- 12) DURABILITY: 250 CYCLES MIN.
- 13) VIBRATION: NO INTERRUPTIONS < 1u SEC.
- 14) OPERATING TEMPERATURE: -55°C TO +105°C (-67°F TO +221°F)

**CUSTOMER INFORMATION DRAWING**

ITEM NO	PART OR IDENTIFICATION NO	NAME/DESCRIPTION OR DESCRIPTION	QTY REC'D
PARTS LIST			
UNLESS OTHERWISE SPECIFIED TOLERANCES		APPROVAL	DATE
U.S.		DRAWN XS.GUO	12/14/05
METRIC		CHECKED	
.X +/- 0.020		CHECKED	
.XX +/- 0.010			
.XXX +/- 0.005			
FRACTIONS +/-			
ANGLES +/- 1°			
FOR MATERIALS AND FINISHES SEE NOTES		DRAWING FILE :	TITLE
REMOVE SHARP EDGES		\\DRAWING\157\CS730140.DWG	14 CONTACT SIZE MICROPIERCE CABLE MOUNT PLUG ASSEMBLY
DIMENSIONS		ANGLE OF PROJECTION	SIZE DRAWING NO.
U.S. INCHES			A3 C57-30140
-(METRIC)-			SCALE NONE
			REV. B
			SHEET 1 OF 1