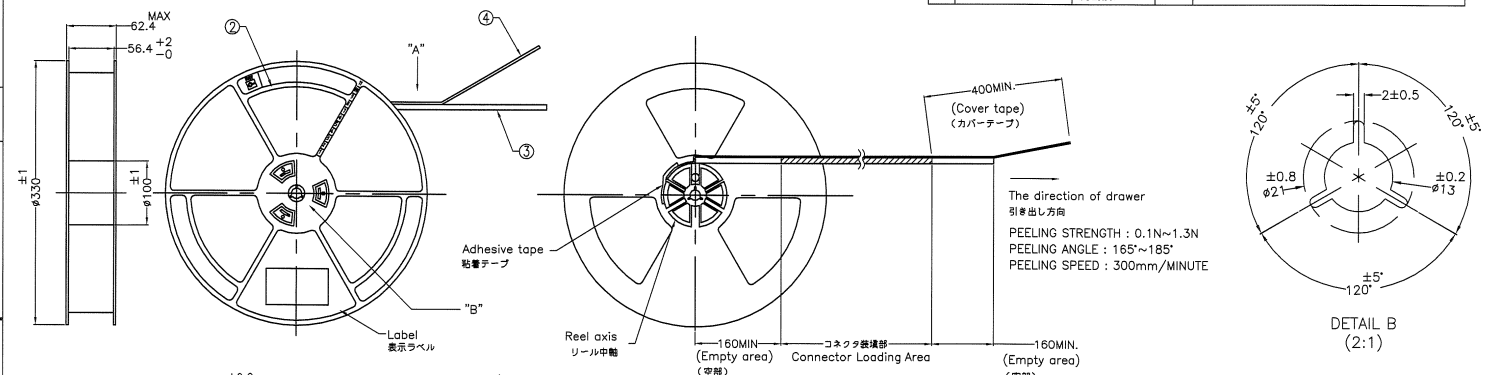


PRODUCT NO.	① CONNECTOR	QTY
10085304-2001ELF	10085304-2001ALF	600
10085304-4001ELF	10085304-4001ALF	600
10085304-4101ELF	10085304-4101ALF	600

EMBOSS PACKAGE

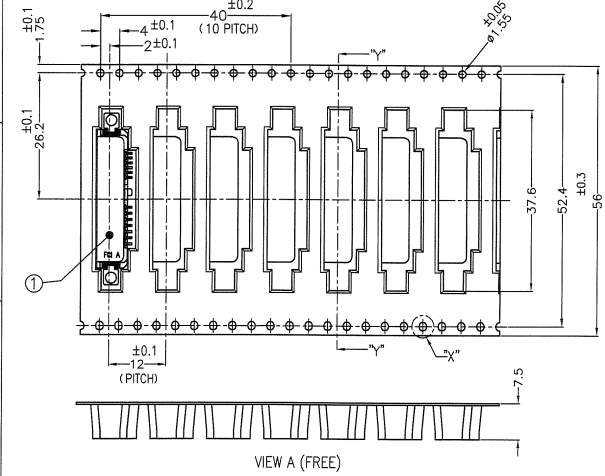
PARTS TABLE 部品表

No.	PART NAME 部品名	MATERIAL 材質	QTY.	NOTE 備考
①	CONNECTOR コネクタ	SEE SHEET 2	600	
②	THE REEL FOR PACKAGING 巻取用リール	POLYSTYRENE ポリスチレン	1	Color: BLACK or BLUE, ELECTRIFICATION PREVENTION PROCESSING 色:黒または青、帯電防止処理品
③	EMBOSS TAPE エンボステープ	PET	1	ELECTRIFICATION PREVENTION PROCESSING 帯電防止処理品
④	COVER TAPE カバーテープ	POLYESTER ポリエステル	1	



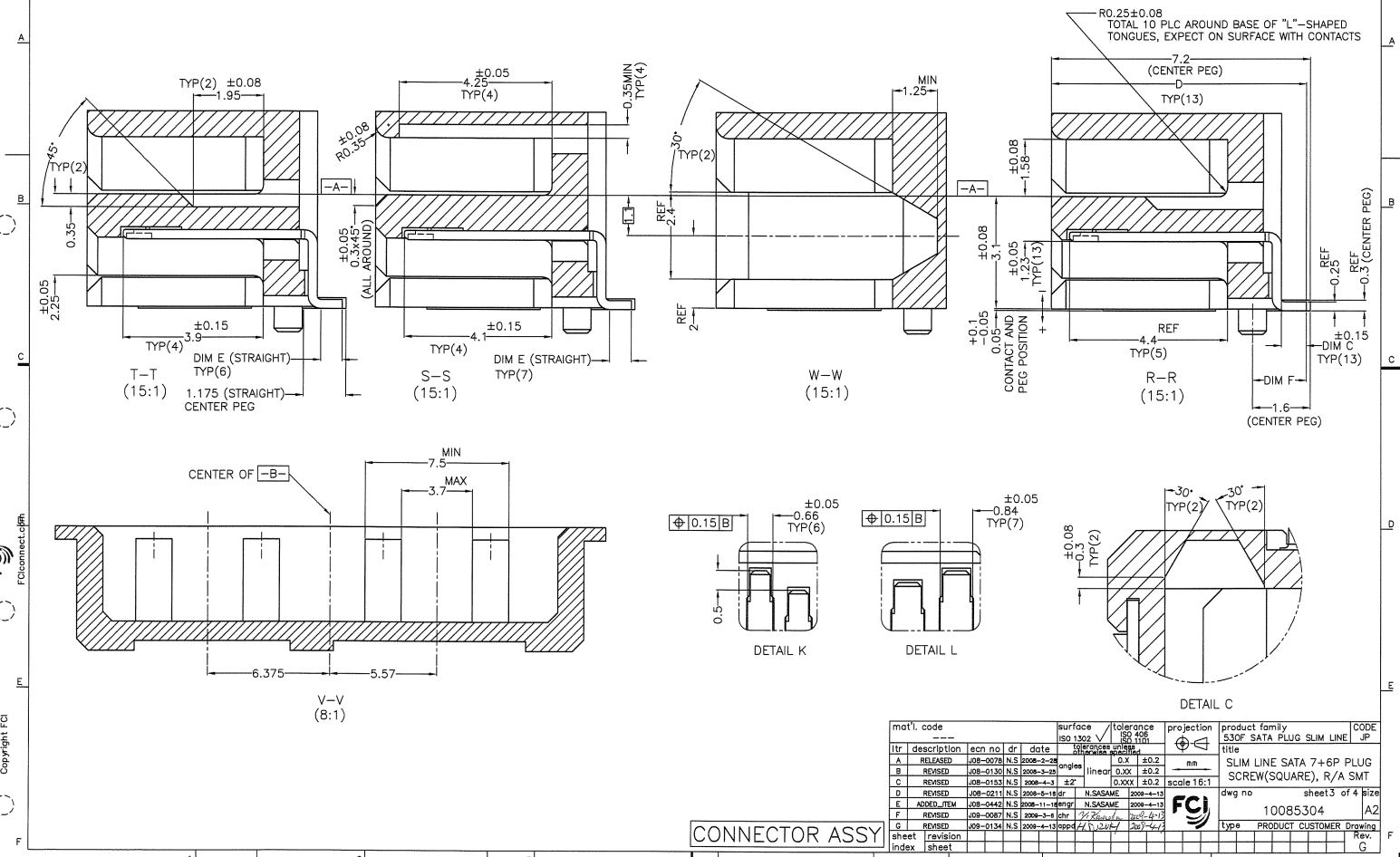
- NOTE
- THIS ARTICLE CARRIES OUT THE EMBOSS TAPE PACKAGE OF THE SLIM LINE SATA CONNECTOR.
 - THE SHAPE AND DIMENSION OF THIS ARTICLE ARE BASED ON JIS C 0806.
(TAPING OF ELECTRIC PARTS< SURFACE MOUNTED DEVICE)
 - PACKAGING SPEC. : REFER TO GS-14-1268
 - PRODUCT SPEC. : REFER TO GS-12-543

- 注記
- 本品はスリムラインシリアルエーティーエーコネクタをエンボステープ梱包したものである。
 - 本品の形状及び寸法規定は JIS C 0806 (電子部品のテーピング (表面実装部品)) に準拠する。
 - 梱包規格は GS-14-1268 を参照のこと
 - 製品規格は GS-12-543 を参照のこと

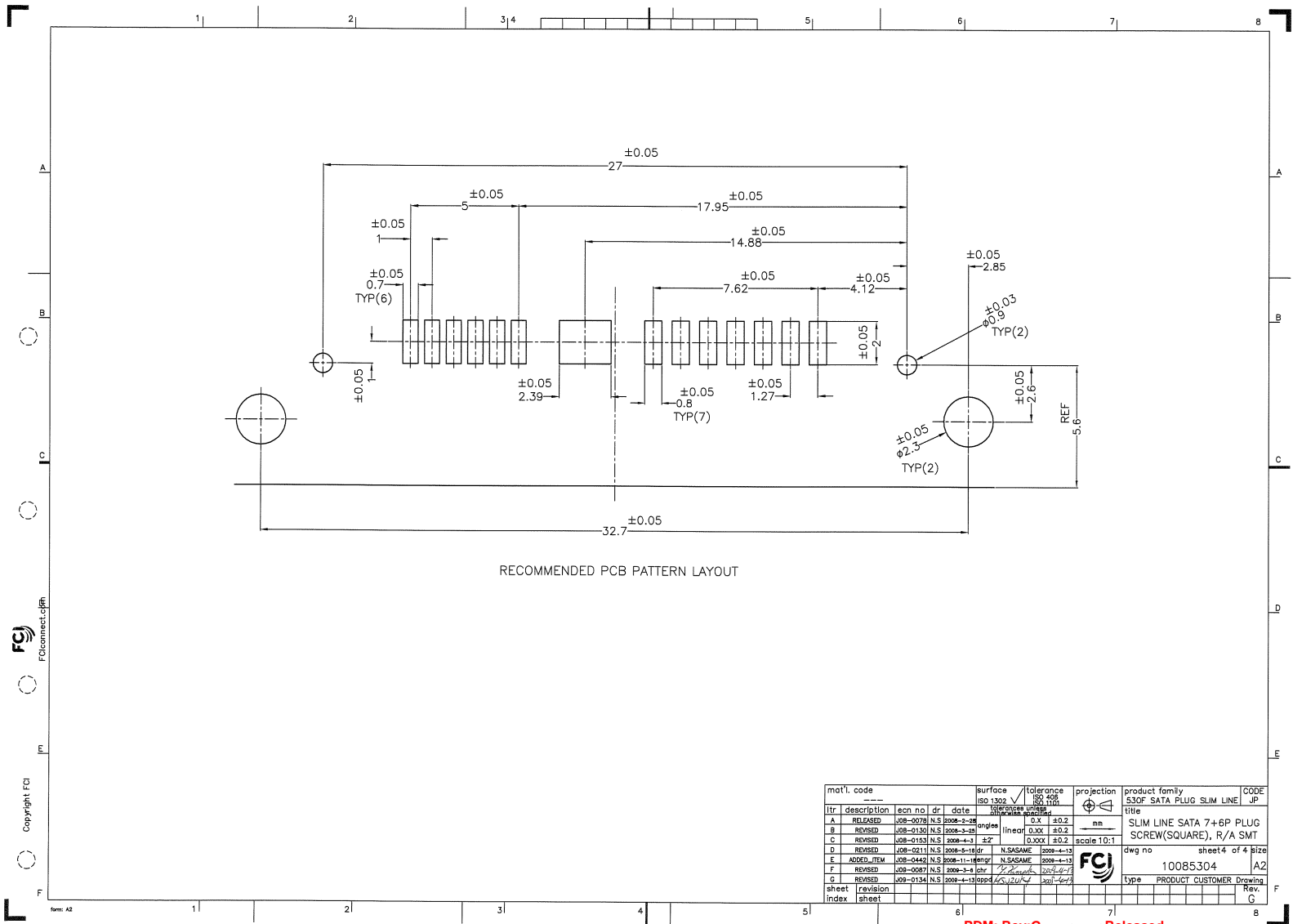


mat'l. code	surface	tolerance	projection	product family	CODE
---	ISO 1302	ISO 428	ISO 428	530P SATA PLUG SLIM LINE	JP
tr description	ecn no	dr	date	revision	angle
A	RELEASED	008-0078	N.S	2008-2-26	0.X
B	REVISED	008-0130	N.S	2008-3-26	mm
C	REVISED	008-0153	N.S	2008-4-3	±2
D	REVISED	008-0211	N.S	2008-5-18	dr
E	ADDED_ITEM	008-0442	N.S	2008-11-18	eng
F	REVISED	008-0501	N.S	2008-3-4	ch
G	REVISED	008-0134	N.S	2008-4-13	app
sheet	revision	G	G	G	G
index	sheet	1	2	3	4

PRODUCT NO.	CONTACT AREA PLATING	SOLDERING AREA PLATING	HSG BOSS HEIGHT (DIM A)	TAIL WIDTH (DIM B)	TAIL LENGTH (DIM C)	TAIL LENGTH (DIM D)	TAIL LENGTH (DIM E)	TAIL LENGTH (DIM F)
10085304-2001ALF	GOLD 0.76um[30u"] MIN	1.91um [75u"] MIN. 100% TIN	1.0mm	0.35mm	0.7mm	7.1mm	0.6mm	1.5mm
10085304-4001ALF	GOLD 0.76um[30u"] MIN	GOLD FLASH 0.05um[2u"] MIN	1.0mm	0.35mm	0.7mm	7.1mm	0.6mm	1.5mm
10085304-4101ALF	GOLD 0.76um[30u"] MIN	GOLD FLASH 0.05um[2u"] MIN	0.7mm	0.35mm	0.7mm	7.1mm	0.6mm	1.5mm



PDM: Rev:G STATUS Released Printed: Apr 14, 2009



RECOMMENDED PCB PATTERN LAYOUT

mat'l. code		surface	tolerance	projection	product family	CODE
---		ISO 1302	ISO 4013	ISO 1101	530F SATA PLUG SLIM LINE	JP
ltr	description	ech no	dr	date	tolerances and finishes	title
A	RELEASED	108-0078	N.S.	2008-2-28	0.X ±0.2	SLIM LINE SATA 7+6P PLUG
B	REVISED	108-0130	N.S.	2008-3-28	linear 0.XX ±0.2	SCREW(SQUARE), R/A SMT
C	REVISED	108-0153	N.S.	2008-4-3	0.00X ±0.2	scale 10:1
D	REVISED	108-0211	N.S.	2008-5-16	dr N.SASAME	2008-4-13
E	ADDED_ITW	108-0442	N.S.	2008-11-18	dr N.SASAME	2008-4-13
F	REVISED	108-0587	N.S.	2008-3-4	1/2" dia hole	2008-09-07
G	REVISED	108-0134	N.S.	2008-4-13	appd AS/2U/K	2007-02-07
sheet	revision					
index	sheet					

PDM: Rev:G STATUS:Released Printed: Apr 14, 2009

Copyright FCJ
 FCJconnect.com