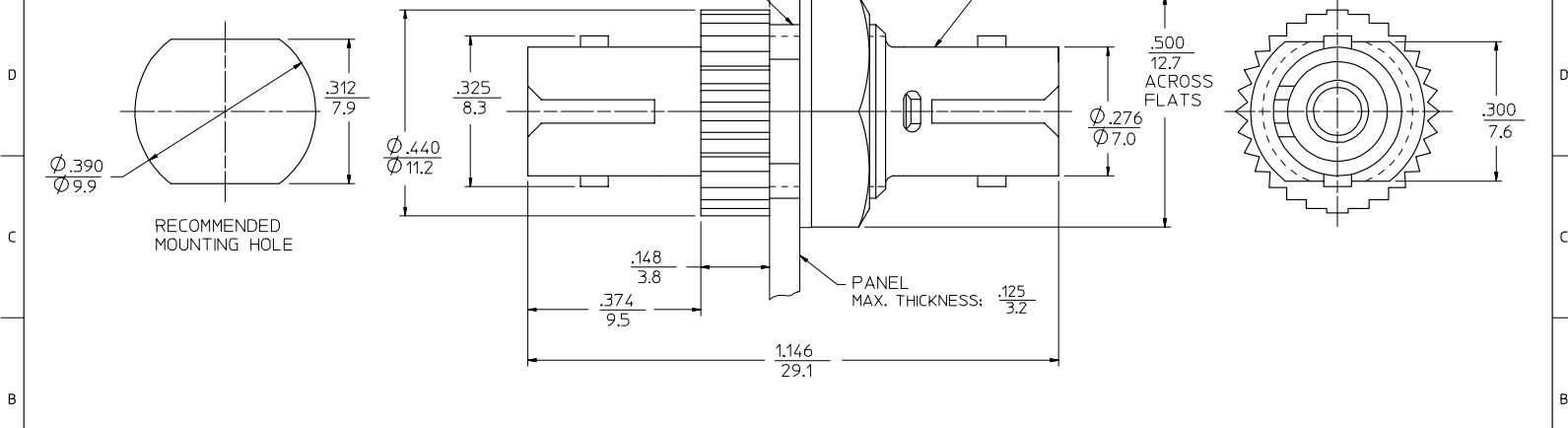


| | | | | | | | | | | |
|---|--------------|---------------------------|----------------|--------------------|---|---|---|---|---|--------|
| | 10 | 9 | 8 | 7 | 6 | 5 | 4 | 3 | 2 | 106110 |
| | ADAPTER P/N | ALIGNMENT SLEEVE MATERIAL | DUST CAP COLOR | PANEL NUT MATERIAL | | | | | | |
| F | 106110-1000 | CERAMIC | BLACK | METAL | | | | | | |
| | 106110-1020* | | | | | | | | | |
| | 106112-1000 | PHOSPHOR BRONZE | RED | | | | | | | |
| | 106112-1100* | | | | | | | | | |
| E | 106113-1000 | PLASTIC | BLACK | | | | | | | |
| | 106113-1020* | | | | | | | | | |
| | 106112-1010 | PHOSPHOR BRONZE | RED | PLASTIC | | | | | | |



NOTES:

1. DUST CAPS ARE NOT SHOWN BUT INCLUDED.

*2. P/N 106113-1020, P/N 106110-1020 AND P/N 106112-1100 ARE BULK PACKED IN QUANTITY OF 100 PIECES.

| | | | | | | | |
|------------------------------------------------------------------------------------------------------------|-------------------------------|--------------------------------------------------------------------------------------------------------------|---------------------------------------------|---------------------------------------|--------------------------------|----------------------|------------------------|
| ENTER DESCRIPTION EC NO: MF2008-0168 DRAWN BY: BEDIYAK CHKD: 2007/10/22 APPR: GUMIN 2007/10/22 | QUALITY SYMBOLS ▽=0 ▽=0 | GENERAL TOLERANCES (UNLESS SPECIFIED) | | DIMENSION STYLE IN/MM | SCALE 5:1 | DESIGN UNITS INCH | THIRD ANGLE PROJECTION |
| | | 4 PLACES ± --- ± --- 3 PLACES ± --- ± --- 2 PLACES ± --- ± --- 1 PLACE ± --- ± --- ANGULAR ±1/2° | DRAWN BY RPACIFIC1 DATE 2005/12/22 | TITLE ST TYPE ADAPTER (METAL BODY) | | | |
| DRAFT WHERE APPLICABLE MUST REMAIN WITHIN DIMENSIONS | APPROVED BY DATE | MOLEX INCORPORATED | | MATERIAL NO. SEE TABLE | DOCUMENT NO. SD-10611X-1X00 | SHEET NO. 1 OF 01 | |

THIS DRAWING CONTAINS INFORMATION THAT IS PROPRIETARY TO MOLEX INCORPORATED AND SHOULD NOT BE USED WITHOUT WRITTEN PERMISSION