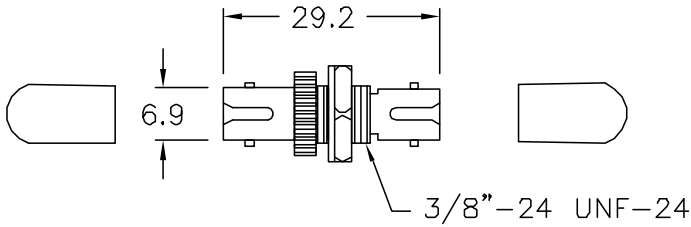
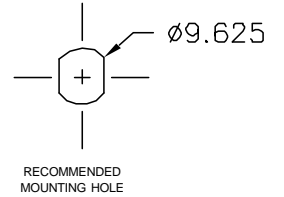
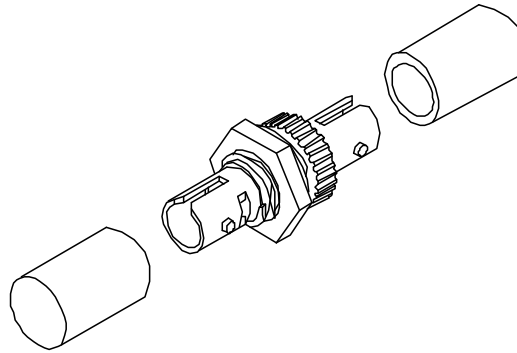


ALL RIGHTS RESERVED. NO PORTION OF THIS PUBLICATION, WHETHER IN WHOLE OR IN PART CAN BE REPRODUCED WITHOUT THE EXPRESS WRITTEN CONSENT OF SPC TECHNOLOGY.

DCP #		REV	DESCRIPTION	DRAWN	DATE	CHECKD	DATE	APPRVD	DATE
2016		A	RELEASED	JN	01/14/09	JWM	01/14/09	JWM	01/14/09

DOC. NO. SPC-F005 * Effective 12/21/08 * DCP No: 880



NOTES:

- Wavelength: 850nm or 1310nm
- Insertions Loss: Ceramic <=0.15dB, Metal <=0.2dB
- Retention Force: 200~600g
- Durability: 500 Mating
- Operating Temperature: -40°C~80°C
- Storage: -30°C~75°C
- Connector: UL94V-0

SPC P/N	SLEEVING	BODY	NUT	WASHER	PUSH	DUST CAP	
						COLOR	Q.ty
SPC22801	CERAMIC	METAL HOUSING WITH NICKEL PLATING	BRASS, NI-PLATED	FE, NI-PLATED	BRASS, NI-PLATED	YELLOW	2
SPC22800	METAL	METAL HOUSING WITH NICKEL PLATING	BRASS, NI-PLATED	FE, NI-PLATED	BRASS, NI-PLATED	BLACK	2

DISCLAIMER:
ALL STATEMENTS AND TECHNICAL INFORMATION CONTAINED HEREIN ARE BASED UPON INFORMATION AND/OR TESTS WE BELIEVE TO BE ACCURATE AND RELIABLE. SINCE CONDITIONS OF USE ARE BEYOND OUR CONTROL, THE USER SHALL DETERMINE THE SUITABILITY OF THE PRODUCT FOR THE INTENDED USE AND ASSUME ALL RISK AND LIABILITY WHATSOEVER IN CONNECTION THEREWITH.



SPC TECHNOLOGY

UNLESS OTHERWISE SPECIFIED, DIMENSIONS ARE FOR REFERENCE PURPOSES ONLY.

DRAWN BY:	DATE:
Jason Nash	01/14/09
CHECKED BY:	DATE:
Jeff McVicker	01/14/09
APPROVED BY:	DATE:
Jeff McVicker	01/14/09

DRAWING TITLE:

ST SIMPLEX, ADAPTER

SIZE	DWG. NO.	ELECTRONIC FILE	REV
A	TA-1055	TA-1055.DWG	A
SCALE: NTS	U.Q.M.: INCHES	SHEET: 1	OF 1

SPC-F005.DWG