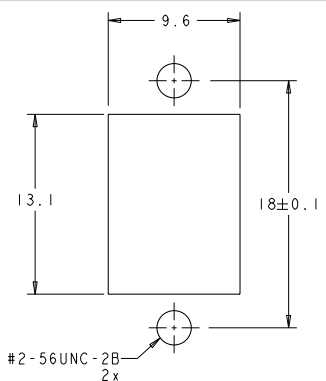


REVISIONS				
REV	DESCRIPTION	DATE	BY	APPV
F2	REVISED PER ECO-11-005140	16APR2011	RK	HMR

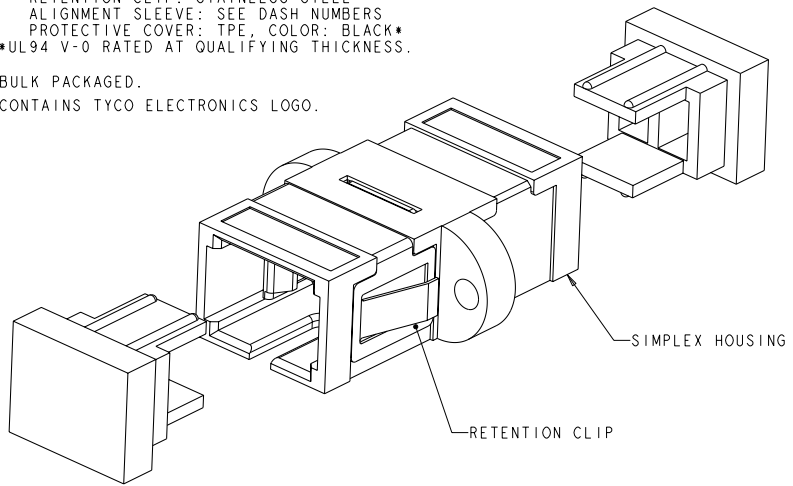


SUGGESTED PANEL CUTOUT
MAX. PANEL THICKNESS 1.7

- ⚠ MATERIAL:
- HOUSING: PBT-GF30, SEE DASH NUMBERS FOR COLOR*
- RETAINER: PEI-GF30, COLOR: BLACK*
- RETENTION CLIP: STAINLESS STEEL
- ALIGNMENT SLEEVE: SEE DASH NUMBERS
- PROTECTIVE COVER: TPE, COLOR: BLACK*
- *UL94 V-0 RATED AT QUALIFYING THICKNESS.

- ⚠ BULK PACKAGED.
- ⚠ CONTAINS TYCO ELECTRONICS LOGO.

⚠	CERAMIC	GREEN	2-5502632-6
⚠	CERAMIC	BLUE	2-5502632-5
	CERAMIC	AQUA	2-5502632-4
	METAL	AQUA	2-5022632-3
	CERAMIC	GREEN	2-5502632-2
	METAL	GREEN	2-5502632-1
⚠	CERAMIC	BLUE	1-5502632-8
	CERAMIC	BEIGE	1-5502632-2
	CERAMIC	BLUE	1-5502632-1
	CERAMIC	BLACK	1-5502632-0
	METAL	BEIGE	5502632-9
	METAL	BLUE	5502632-8
	METAL	BLACK	5502632-7
	ALIGNMENT SLEEVE	COLOR	PART NUMBER



THIS DRAWING IS A CONTROLLED DOCUMENT.		DRN D. BRIGGS 3MAY2005	TE Connectivity	
DIMENSIONS: mm		CHK S. MILLER 3MAY2005	RECEPTACLE ASSEMBLY, SC TO SC	
TO DIMENSIONS UNLESS OTHERWISE SPECIFIED.		APPV S. BUCHTER 3MAY2005	RESTRICTED TO	
0 PLC ±0.1		PRODUCT SPEC	SHEET	REV
1 PLC ±0.05		APPLICATION SPEC	A2	2
2 PLC ±0.1		WEIGHT	SCALE 5:1	
3 PLC ±0.1		CUSTOMER DRAWING	SHEET 1 OF 1	
4 PLC ±0.1		DRAWING NO. ©-5502632		
ANGLES ±0.1		REV E2		
FINISH		SCALE 5:1		