

## Data sheet

# 4740 Stripbloc

### CONTENT

<b>1</b>	<b>GENERAL DESCRIPTION .....</b>	<b>2</b>
<b>2</b>	<b>DIMENSIONS .....</b>	<b>3</b>
<b>3</b>	<b>ELECTRICAL DATA .....</b>	<b>5</b>
3.1	GENERAL .....	5
3.2	GENERAL FOR FILTER TYPE .....	5
3.3	CABLE WITH PLUG .....	6
3.4	APPLIANCE INLET .....	6
3.5	APPLIANCE OUTLET .....	6
3.6	ROCKER-SWITCH .....	6
3.7	FUSEHOLDER .....	7
3.8	NEON INDICATOR .....	7
3.9	MAINS-FILTER .....	7
3.10	DIAGRAMS .....	8
3.11	COMPONENTS DATA FOR FILTER TYPE .....	9
<b>4</b>	<b>MECHANICAL DATA .....</b>	<b>9</b>
4.1	MOUNTING .....	9
4.2	PACKING AND WEIGHT .....	9
<b>5</b>	<b>MATERIALS .....</b>	<b>10</b>
<b>6</b>	<b>ENVIRONMENTAL CONDITION .....</b>	<b>11</b>
6.1	TEMPERATURES .....	11
<b>7</b>	<b>APPROVALS .....</b>	<b>12</b>
<b>8</b>	<b>ORDER CODE .....</b>	<b>13</b>

Page	Created date:	Created by:	Released date:	Released by:	Notification-No.	Document-No.	Index
1 of 13	11/29/2003 11:26:00 AM	HU	4/7/2008	HU	19600	0105.1835	b

## 1 GENERAL DESCRIPTION

### General

The 4740 / 4760 series Stripbloc are stand alone Distribution Units, available as class I, made for pin temperature max. 70°C, L and N shuttered. The Stripbloc is designed to enable up to 6 low power appliances to be connected simultaneously.

Variations of distribution units type 4740/4760:

- All versions available with IEC-inlet or country specific cables.
- Distribution unit with 6 outlets.
- Distribution unit with 5 outlets, fuseholder and neon.
- Distribution unit with 5 outlets and rocker-switch illuminated.
- Distribution unit with 5 outlets, fuseholder, neon and filter.

The Stripbloc type 4740 / 4760 consists of the following parts and meets the appropriate standards:

### Cable with plug

All cables are approved to the country specific requirements and standards

- BS 1363A British plug with cable type H05VV-F3G x 1.0mm<sup>2</sup>.
- CEE 7/VII European Schuko plug with cable type H05VV-F3G x 1.0mm<sup>2</sup>.
- IEC / EN 60320-2-2/E IEC Coupler with cable type H05VV-F3G x 1.0mm<sup>2</sup>.
- NEMA 5-15 North America NEMA 5-15 plug with cable type SVT 3 x 18AWG.

### Appliance Inlet

The appliance inlet meets the following standards:

- IEC / EN 60320-1 Standard sheet C14
- UL 498
- CSA 22.2 No 42

Protection class I ( L / N / PE ) to IEC 61140.

### Appliance outlet

The appliance outlet meets the following standards:

- IEC / EN 60320-2-2 Standard sheet F
- UL 498

Protection class I ( L / N / PE ) to IEC 61140.

### Fuseholder

The fuseholder meets the following standards:

- IEC / EN 60127-6
- UL 512
- CSA C22.2-39

The live parts cannot be touched with the standard test-finger according to IEC 60529 in the following conditions:

- during operating, i.e. with inserted fuse-drawer.
- during opening, i.e. with open fuse-drawer.
- during replacing the fuse-link held by the fuse-drawer.

Page	Created date:	Created by:	Released date:	Released by:	Notification-No.	Document-No.	Index
2 of 13	11/29/2003 11:26:00 AM	HU	4/7/2008	HU	19600	0105.1835	b

### Neon

The neon indicator meets the following standards:  
VDE 0710 Part 1+11

### Rocker switch

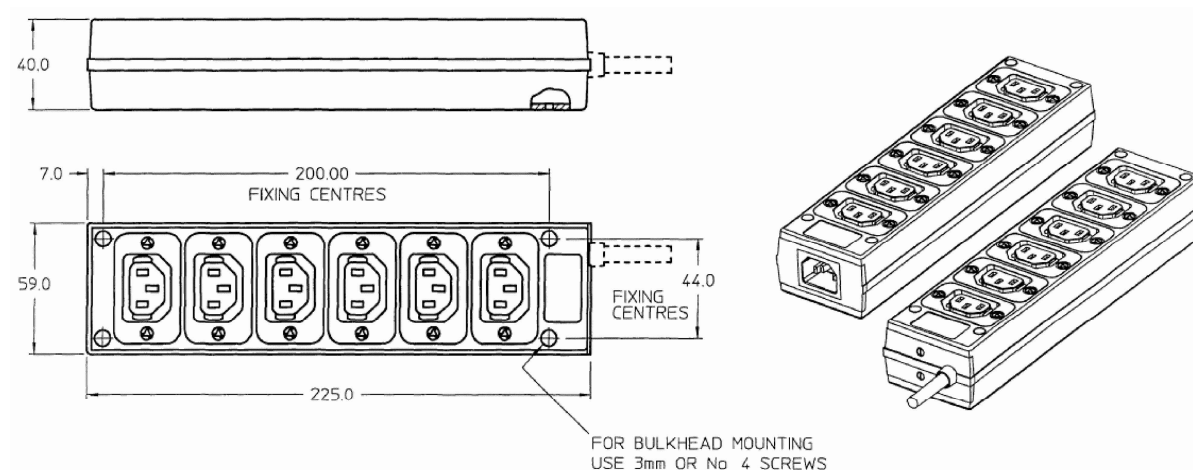
The rocker-switch meets the following standards:  
- IEC / EN 61058-1

### Mains-filter

1-stage mains-filter for standard application.  
The mains-filter meets the following standards:  
- IEC / EN 60939  
- UL 1283  
- CSA 22.2 No.8

## 2 DIMENSIONS

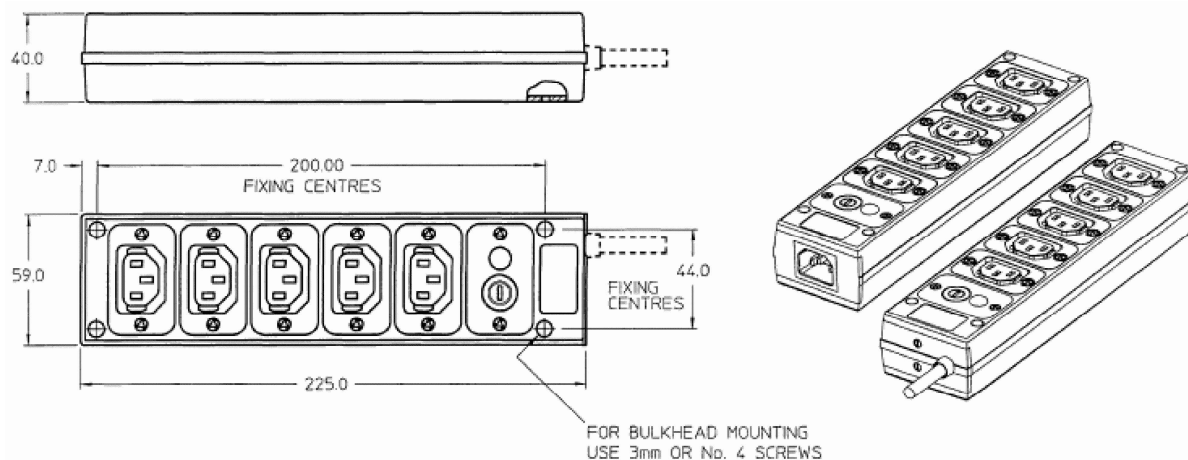
Type 4740 with 6 outlets.



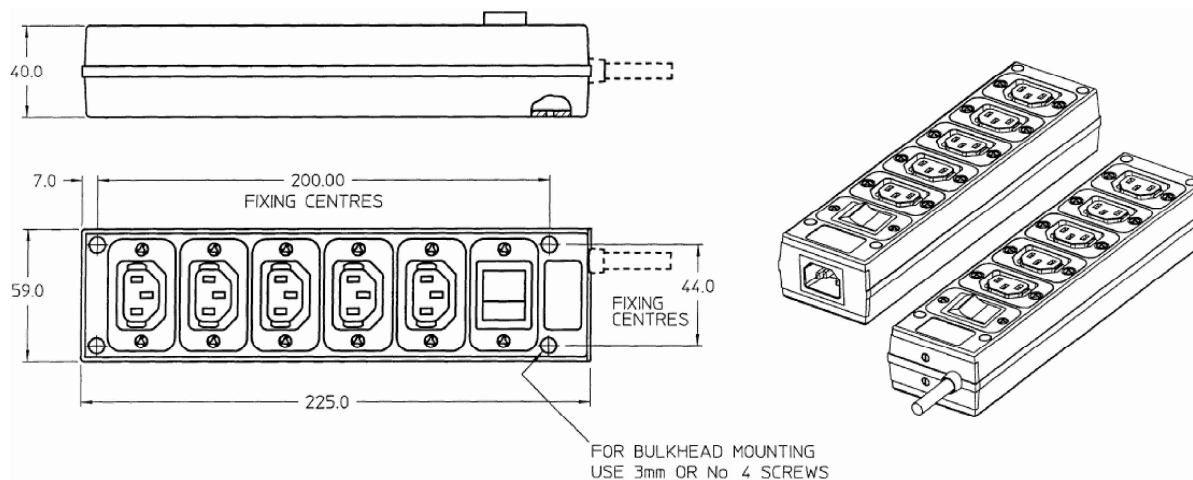
Page	Created date:	Created by:	Released date:	Released by:	Notification-No.	Document-No.	Index
3 of 13	11/29/2003 11:26:00 AM	HU	4/7/2008	HU	19600	0105.1835	b

Print date: 07/04/2008 11:40:00

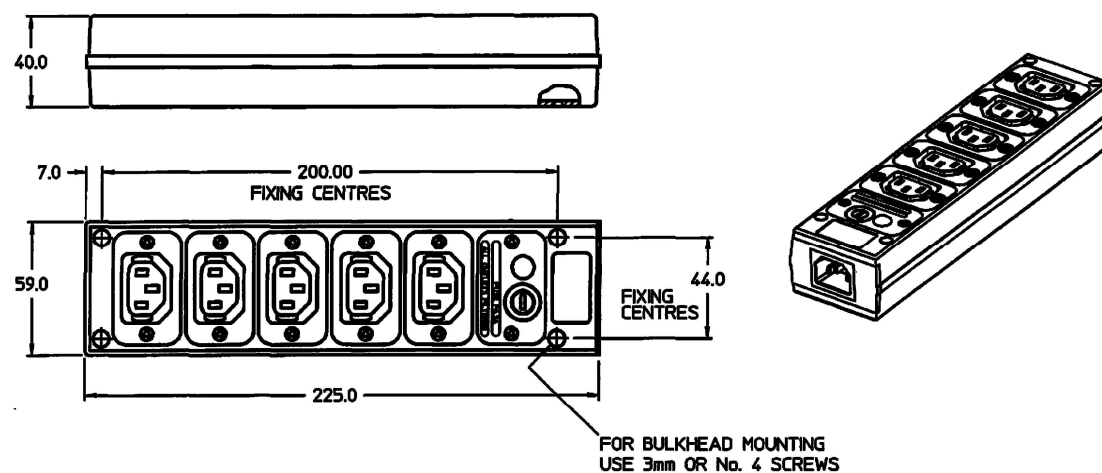
Type 4740 with 5 outlets, fuseholder and neon.



Type 4740 with 5 outlets and rocker-switch illuminated.



Type 4740 with 5 outlets fuseholder, neon and filter



Page	Created date:	Created by:	Released date:	Released by:	Notification-No.	Document-No.	Index
4 of 13	11/29/2003 11:26:00 AM	HU	4/7/2008	HU	19600	0105.1835	b

### 3 ELECTRICAL DATA

#### 3.1 General

Rated voltage Un	125 / 250 VAC	50 / 60 Hz
Rated current In	10 A	
Insulation resistance (500 V DC ; 1 min.)	> 5 MΩ	between live parts of different potentials. (without neon)
	> 5 MΩ	between protective conductor PE and live parts.
Dielectric strength (50 Hz ; 1 min.)	> 2.5 kV	between live parts of different potentials. (without neon)
	> 2.5 kV	between protective conductor PE and live parts.
Maximal internal earth link Resistance	0.25 Ω	
Overvoltage category	I - III	according to IEC 60664-1
Crearence and creepage distances	> 3 mm	between live parts of different potentials.
	> 4 mm	between protective conductor PE and live parts.
Pollution degree	1 - 3	according to IEC 60664-1
Protection class (Protection against electric shock)	Suitable for appliances of protection class I acc. to IEC 61140 respectively acc. to VDE 0106 / part 1	

#### 3.2 General for filter type

Rated voltage Un	125 / 250 VAC	50 / 60 Hz
Rated current In	6 A	
Insulation resistance (500 V DC ; 1 min.)	> 5 MΩ	between live parts of different potentials. (without bleed resistor)
	> 5 MΩ	between protective conductor PE and live parts.
Dielectric strength (DC ; 1 min.)	> 1.7 kV	between live parts of different potentials. (without bleed resistor)
	> 2.7 kV	between protective conductor PE and live parts.
Test voltage (2sec.) Fabrication test	1075 V DC	between live parts of different potentials.
	1500 V AC	between protective conductor PE and live parts.

Page	Created date:	Created by:	Released date:	Released by:	Notification-No.	Document-No.	Index
5 of 13	11/29/2003 11:26:00 AM	HU	4/7/2008	HU	19600	0105.1835	b

### 3.3 Cable with plug

Cord sets with adjusted cable length and stripped end.  
 Protection class I, pin temperature max. 70°C (cold condition)

#### United Kingdom (British Plug)

Cord Type: H05VV-F3G1.0  
 Rated 10 A / 250VAC

#### Continental Europe (SCHUKO)

Cord Type: H05VV-F3G1.0  
 Rated 10 A / 250VAC

#### IEC Coupler (EN 60320)

Cord Type: H05VV-F3G1.0  
 Rated 10 A / 250VAC

#### North America (NEMA)

Cord Type: SVT  
 Rated 10 A / 125VAC

### 3.4 Appliance inlet

Appliance inlet, Snap-in mounted

Rated voltage Un	250 VAC	50 / 60 Hz
Rated current In	10 A	VDE
	15 A	UL / CSA
Pin temperature	max. 70° C	
Type designation	61XX	

### 3.5 Appliance outlet

Appliance outlet, flanged, L / N shuttered

Rated voltage Un	250 VAC	50 / 60 Hz
Rated current In	10 A	VDE
	15 A	UL
Made for pin temperature	max. 70° C	
Type designation	4721	

### 3.6 Rocker-switch

2-poles illuminated (red) ON- / OFF-switch.

Rated voltage Un	250 VAC	50 / 60 Hz
Rated current In	16 (4) A	
Inrush capability	150 A	to IEC 65
Insulation resistance	> 20 MΩ	
Dielectric strength:		
across open contacts	> 1 kV (AC)	
between poles	> 3 kV (AC)	
Contact gap	> 3 mm	
Manufacturer	Arcoelectric Switches plc, 61 Central Avenue, West Molesey Surrey, England KT8	
Type designation	C 1353 VT (2-pol) illuminated	

Page	Created date:	Created by:	Released date:	Released by:	Notification-No.	Document-No.	Index
6 of 13	11/29/2003 11:26:00 AM	HU	4/7/2008	HU	19600	0105.1835	b

### 3.7 Fuseholder

Fuseholder 1-pole for fuse links 5 x 20mm with bayonet type fuse carrier, slotted.  
 The fuse holder is accessible from the equipment front.

Rated voltage Un                    250 VAC        50 / 60 Hz  
 Rated current In                    10 A            VDE  
 Rated Power Acceptance        4 W / 10 A @ Ta 23 °C  
 Contact resistance                5 mΩ

Dielectric strength                > 4kV  
 (50 Hz ; 1 min.)

Insulation resistance            > 10<sup>3</sup> MΩ  
 (500 V DC ; 1 min.)

Type designation                 FEF

### 3.8 Neon indicator

Rated voltage Un                    250 VAC        50 / 60 Hz  
 Rated current In                    10 A  
 Manufacturer                      Signal Lux CH-6900 Lugano Switzerland  
 Type designation                 Series 24.5 illuminated red

### 3.9 Mains-filter

Rated voltage Un                    125 / 250 V AC 50 / 60 Hz  
 Rated current In                    6A @ Ta 40° C ; according to IEC / EN, UL, CSA  
 Max. leakage current            mains-filter standard    max. 1.0 mA (250V / 60Hz)

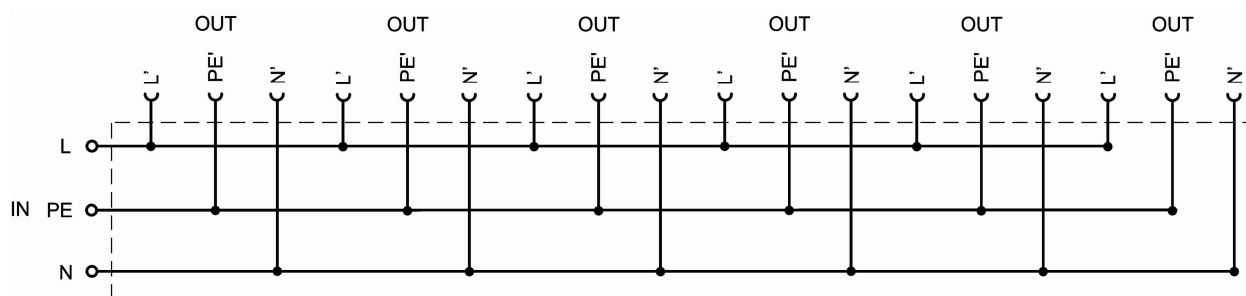
The mains-filter for standard applications meets            IEC / EN 60393 / UL 1283 / CSA C22.2 no.8

Page	Created date:	Created by:	Released date:	Released by:	Notification-No.	Document-No.	Index
7 of 13	11/29/2003 11:26:00 AM	HU	4/7/2008	HU	19600	0105.1835	b

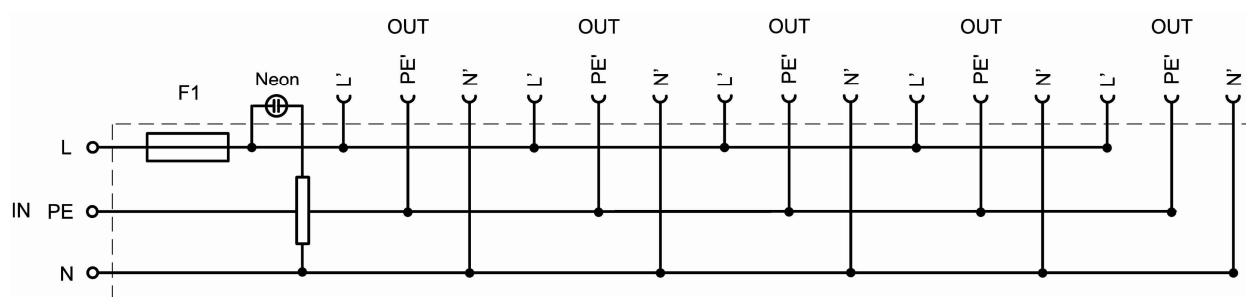
### 3.10 Diagrams

All Inputs are: Inlet or Cable

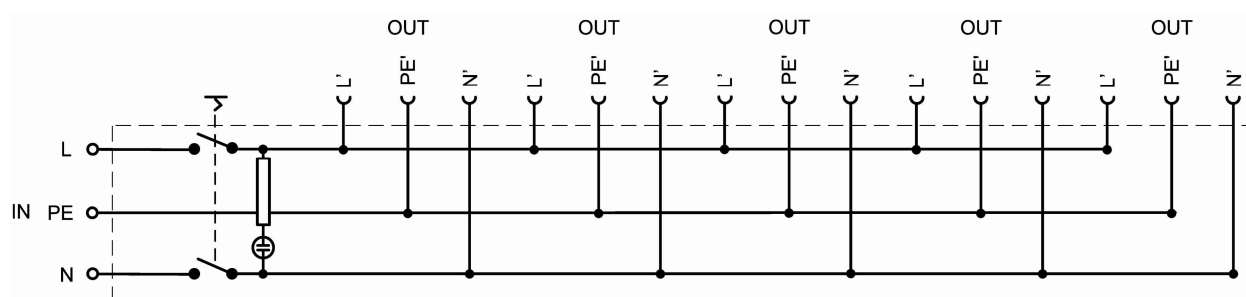
Distribution unit with 6 outlets.



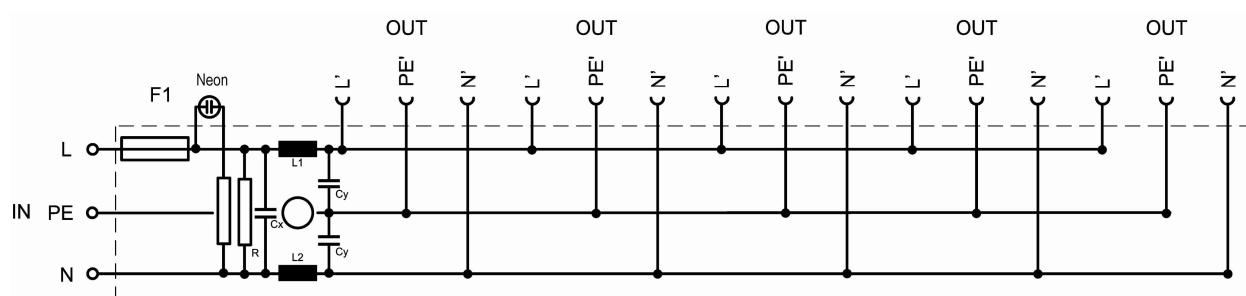
- Distribution unit with 5 outlets, fuseholder and neon.



- Distribution unit with 5 outlets and rocker-switch illuminated.



- Distribution unit with 5 outlets fuseholder, neon and filter.



Page	Created date:	Created by:	Released date:	Released by:	Notification-No.	Document-No.	Index
8 of 13	11/29/2003 11:26:00 AM	HU	4/7/2008	HU	19600	0105.1835	b



### 3.11 Components data for filter type

Rated current [A]	Filter type	Inductors L1 / L2 [mH]	Cx [nF]	Cy [pF]	R [MW]
6	Standard	0.2	47 / 100	2x 4700	1

## 4 MECHANICAL DATA

### 4.1 Mounting

The distribution unit type 4740 / 4760 is a stand alone module.  
 Fixing can be made with four screws. (see dimension drawing)

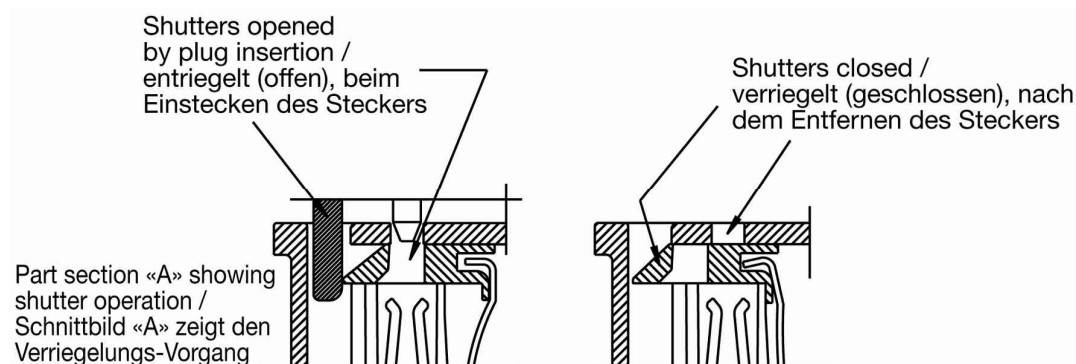
#### Withdrawal Force

When outlet is used  
 with a suitable plug or connector 10 – 50N

#### Features

Shuttered outlets have mechanical covers over the L & N contacts which slide aside, like a camera shutter, when a plug is inserted into the outlet.

The shutters spring back to cover the contacts when the plug is removed. This offers protection against electrical shock and ingress of dust into outlet when a plug is not inserted. See section 'A' diagrams.



### 4.2 Packing and weight

Original packing 10 pcs.

Page	Created date:	Created by:	Released date:	Released by:	Notification-No.	Document-No.	Index
9 of 13	11/29/2003 11:26:00 AM	HU	4/7/2008	HU	19600	0105.1835	b

## 5 MATERIALS

Stripbloc case:	ABS thermoplastic UL94 V-0 (1.5mm thick) Temp.-index RTI, electr.: 60°C UL File-no.: E 50263 (S)
Outlet:	PPO thermoplastic UL94 V-0 (1.5mm thick) Live parts: Brass, tin-plated Shutters: PA6 Thermoplastic UL94 -0 (1mm thick) Shutter spring: Galvanised steel
Inlet:	PA6 thermoplastic UL94 V-0 Live parts: Brass, tin-plated / nickel-plated
Cable:	PVC
Live parts (wire link):	Copper alloy, protected against corrosion.
Rocker switch:	Nylon 6.6, Polycarbonate, UL94 V-2 Copper alloy, silver-plated, silver alloy
Screws	Steel nickel-plated, steel hardened zinc-plated
Cable Clamp	Steel zinc-plated & PA66
Insulating sleeves	PVC, Flex. Polyolefin

Page	Created date:	Created by:	Released date:	Released by:	Notification-No.	Document-No.	Index
10 of 13	11/29/2003 11:26:00 AM	HU	4/7/2008	HU	19600	0105.1835	b

## 6 ENVIRONMENTAL CONDITION

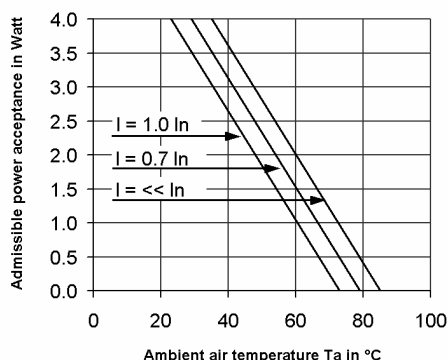
### 6.1 Temperatures

Storage temperature: - 40°C up to + 85°C  
 Operating temperature: - 25°C up to + 70°C  
 Climatic category: 25 / 085 / 21 according to IEC 60068-1

#### Derating curve :

##### Fuse-holder

Table 1 : Admissible power acceptance versus ambient air temperature  $T_a$



#### Remark

The admissible power acceptance of the fuseholder is determined by a standardized testing procedure at rated current and at an ambient air temperature of 23° C, whereby the maximum permissible temperatures at the fuseholder must not be exceeded. Application and mounting method, especially for closed fuseholder, can influence the heating situation considerably. Therefore the heating situation has to be tested at the working condition of the fuseholder at maximum current and maximum ambient air temperature.

Page	Created date:	Created by:	Released date:	Released by:	Notification-No.	Document-No.	Index
11 of 13	11/29/2003 11:26:00 AM	HU	4/7/2008	HU	19600	0105.1835	b

## 7 APPROVALS

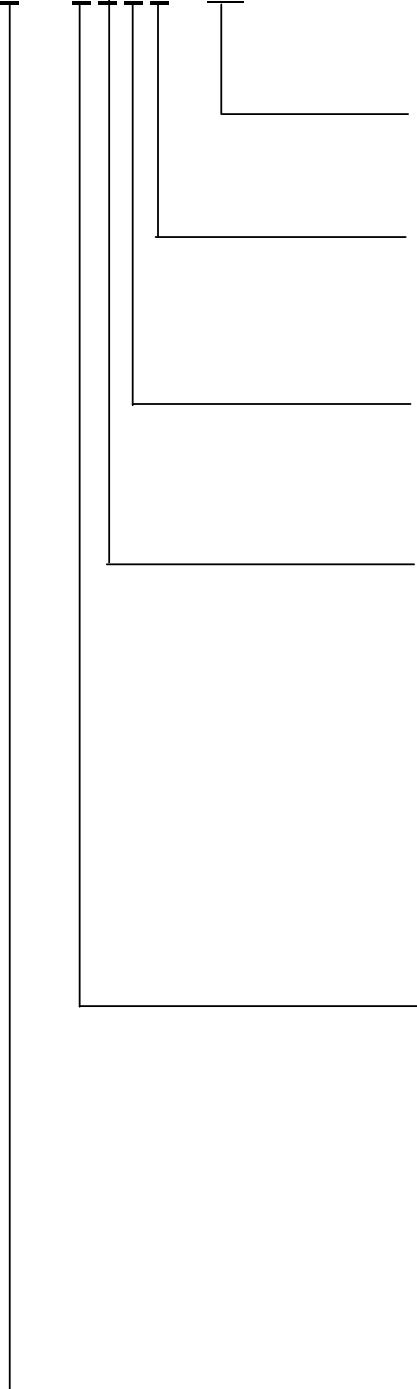
The Stripblic individual parts meets the following approvals:  
 (Outlet, Inlet, Fuseholder, Neon, Rocker-switch)

	UL	CSA / cUL	VDE	ENEC (Demko)
<b>Inlet</b> 6100.4120	E 96454 Vol.1 Sec.6	LR 38456	3479 ÜG	-
<b>Outlet</b> 4721.0300	E 69454 Vol.1 Sec.17	E 69454 Vol.1 Sec.17	40001632	-
<b>Fuse holder</b> 0031.1081 (FEF)	E 39328 Vol.1 Sec.24	LR 38456	131952 ÜG	-
<b>Neon</b> 0925.4000	E 63686 Vol.1 Sec.1	E 63686 Vol.1 Sec.1	022844	-
<b>Rocker Switch</b> 0041.7500 (Arcoelectric C1353 VT)	E 45221	LR 10990	-	55008702
<b>Cable with Plug</b>				<b>Others</b>
British 6044.0204	-	-	-	Mayor MP5004
Europe SCHUKO 6003.0215 (SL-9)	-	-	-	Demko 306040
IEC Coupler 6007.0214 (SL-4)	-	-	83495	-
N. America NEMA 6009.1204	E 183417	E 183417	-	-

Page	Created date:	Created by:	Released date:	Released by:	Notification-No.	Document-No.	Index
12 of 13	11/29/2003 11:26:00 AM	HU	4/7/2008	HU	19600	0105.1835	b

**8 ORDER CODE**

47X0 . XXXX . XX



On customer request

**Reserved**  
 0 - 9 = Reserved

**Reserved**  
 0 - 9 = Reserved

**Input Type**  
 0 = Inlet  
 1 = Inlet & Filter 6A  
 2 = Reserved  
 3 = Cable (2m) & British Plug 1)  
 4 = Reserved  
 5 = Reserved  
 6 = Cable (2m) & SCHUKO Plug 1)  
 7 = Cable (2m) & NEMA Plug 1)  
 8 = Cable (2m) & EN 60320 Plug 1)  
 9 = Cable (3m) stripped ends 1)

**Configuration**  
 0 = Reserved  
 1 = 3 Outlets shuttered, 3 Fuseholders, 3 Neon  
 2 = Reserved  
 3 = 5 Outlets shuttered, Fuseholder, Neon  
 4 = 6 Outlets shuttered  
 5 = Reserved  
 6 = 5 Outlets shuttered, 1 Rocker-switch  
 7 - 9 = Reserved

**Product Type**  
 4 = Stripbloc  
 6 = Stripbloc Arrow

1) Other cable length available on request

Page	Created date:	Created by:	Released date:	Released by:	Notification-No.	Document-No.	Index
13 of 13	11/29/2003 11:26:00 AM	HU	4/7/2008	HU	19600	0105.1835	b