

Keyword:
 iXtra - Long Term Performance

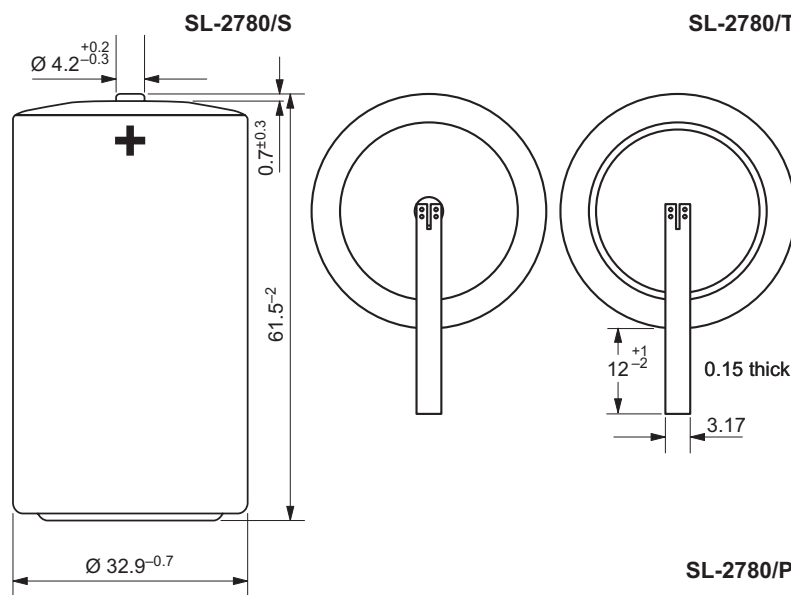
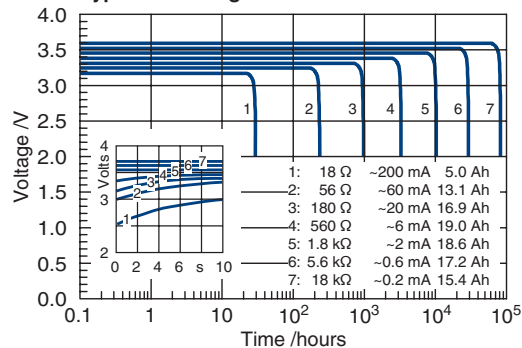
| | |
|---|----------------------|
| Model: | SL-2780 |
| Performance Data (Typical values for batteries stored at 25°C for one year) | Size D |
| System | Li/SOCl ₂ |
| Nominal voltage | 3.6 V |
| Nominal capacity | 19 Ah |
| Nominal current | 5 mA |
| Max. continuous discharge current | 200 mA |
| Pulse current capability | 450 mA |
| Anode surface area | 45 cm ² |
| Lithium content | 5 g |
| Weight | 93 g |
| Volume | 51 cm ³ |
| Temperature range | -55...+85 °C |

WARNING:
 Fire, explosion, and severe burn hazard. Do not recharge, disassemble, heat above 100 °C, incinerate, or expose contents to water.

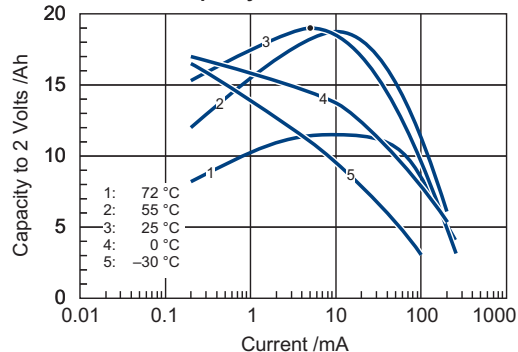
UL recognition under file MH 12827

See also our website under Products/Safety

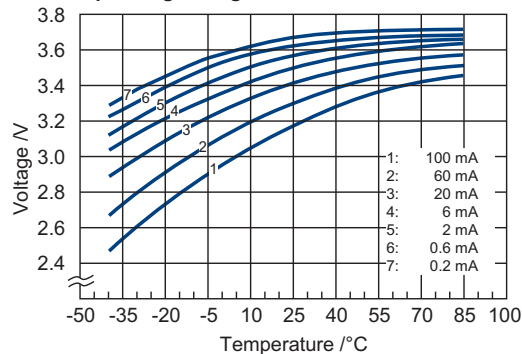
Typical Discharge Curves at +25°C



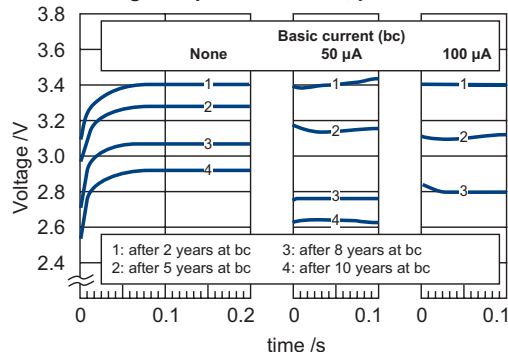
Available Capacity



Operating Voltage



Voltage Response at +25 °C, pulse: 60 mA



| Available Terminations | Catalogue No. |
|------------------------|---------------|
| SL-2780/S Standard | 11 2 17801 00 |
| SL-2780/T Tags | 11 2 17802 00 |
| SL-2780/P Pins | 11 2 17803 00 |

Any values given here are for information purposes only. They also depend on actual conditions of use and are not warranties of future performance. Subject to change.