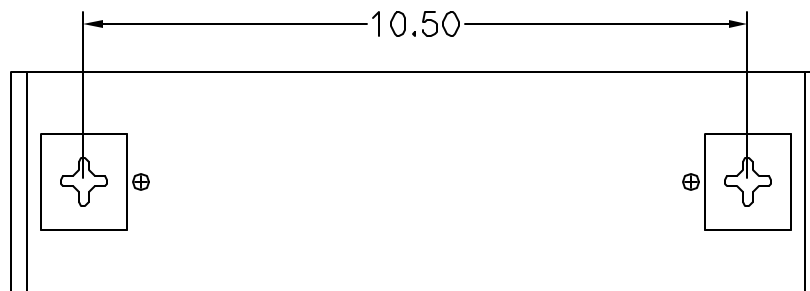
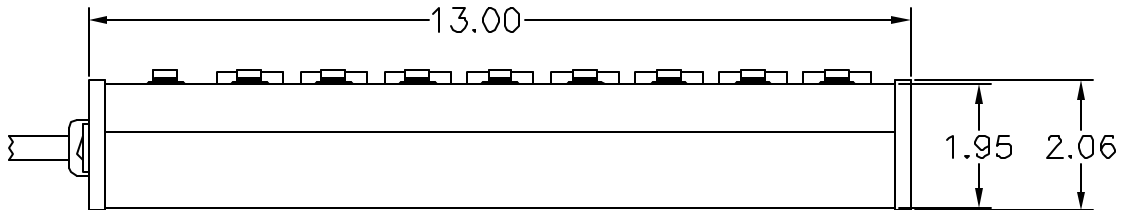
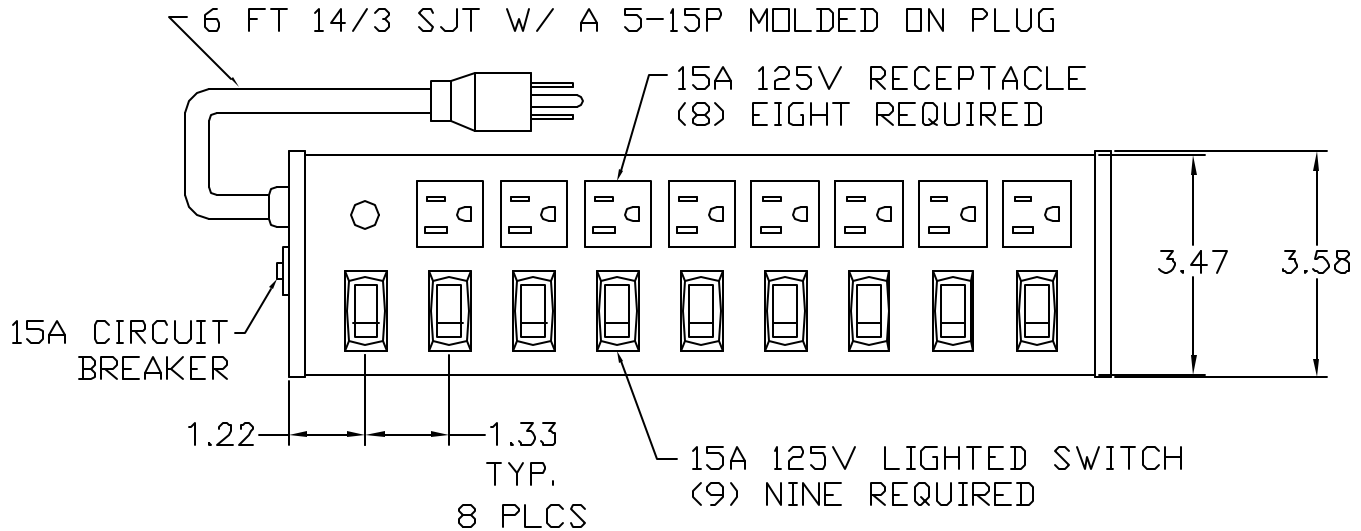


ALL RIGHTS RESERVED. NO PORTION OF THIS PUBLICATION, WHETHER IN WHOLE OR IN PART CAN BE REPRODUCED WITHOUT THE EXPRESS WRITTEN CONSENT OF SPC TECHNOLOGY.

REVISIONS			DOC. NO. SPC-F004 * Effective: 12/21/98 * DCP No: 680					
DCP #	REV	DESCRIPTION	DRAWN	DATE	CHECKD	DATE	APPRVD	DATE
1349	A	RELEASED	JWM	6/5/02	HO	6/5/02	DJC	6/5/02



E65061



LR62645M36

SPC-F004-DWG

DISCLAIMER:
ALL STATEMENTS AND TECHNICAL INFORMATION CONTAINED HEREIN ARE BASED UPON INFORMATION AND/OR TESTS WE BELIEVE TO BE ACCURATE AND RELIABLE. SINCE CONDITIONS OF USE ARE BEYOND OUR CONTROL, THE USER SHALL DETERMINE THE SUITABILITY OF THE PRODUCT FOR THE INTENDED USE AND ASSUME ALL RISK AND LIABILITY WHATSOEVER IN CONNECTION THEREWITH.



SPC TECHNOLOGY

Tolerances Unless Otherwise Specified: 0.0 = ±.100 0.00 = ±.020 0.000 = ±0.005 ANGLES = ±1°	DRAWN BY: Jeff McVicker	DATE: 6/5/02	DRAWING TITLE: 8-Outlet, Switched Power Strip			
	CHECKED BY: Hisham Odish	DATE: 6/5/02	SIZE A	DWG. NO. SPC11101	ELECTRONIC FILE 32C2078.dwg	REV A
	APPROVED BY: Daniel Carey	DATE: 6/5/02	SCALE: NTS		U.O.M.: INCHES [mm]	SHEET: 1 OF 1