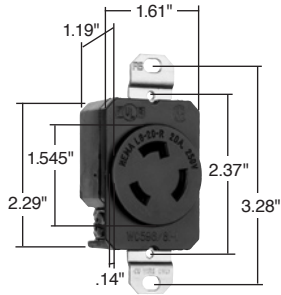
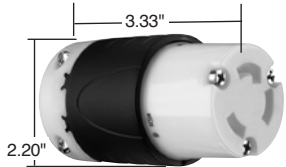


Industrial Spec Grade Turnlok® Locking Devices 20 Amp NEMA L620 & L720

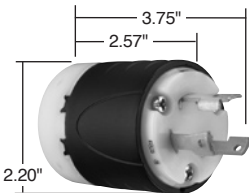
2 Pole, 3 Wire 20A, 250V & 277VAC



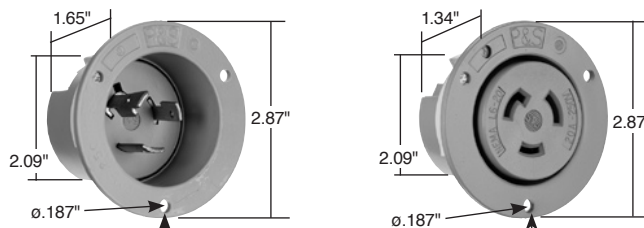
20A Receptacle



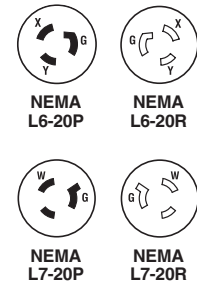
20A Connector



20A Plug



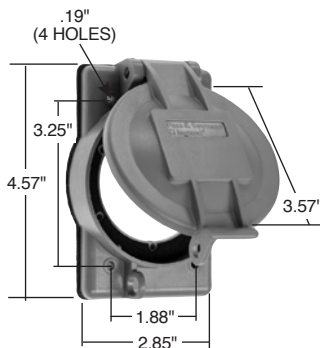
20A Flanged Inlet & Outlet



Catalog Number	Rating A. V.	Description/Color	Cord Diameter	NEMA Config. No.	3rd Party Compliance		
					UL UL498	FSUL WC596	CSA
Receptacles							
L620R	20 250	Single Receptacle		L6-20R	•	•	•
IGL620R	20 250	Single Receptacle, Orange, Isolated Ground		L6-20R	•		•
L720R	20 277*	Single Receptacle		L7-20R	•	•	•
IGL720R	20 277*	Single Receptacle, Orange, Isolated Ground		L7-20R	•		•
Connectors IP20 Suitability							
L620C	20 250	Black Back, White Front Body	.385"-1.150"	L6-20R	•	•	•
CRL620C	20 250	Yellow Back, White Front Body, Corrosion-Resistant	.385"-1.150"	L6-20R	•	•	•
L720C	20 277*	Black Back, White Front Body	.385"-1.150"	L7-20R	•	•	•
Plugs IP20 Suitability							
L620P	20 250	Black Back, White Front Body	.385"-1.150"	L6-20P	•	•	•
CRL620P	20 250	Yellow Back, White Front Body, Corrosion-Resistant	.385"-1.150"	L6-20P	•	•	•
L720P	20 277*	Black Back, White Front Body	.385"-1.150"	L7-20P	•	•	•
Flanged Inlets & Outlets							
L620FI	20 250	Gray Inlet		L6-20P	•		•
L620FO	20 250	Gray Outlet		L6-20R	•		•
L720FI	20 277*	Gray Inlet		L7-20P	•		•
L720FO	20 277*	Gray Outlet		L7-20R	•		•

*AC only.

Reference Pages I-37 and I-38 for Accessories.



WPG2

Catalog Number	Description	Color
Weatherproof Cover		
WPG2	Cover for 20 and 30A Turnlok Flanged Inlets and Outlets	Gray
Stainless Steel Wall Plate		
SS720	Wall Plate for Locking Receptacles	302 S/S