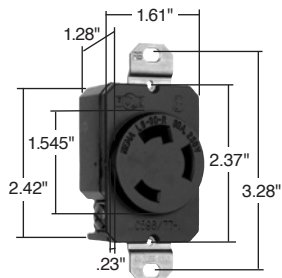
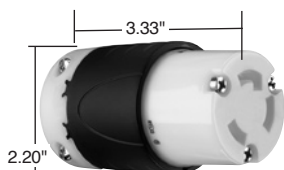


Industrial Spec Grade Turnlok® Locking Devices 30 Amp NEMA L530

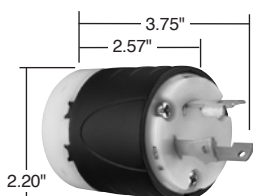
2 Pole, 3 Wire 30A, 125V



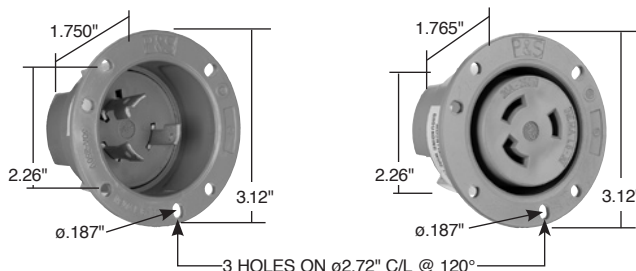
30A Receptacle



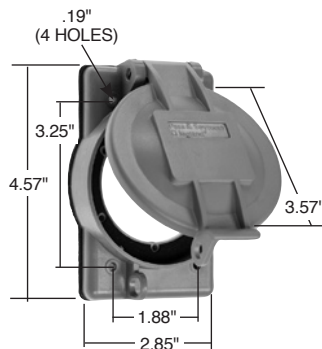
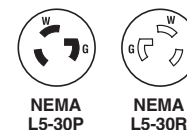
30A Connector



30A Plug



30A Flanged Inlet & Outlet



WPG2

Catalog Number	Rating A. V.	Description/Color	Cord Diameter	NEMA Config. No.	3rd Party Compliance		
					UL498	FSUL WC596	CSA
Receptacles							
L530R	30 125	Single Receptacle		L5-30R	•	•	•
IGL530R	30 125	Single Receptacle, Orange, Isolated Ground		L5-30R	•	•	•
CRL530R	30 125	Single Receptacle, Yellow, Corrosion-Resistant		L5-30R	•	•	•
Connectors IP20 Suitability							
L530C	30 125	Black Back, White Front Body	.385"-1.150"	L5-30R	•	•	•
L530CBK	30 125	Black Back, Black Front Body	.385"-1.150"	L5-30R	•	•	•
CRL530C	30 125	Yellow Back, White Front Body, Corrosion-Resistant	.385"-1.150"	L5-30R	•	•	•
Plugs IP20 Suitability							
L530P	30 125	Black Back, White Front Body	.385"-1.150"	L5-30P	•	•	•
L530PBK	30 125	Black Back, Black Front Body	.385"-1.150"	L5-30P	•	•	•
CRL530P	30 125	Yellow Back, White Front Body, Corrosion-Resistant	.385"-1.150"	L5-30P	•	•	•
Flanged Inlets & Outlets							
L530FI	30 125	Gray Inlet		L5-30P	•	•	•
L530FO	30 125	Gray Outlet		L5-30R	•	•	•

Reference Pages I-37 and I-38 for Accessories.

Catalog Number	Description	Color
Weatherproof Cover		
WPG2	Cover for 20 and 30A Turnlok Flanged Inlets and Outlets	Gray
Stainless Steel Wall Plate		
SS720	Wall Plate for Locking Receptacles	302 S/S

Industrial Spec Grade Turnlok® Locking Devices 30 Amp NEMA L630 & L730

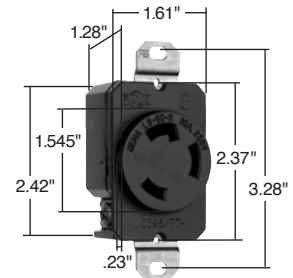
2 Pole, 3 Wire 30A, 250V & 277VAC

Pass & Seymour

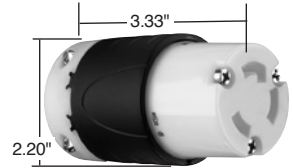


Turnlok® Locking Devices

Catalog Number	Rating A. V.	Description/Color	Cord Diameter	NEMA Config. No.	3rd Party Compliance		
					UL UL498	FSUL WC596	CSA
Receptacles							
L630R	30 250	Single Receptacle		L6-30R	•	•	•
IGL630R	30 250	Single Receptacle, Orange, Isolated Ground		L6-30R	•	•	•
L730R	30 277*	Single Receptacle		L7-30R	•	•	•
Connectors IP20 Suitability							
L630C	30 250	Black Back, White Front Body	.385"-1.150"	L6-30R	•	•	•
CRL630C	30 250	Yellow Back, White Front Body, Corrosion-Resistant	.385"-1.150"	L6-30R	•	•	•
L730C	30 277*	Black Back, White Front Body	.385"-1.150"	L7-30R	•	•	•
Plugs IP20 Suitability							
L630P	30 250	Black Back, White Front Body	.385"-1.150"	L6-30P	•	•	•
CRL630P	30 250	Yellow Back, White Front Body, Corrosion-Resistant	.385"-1.150"	L6-30P	•	•	•
L730P	30 277*	Black Back, White Front Body	.385"-1.150"	L7-30P	•	•	•
Flanged Inlets & Outlets							
L630FI	30 250	Gray Inlet		L6-30P	•	•	•
L630FO	30 250	Gray Outlet		L6-30R	•	•	•
L730FI	30 277*	Gray Inlet		L7-30P	•	•	•
L730FO	30 277*	Gray Outlet		L7-30R	•	•	•



30A Receptacle



30A Connector

*AC only.

Reference Pages I-37 and I-38 for Accessories.



NEMA
L6-30P



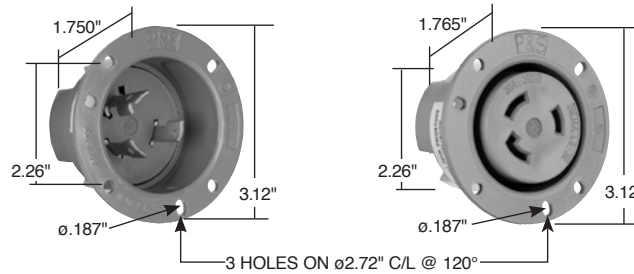
NEMA
L6-30R



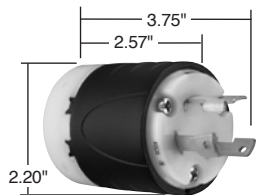
NEMA
L7-30P



NEMA
L7-30R

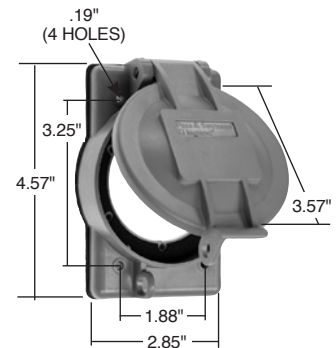


30A Flanged Inlet & Outlet



30A Plug

Catalog Number	Description	Color
Weatherproof Cover		
WPG2	Cover for 20 and 30A Turnlok Flanged Inlets and Outlets	Gray
Stainless Steel Wall Plate		
SS720	Wall Plate for Locking Receptacles	302 S/S



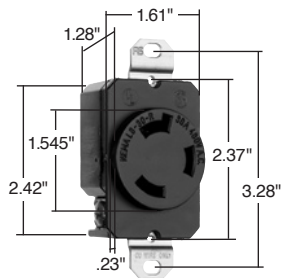
WPG2

All devices listed on this page conform to NEMA WD-1 and WD-6.

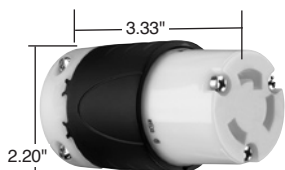
30 Amp NEMA L630 & L730

Industrial Spec Grade Turnlok® Locking Devices 30 Amp NEMA L830 & L930

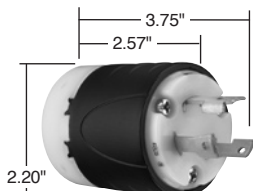
2 Pole, 3 Wire 30A, 480 & 600V



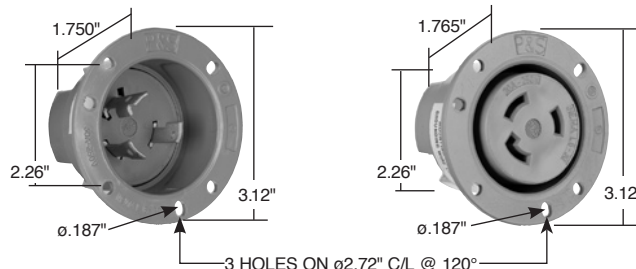
30A Receptacle



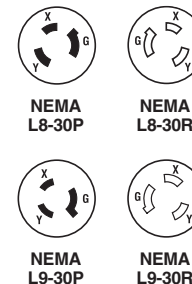
30A Connector



30A Plug

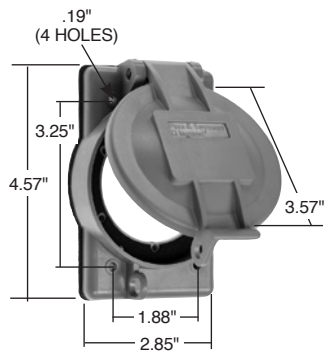


30A Flanged Inlet & Outlet



Catalog Number	Rating A. V.	Description/Color	Cord Diameter	NEMA Config. No.	3rd Party Compliance		
					UL UL498	FSUL WC596	CSA
Receptacles							
L830R	30 480	Single Receptacle		L8-30R	•	•	•
L930R	30 600	Single Receptacle		L9-30R	•	•	•
Connectors IP20 Suitability							
L830C	30 480	Black Back, White Front Body	.385"-1.150"	L8-30R	•	•	•
L930C	30 600	Black Back, White Front Body	.385"-1.150"	L9-30R	•	•	•
Plugs IP20 Suitability							
L830P	30 480	Black Back, White Front Body,	.385"-1.150"	L8-30P	•	•	•
L930P	30 600	Black Back, White Front Body	.385"-1.150"	L9-30P	•	•	•
Flanged Inlets & Outlets							
L830FI	30 480	Gray Inlet		L8-30P	•		•
L830FO	30 480	Gray Outlet		L8-30R	•		•
L930FI	30 600	Gray Inlet		L9-30P	•		•
L930FO	30 600	Gray Outlet		L9-30R	•		•

Reference Pages I-37 and I-38 for Accessories.



WPG2

Catalog Number	Description	Color
Weatherproof Cover		
WPG2	Cover for 20 and 30A Turnlok Flanged Inlets and Outlets	Gray
Stainless Steel Wall Plate		
SS720	Wall Plate for Locking Receptacles	302 S/S