

Twist-Lock® Devices

Switched Safety Enclosures

Switched Twist-Lock® and Hubbellock® Enclosures

UL Listed, CSA Certified
Type 3R and 12K Enclosure Rating

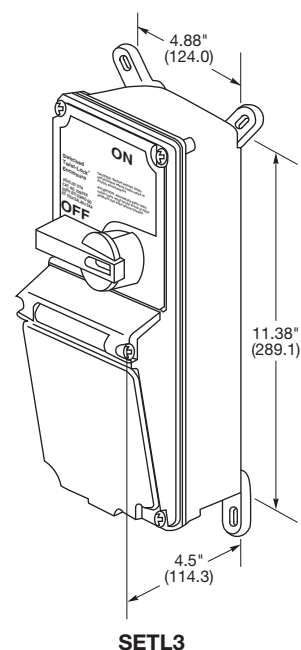


IP54
SUITABILITY

Switched Enclosure Ready for Twist-Lock® Receptacle Addition

Ideal unit for stockroom. This single unit provides the complete enclosure ready to accept any Hubbell 20 or 30A Twist-Lock receptacle.

Description	Ratings	Catalog Number
Switched Twist-Lock enclosure accommodates any NEMA 2 pole, 3 wire to 4 pole, 5 wire grounding receptacle (sold separately).	Amperage, voltage, and horsepower ratings will be determined by the choice of the NEMA 20 or 30A Twist-Lock receptacle selected.	SETL3
Auxiliary contact.	“Break After Main Break”, 1 set of n/o contacts, 1 set of n/c contacts.	HBLAC1
Auxiliary contact.	“Break Before Main Break”, 1 set of n/o contacts.	HBLAC2



Switched Enclosure Complete with Twist-Lock Receptacle

Completely pre-wired with a Twist-Lock receptacle, these application oriented combinations are available to satisfy your needs.

Description	NEMA Config.	Amp-erage	Voltage	Horsepower	Switched Enclosure Catalog Numbers	Use Twist-Lock Plug Catalog Numbers
Switched Twist-Lock enclosure with a pre-wired HBL2720 receptacle.	L15-30R	30	3Ø 240V AC	7.5	SE2720A	HBL2721
Switched Twist-Lock enclosure with a pre-wired HBL2730 receptacle.	L16-30R	30	3Ø 480V AC	15	SE2730A	HBL2731

Switched Enclosure Ready for Hubbellock Receptacle Addition

Ideal unit for stockroom. This single unit provides the complete enclosure ready to accept your 30A, 4 wire Hubbellock receptacle choice.

Description	Ratings	Catalog Number
Switched enclosure for use with 3 pole 4 wire 30A Hubbellock receptacle (sold separately).	Amperage, voltage, and horsepower ratings will be determined by the choice of the 4 wire Hubbellock receptacle selected.	SEHBL3
Auxiliary contact.	“Break After Main Break”, 1 set of n/o contacts, 1 set of n/c contacts.	HBLAC1
Auxiliary contact.	“Break Before Main Break”, 1 set of n/o contacts.	HBLAC2

