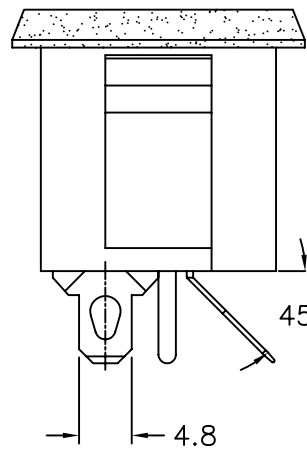
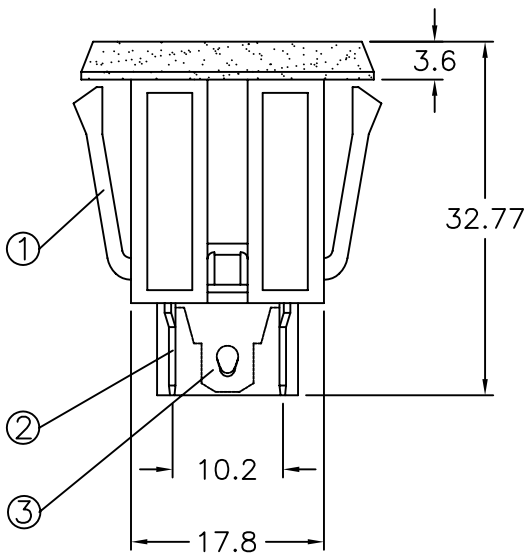
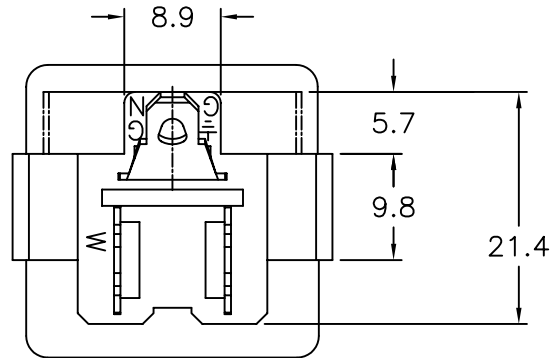
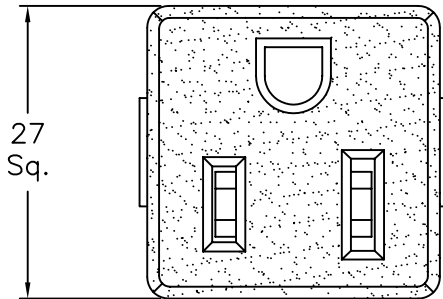
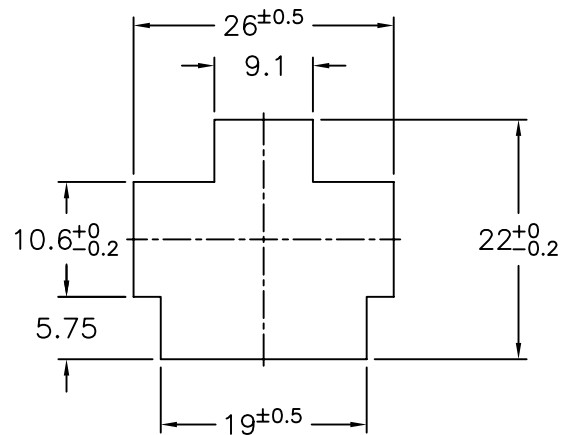


DCP #	REV	DESCRIPTION	DRAWN	DATE	CHECKD	DATE	APPRVD	DATE
1536	B	Updated	JWM	5/20/98	JC	5/20/98	JC	5/20/98
1780	C	RoHS ADDED	DCM	12/27/05	JWM	12/27/05	JWM	12/27/05



NOTES:  
 Rating: 15A, 125VAC  
 Material: UL94V-0



Mounting Hole Cut-Out  
 Panel Thickness Range: 0.8mm~2.0mm

3	Soldering	PIN A	0.6t Tin-Plated
2	Soldering	PIN A	0.6t Tin-Plated
1	Body Insulator	NYLON 21SP	Black Color



SPC-F004.DWG

TOLERANCES: UNLESS OTHERWISE SPECIFIED, DIMENSIONS ARE FOR REFERENCE PURPOSES ONLY.	DRAWN BY:	DATE:	DRAWING TITLE:			
	Jeff McVicker	2/2/98	Outlet Receptacle, AC Power, NEMA 5-15R, Snap-IN Mount			
	CHECKED BY:	DATE:	SIZE	DWG. NO.	ELECTRONIC FILE	REV
	John Cole	2/4/98	A	2142	92N4145.dwg	C
APPROVED BY:	DATE:	SCALE: NTS		U.O.M.: Millimeters		SHEET: 1 OF 1
Brett Braatz	2/5/98					

ALL RIGHTS RESERVED. NO PORTION OF THIS PUBLICATION, WHETHER IN WHOLE OR IN PART CAN BE REPRODUCED WITHOUT THE EXPRESS WRITTEN CONSENT OF SPC TECHNOLOGY. DISCLAIMER: ALL STATEMENTS AND TECHNICAL INFORMATION CONTAINED HEREIN ARE BASED UPON INFORMATION AND/OR TESTS WE BELIEVE TO BE ACCURATE AND RELIABLE. SINCE CONDITIONS OF USE ARE BEYOND OUR CONTROL, THE USER SHALL DETERMINE THE SUITABILITY OF THE PRODUCT FOR THE INTENDED USE AND ASSUME ALL RISK AND LIABILITY WHATSOEVER IN CONNECTION THEREWITH.