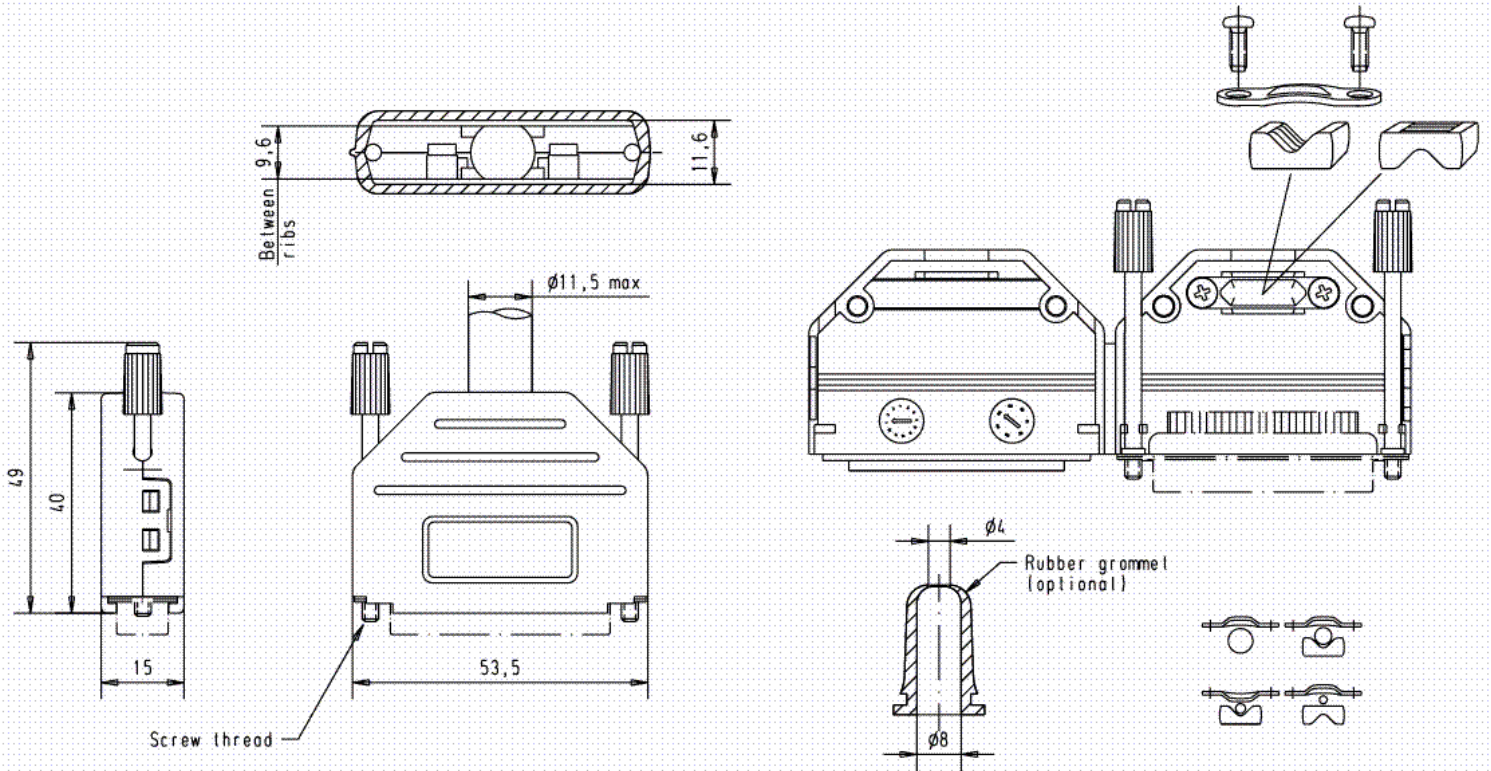




Alle Rechte vorbehalten/ All rights reserved



					Dat. None Detail: 28-MAR-02 CV Insp. Stand.		 All Dim. in mm Orig. Size DIN A 4	D-Sub, Top entry hood with knurled screws 25 poles Thermoplastic block	Maßstab/ Scale 1:1
					HARTING EURL F-95972 Paris				
09 67 025 0426	M3	31085	4-SEP-02	CV					
09 67 025 0424	4-40 UNC	29760	28-MAR-02	CV					
Part number	Screw thread	Mod.	Dat.	Name					