

SUBCON-PLUS-PROFIB/SC2

Order No.: 2708232



<http://eshop.phoenixcontact.co.uk/phoenix/treeViewClick.do?UID=2708232>

SUB-D connector, 9-pos., angled, bus system: Profibus with 12 Mbps (termination resistor can be connected via a slide switch), pin assignment: 3, 5, 6, 8, Version: Male



Commercial data	
EAN	4017918960483
Pack	1 Pcs.
Customs tariff	85369010
Weight/Piece	35.30 g
Product key	H631
Catalog page information	Page 235 (NTK-2008)

Product notes

WEEE/RoHS-compliant since: 20/10/2006



Please note that the data given here has been taken from the online catalog. For comprehensive information and data, please refer to the user documentation at <http://www.download.phoenixcontact.com>. The General Terms and Conditions of Use apply to Internet downloads.

Technical data	
General data	
Nominal voltage U_N	60 V AC/DC
Nominal current I_N	1 A
Bus system	PROFIBUS-DP
Insertion/withdrawal cycles	> 200

Max. cable diameter	8.4 mm
Min. cable diameter	7.6 mm
SUBCON fixing screws	4-40 UNC
Tightening torque	0.4 Nm
Ambient temperature (operation)	-20 °C ... 75 °C
Ambient temperature (storage/transport)	-25 °C ... 80 °C
Housing material	ABS, metal-plated
Pin assignment	3, 5, 6, 8

Connection data

Connection	D-SUB connection
Number of positions	9
Type of connection	D-SUB connector
Connection	PCB connection
Type of connection	Screw connection
Conductor cross section solid min.	0.14 mm ²
Conductor cross section solid max.	1.5 mm ²
Conductor cross section stranded min.	0.14 mm ²
Conductor cross section stranded max.	1 mm ²
Conductor cross section AWG/kcmil min.	26
Conductor cross section AWG/kcmil max	16
Stripping length	5 mm
Tightening torque	0.4 Nm

Certificates



Certification CUL, UL

Accessories

Item	Designation	Description
Cable/conductor		
2744652	PSM-CABLE-PROFIB/FC	PROFIBUS cable, Fast Connect type, up to 12 Mbit/s (02YSY (ST)CY 1x2x22 AWG)

General

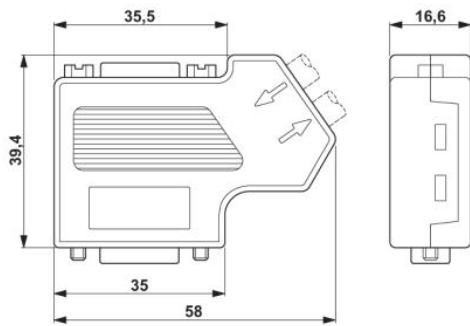
2744636	PSM-STRIP-KNIFEBLOCK	Spare knife block for quick stripping tool
---------	----------------------	--------------------------------------------

Tools

2744623	PSM-STRIP-FC/PROFIB	Quick stripping tool for Profibus cable, type Fast Connect
1204384	QUICK WIREFOX 6	Stripping tool for cables with PVC insulation, stripping range: 0.08 to 6 mm ² , wire cutting up to 6 mm ² flexible or 4 mm ² rigid
1205037	SZS 0,4X2,5	Screwdriver, bladed, matches all screw terminal blocks up to 1.5 mm ² connection cross section, blade: 0.4 x 2.5 mm

Drawings

Dimensioned drawing



Dimensional drawing SUBCON-PLUS-PROFIB...

Address

PHOENIX CONTACT Ltd
Halesfield 13
Telford / Shropshire / TF7 4PG, England
Phone 01952 681 700
Fax 01952 681 799
<http://www.phoenixcontact.co.uk>



Phoenix Contact Ltd.
Technical modifications reserved;