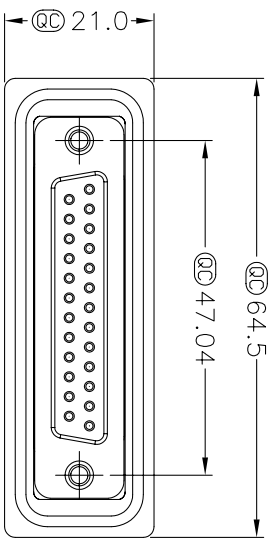
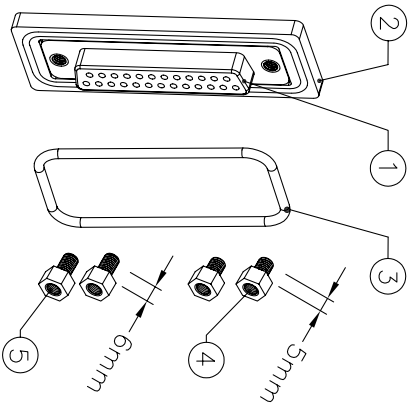
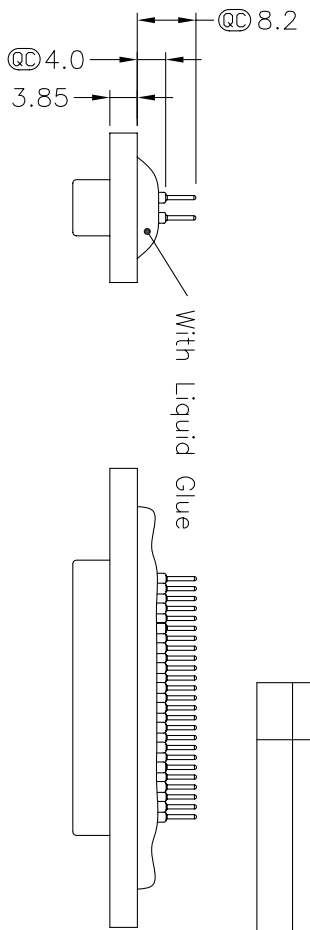
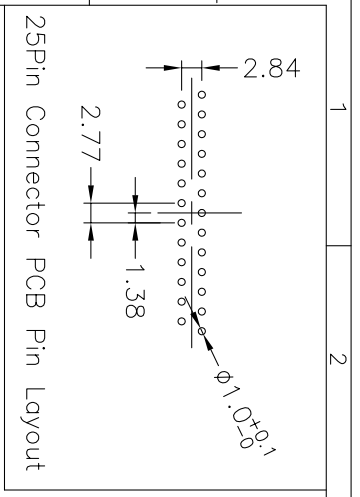


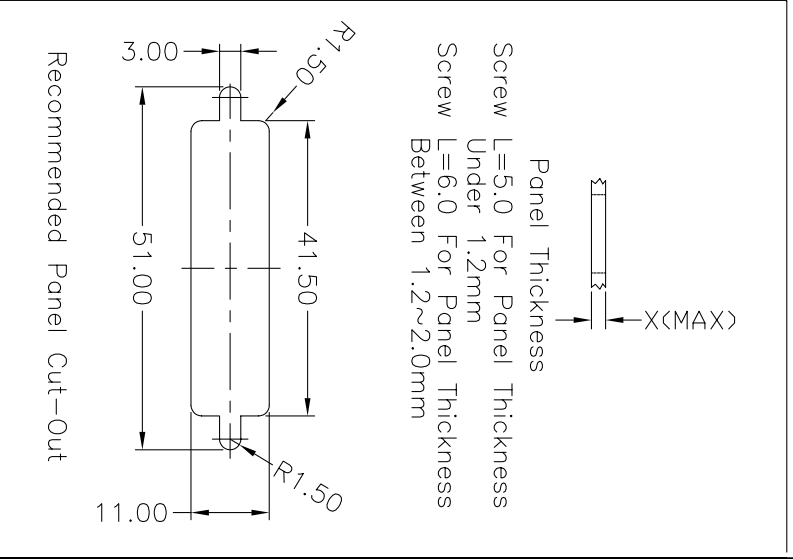
REV.	ECH. NO.	DATE	SIGN	DESCRIPTION



Warning! Drawings & Specifications Are Subject To Change Without Notification

LTWSDB-25PFFP-SL7001	LTWSDB-25PMMP-SL7001
LTWSDB-25PFFP-SL8001	LTWSDB-25PMMP-SL8001
P13	P1
P14	P14
P25	P25

Note:  
1. Materials  
① Connector : D-SUB 25Pin, Pin: Brass,Gold Flash  
② Plastic Jacket : Nylon+Glass Filled  
③ Ring : Silicone  
④⑤ Screw : Brass,Nickel Plated  
2.  $\phi$  Important Dimension.



Pin Assignments Front View

TITLE D-SUB For Panel Mount, 25Pin,PCB Type 180°

UNIT : mm	SCALE 1:1	SHEET 1 OF 1
TOLERANCE .X ±0.25 .XX ±0.1 .XXX ±0.05 ANGLES ±1°	REV. A	SIZE A4
		QC : Inspection Item

LTW

亮泰企業股份有限公司

ITEM NO	DWG NO	CUSTOMER	DRAWN BY	DATE
	LTWSDB-25PXXP-SLX001		Ju Xiao Fang	2004/07/16
			CHECKED BY	DATE
			APPROVED BY	DATE