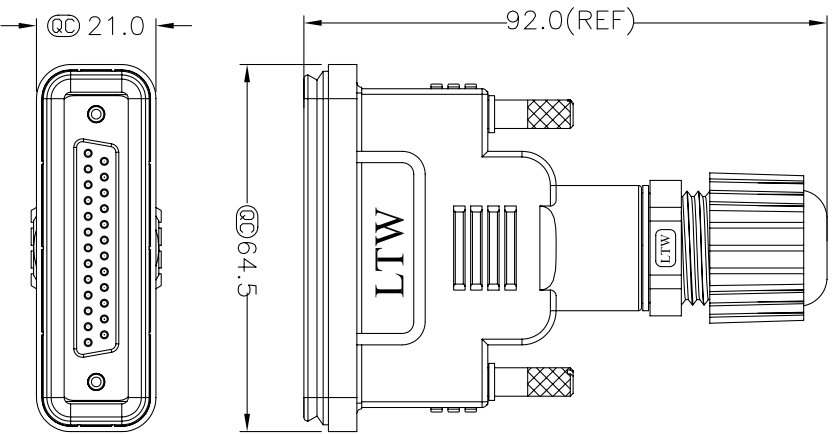
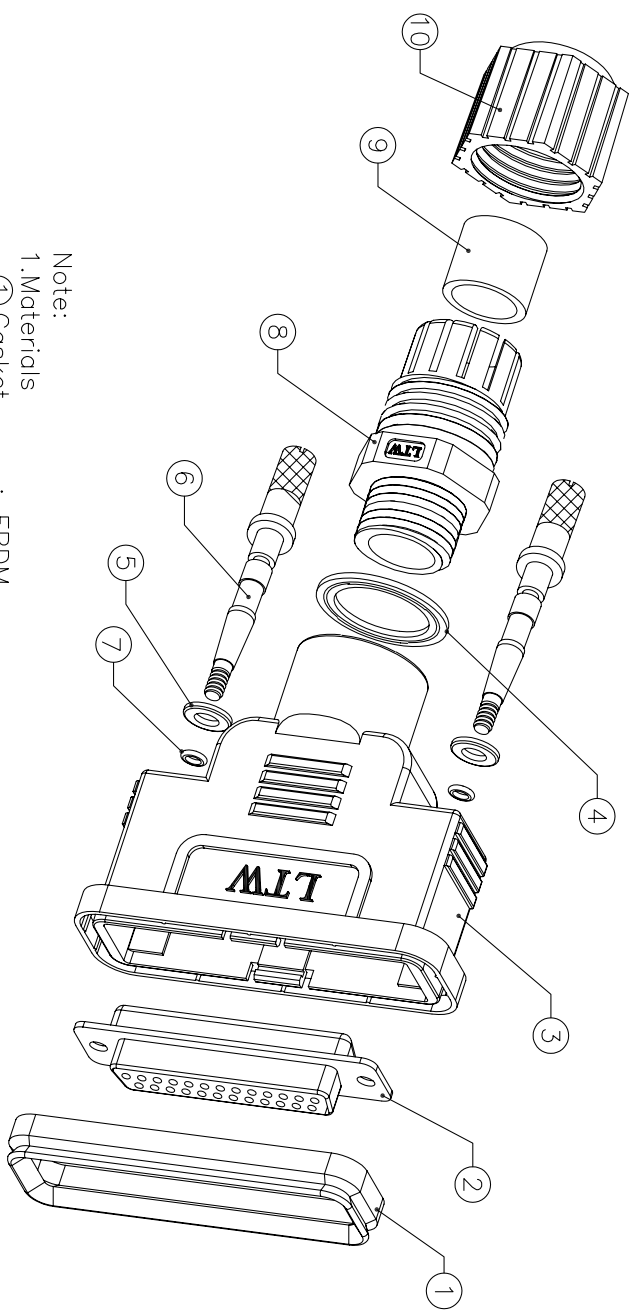


REV.	ECN NO.	DATE	SIGN	DESCRIPTION



LTWSDB-25BFA-SL7001	LTWSDB-25BMA-SL7001
Pin1	Pin14
Pin13	Pin1
Pin25	Pin25
Pin14	Pin13

Pin Assignments Front View

Warning! Drawings & Specifications Are Subject To Change Without Notification

- Note:
1. Materials
- ① Gasket : EPDM
 - ② Connector : D-SUB 25Pin, Pin: Brass,Gold Flash
 - ③ Housing : ABS,UL94V-0
 - ④ ⑤ Gasket : EPDM
 - ⑥ Screw : Brass,Nickel Plated
 - ⑦ O-Ring : Silicone
 - ⑧ Body : Nylon
 - ⑨ Seals : EPDM
 - ⑩ Sealing Nut : Nylon
2. Seals for Cable OD:ø6.0mm~ø10.0mm
3. @@ Important Dimension.

UNIT : mm	TITLE
±0.5mm	D-SUB 25Pin Assembly Type

SCALE	REV.	SIZE	SHEET	OF
Free	A	A4	1	1

亮泰企業股份有限公司

LTW

ITEM NO
LTWSDB-25BXXA-SL7001

DWG NO
LTWSDB-25BXXA-SL7001

1	2	3	4	5	6	7	8