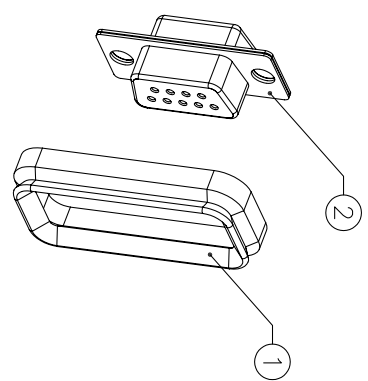
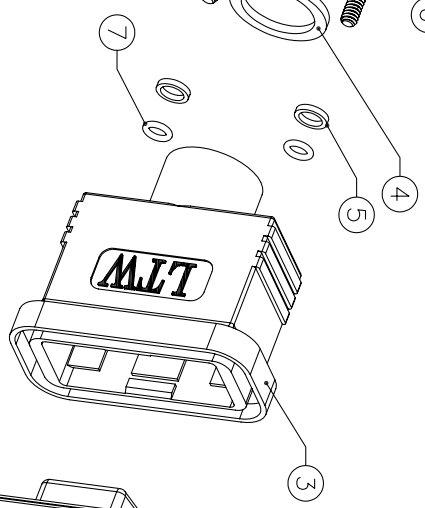
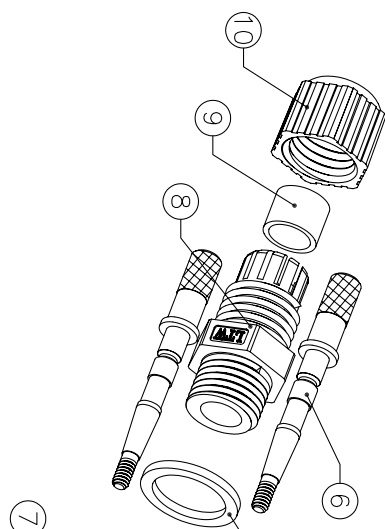
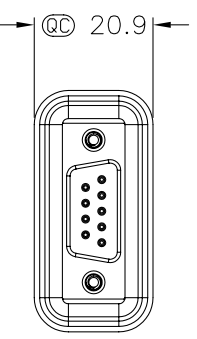
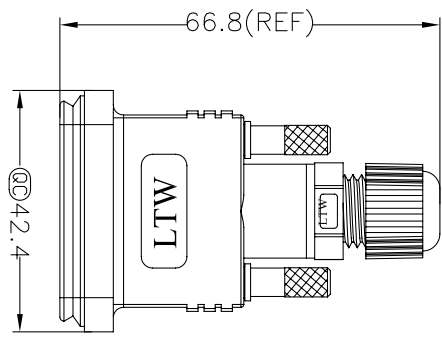


REV.	ECH. NO.	DATE	SIGN	DESCRIPTION



Note:

1. Materials

- ① Gasket : EPDM
 - ② Connector : D-SUB 9Pin, Pin: Brass,Gold Flash
 - ③ Housing : ABS,UL94V-0
 - ④ ⑤ Gasket : EPDM
 - ⑥ Screw : Brass,Nickel Plated
 - ⑦ O-Ring : Silicone
 - ⑧ Body : Nylon
 - ⑨ Seals : EPDM
 - ⑩ Sealing Nut : Nylon
2. Seals For Cable OD:φ3.5mm~φ7.0mm
3. @ Important Dimension.

Warning! Drawings & Specifications Are Subject To Change Without Notification

LTW/SDB-09BFFA-SL7001	LTW/SDB-09BMMA-SL7001
Pin1 Pin6	Pin6 Pin1
Pin5 Pin9	Pin9 Pin5

Pin Assignments Front View

TITLE D-SUB 9Pin Assembly Type

SCALE Free SHEET 1 of 1

REV. A SIZE A4 @ Inspection Item

LTW

亮泰企业股份有限公司

ITEM NO. DRAWN BY Ju Xiao Fang DATE 2004/07/27

DWG NO. LTW/SDB-09BXXA-SL7001 CHECKED BY DATE

CUSTOMER APPROVED BY DATE

8 FM-04-19-A1

UNIT : mm
TOLERANCE ±0.5mm

1 2 3

4 5

6 7 8