

Order Code	
No. of Ways	9
Plugs	15
	25
	38
Sockets	9
	15
	25
	37

EDA

REV.	ZONE	LTR	DESCRIPTION
------	------	-----	-------------

8LA M 025 P - 3 0 1 A
 (1) (2) (3) (4) (5) (6) (7) (8)

1. SERIES NUMBER :

- 8LA : D-SUB RIGHT ANGLE 8.08 (.318") FOOT PRINT 2.84 (.112") CONNECTOR
- 8LB : D-SUB RIGHT ANGLE 14.84 (.584") FOOT PRINT 2.84 (.112") CONNECTOR
- 8LC : D-SUB RIGHT ANGLE 10.20 (.402") FOOT PRINT 2.54 (.100") CONNECTOR
- 8LD : D-SUB RIGHT ANGLE 10.20 (.402") FOOT PRINT 2.84 (.112") CONNECTOR
- 8LF : D-SUB RIGHT ANGLE 5.08 (.200") FOOT PRINT 2.54 (.100") CONNECTOR

2. HOUSING CONSTRUCTION TYPE :

- M : WITH METAL FRONT SHELL
- P : ALL PLASTIC

3. NUMBER OF CONTACTS :

- 009 - 9 POSITIONS
- 015 - 15 POSITIONS
- 025 - 25 POSITIONS
- 037 - 37 POSITIONS

4. CONTACT TYPES :

- P - PLUG (MALE TYPE)
- S - SOCKET (FEMALE TYPE)

5. COLOR CODES :

- 3 - BLACK

6. CONTACT FINISH :

- 0 - GOLD FLASH OVER 30μ" NICKEL
- 2 - 15 μ" GOLD OVER 50μ" NICKEL
- 3 - 30 μ" GOLD OVER 50μ" NICKEL

7. METAL SHELL FINISH :

- 0 - WITHOUT METAL SHELL
- 1 - TIN PLATED SHELL WITH GROUNDING INDENTS
- 2 - YELLOW CHROMATE OVER ZINC SHELL WITHOUT GROUNDING INDENTS
- 3 - YELLOW CHROMATE OVER ZINC SHELL WITH GROUNDING INDENTS
- 4 - TIN PLATED SHELL WITHOUT GROUNDING INDENTS
- 5 - NICKEL PLATED SHELL WITHOUT GROUNDING INDENTS
- 6 - NICKEL PLATED SHELL WITH GROUNDING INDENTS

8. MOUNTING TYPES :

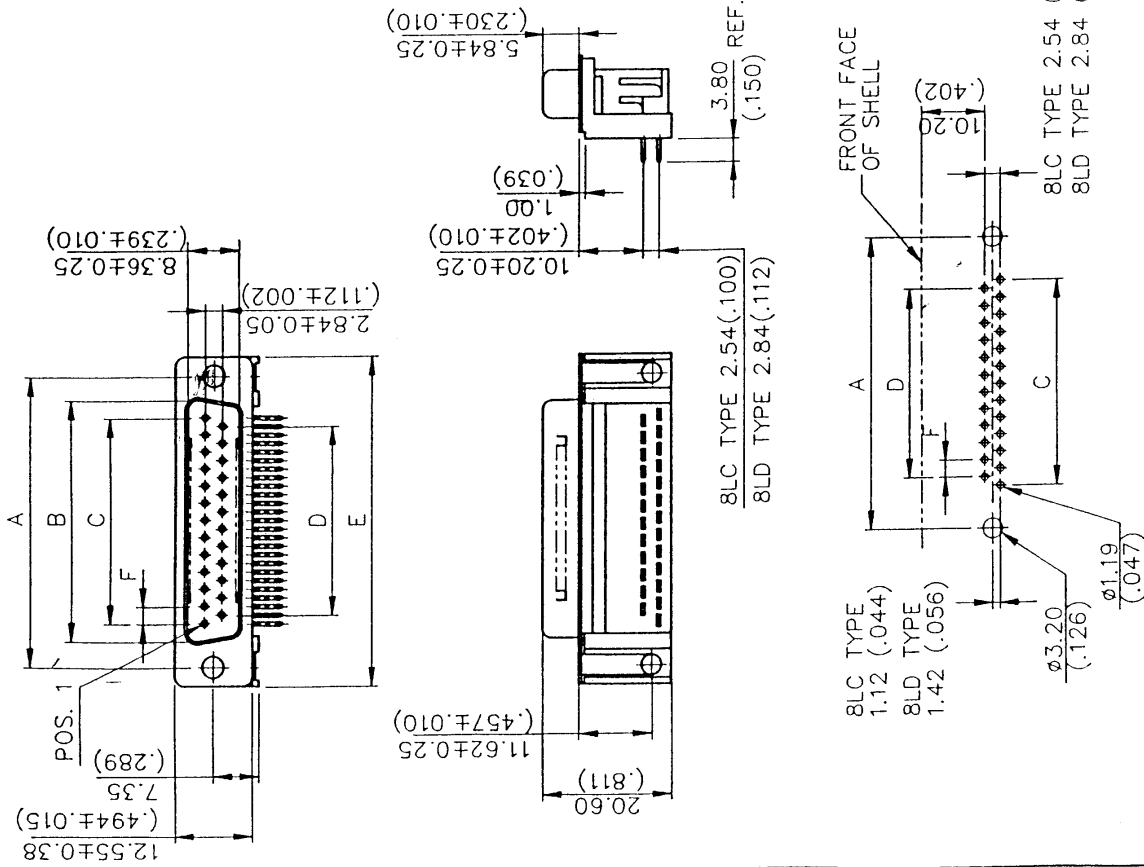
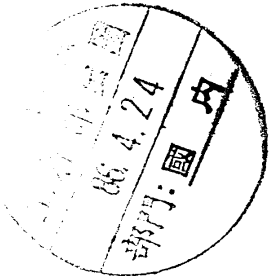
- A - WITH BOARDLOCK GROUNDING BRACKET & WITH 4#-40UNC THREADED RIVETED INSERT
- B - WITH BOARDLOCK GROUNDING BRACKET & WITH SCREWLOCK
- C - WITH 4#-40UNC MOUNTING HOLE & WITH 4#-40UNC THREADED RIVETED INSERT
- D - WITH Ø3.20 MOUNTING HOLE & WITH 4#-40UNC THREADED RIVETED INSERT
- E - WITH 4#-40UNC MOUNTING HOLE & WITH SCREWLOCK
- F - WITH Ø3.20 MOUNTING HOLE & WITH SCREWLOCK
- G - WITH Ø3.20 MOUNTING HOLE GROUNDING STRAP & WITH 4#-40UNC THREADED RIVETED INSERT
- H - WITH Ø3.20 MOUNTING HOLE GROUNDING STRAP & WITH SCREWLOCK
- J - WITH BOARDLOCK GROUNDING BRACKET & WITH 4#-40UNC THREADED RIVETED INSERT
- K - WITH BOARDLOCK GROUNDING BRACKET & WITH SCREWLOCK
- L - WITH Ø3.20 MOUNTING HOLE & WITH 4#-40UNC THREADED RIVETED INSERT
- N - WITH Ø3.20 MOUNTING HOLE & WITH 4#-40UNC THREADED RIVETED INSERT
- P - WITH Ø3.20 MOUNTING HOLE & WITH SCREWLOCK
- S - WITH Ø3.20 MOUNTING HOLE GROUNDING STRAP & 4#-40UNC THREADED RIVETED INSERT
- U - WITH BOARDLOCK GROUNDING BRACKET & 4#-40UNC THREADED RIVETED INSERT
- V - WITH BOARDLOCK GROUNDING BRACKET & WITH SCREWLOCK

8LB

MATERIAL		TOLERANCE UNSPECIFIED		PART NO.	
X		.000 ±		EDA INC.	
		.000 ±		SCALE 1:1	
FINISH		ANGLE		UNIT mm (inch)	
X		DRAWN 高雅芬 88.06.30		SHEET 1/2	
		DESIGNER		8LA /B/C/D	
		CHECKED		ORDERING INFORMATION	
		APPROVED		DRAWING NO. R-S18LA-S	
		w/2-6/79-94		REV. 1	
				A3 RS18LAS1	

SPECIFICATION:

CURRENT RATING: 5A
 INSULATION RESISTANCE: 5000 MΩ MIN. AT 500 V DC.
 DIELECTRIC WITHSTANDING VOLTAGE: AC 1000 V MIN.(FOR 1 MINUTE)
 CONTACT RESISTANCE: 15 mΩ MAX.
 OPERATING TEMPERATURE: -55°C~105°C
 INSULATOR MATERIAL: P.B.T & GLASS-FIBER REINFORCED UL 94V-0
 CONTACT MATERIAL: BRASS,GOLD OVER NICKEL
 SHELL: STEEL,TIN OR ZINC PLATED



2.77 (.109)	69.40 (2.732)	47.09 (1.854)	49.86 (1.963)	55.42 (2.182)	63.50 (2.500)	8LC/D 37P
2.77 (.109)	53.09 (2.09)	30.47 (1.200)	33.24 (1.309)	38.96 (1.534)	47.04 (1.852)	8LC/D 25P
2.74 (.108)	39.10 (1.539)	16.44 (.647)	19.18 (.755)	25.25 (.994)	33.32 (1.312)	8LC/D 15P
2.74 (.108)	30.89 (1.216)	8.22 (.324)	10.96 (.431)	16.92 (.666)	24.99 (.984)	8LC/D 9P
F±0.05 (.002)	E±0.38 (.015)	D±0.13 (.005)	C±0.13 (.005)	B±0.25 (.010)	A±0.13 (.005)	PART NO.

MATERIAL		TOLERANCE UNSPECIFIED		MEDA INC.	
FINISH		ANGLE		SCALE	
DRAWN		± 0.25		UNIT	
DESIGNER		± ± ± ±		NAME	
CHECKED		DRAWING NO. 22-97		8LC/D R/A P.C.B. CONN. 1	
APPROVED		DESIGNER		(部 門 號 : E-00316)	
		CHECKED		DRAWING NO. R-S18LC-1	
		APPROVED		REV. 0	

RECOMMENDED P.C.B LAYOUT

工程 部