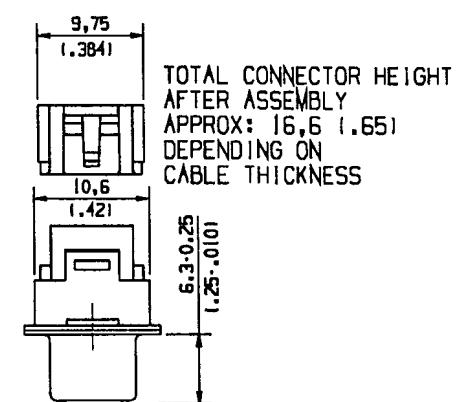
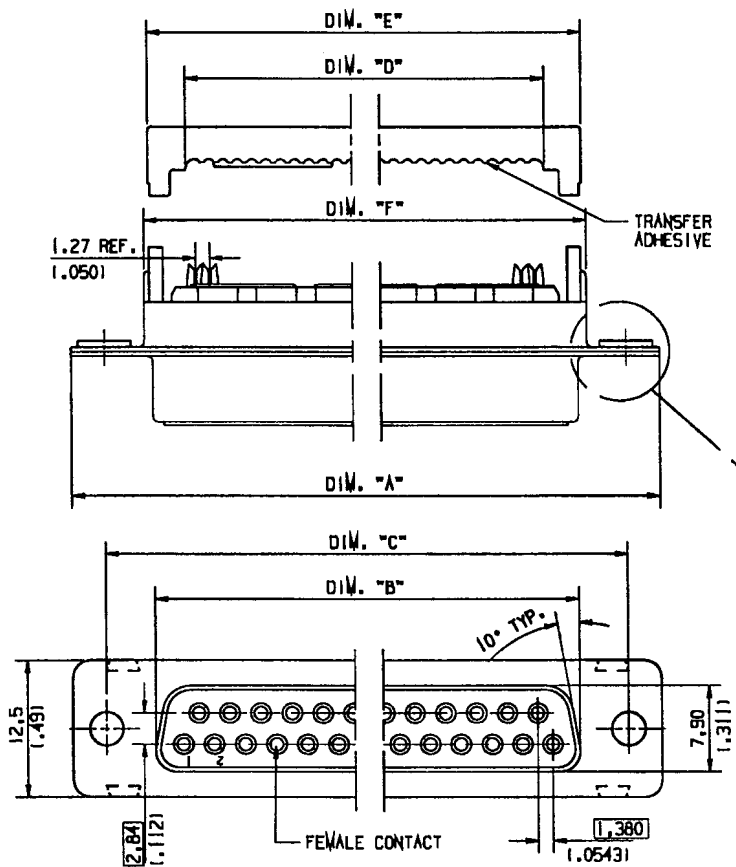
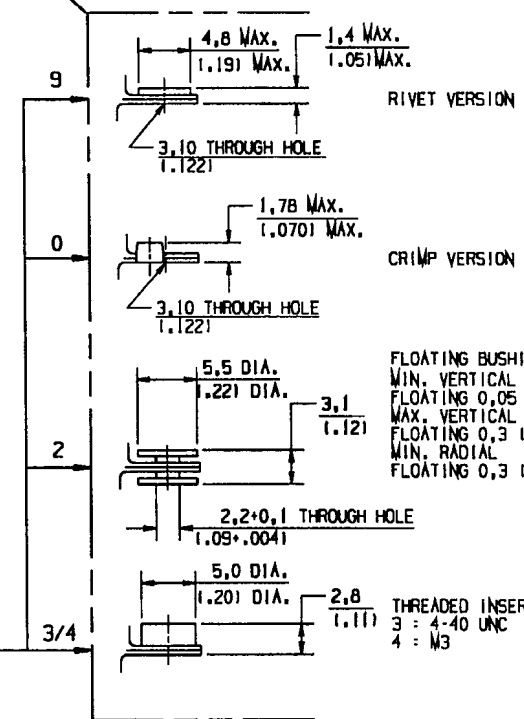
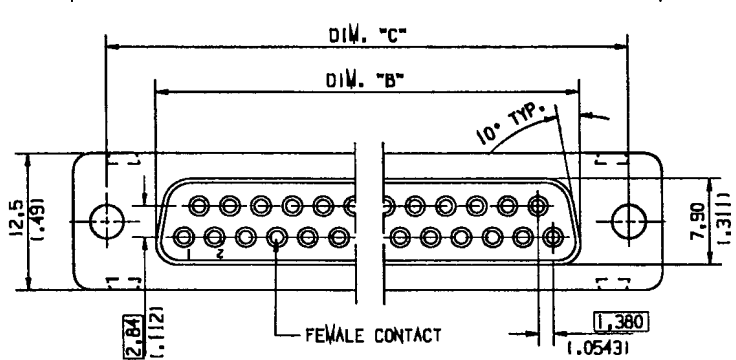


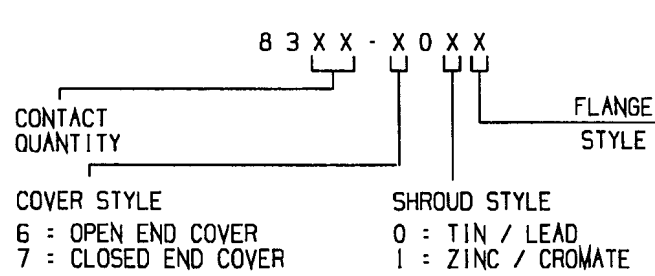
CONTACT QUANTITY	3M PART NUMBER	DIM. "A" + 0 mm - 0,76 mm	DIM. "B" + 0,10 mm - 0,10 mm	DIM. "C" + 0,10 mm - 0,10 mm	DIM. "D" + 0,10 mm - 0,10 mm	DIM. "E" + 0,10 mm - 0,10 mm	DIM. "F" + 0,25 mm - 0,25 mm
9	8309-X0XX	31,19(1.228)	16,30(.641)	25,00(1.984)	11,75(.462)	16,90(.665)	17,81(.70)
15	8315-X0XX	39,52(1.556)	24,70(.972)	33,30(1.311)	19,40(.763)	25,20(.992)	26,11(1.03)
25	8325-X0XX	53,42(2.103)	38,40(1.511)	47,00(1.850)	32,20(1.267)	39,00(1.535)	39,81(1.57)
37	8337-X0XX	69,70(2.744)	54,80(2.157)	63,50(2.500)	47,60(1.874)	55,50(2.185)	56,31(2.22)



TOTAL CONNECTOR HEIGHT AFTER ASSEMBLY APPROX: 16,6 (1.65) DEPENDING ON CABLE THICKNESS



ORDERING INFORMATION



IMPORTANT NOTICE TO PURCHASER: ALL STATEMENTS TECHNICAL INFORMATION AND RECOMMENDATIONS CONTAINED HEREIN ARE BASED ON TESTS WE BELIEVE TO BE RELIABLE BUT THE ACCURACY OR COMPLETENESS THEREOF IS NOT GUARANTEED, AND THE FOLLOWING IS MADE IN LIEU OF ALL WARRANTIES, EXPRESS OR IMPLIED: SELLER'S AND MANUFACTURER'S ONLY OBLIGATION SHALL BE TO REPLACE SUCH QUANTITY OF THE PRODUCT PROVED TO BE DEFECTIVE. NEITHER SELLER NOR MANUFACTURER SHALL BE LIABLE FOR ANY INJURY, LOSS OR DAMAGE, DIRECT OR CONSEQUENTIAL, ARISING OUT OF THE USE OF OR THE INABILITY TO USE THE PRODUCT, BEFORE USING. USER SHALL DETERMINE THE SUITABILITY OF THE PRODUCT FOR HIS INTENDED USE, AND USER ASSUMES ALL RISK AND LIABILITY WHATSOEVER IN CONNECTION THEREWITH. NO STATEMENT OR RECOMMENDATION NOT CONTAINED HEREIN SHALL HAVE ANY FORCE OR EFFECT UNTIL IN AN AGREEMENT SIGNED BY OFFICERS OF SELLER AND MANUFACTURER.

Electronic Products Division  
**3M**

B	OCTOBER 10, 1996	REV.	CH.
ISSUE	ISSUE DATE	REV.	CH.
D - SUB CONNECTOR FEMALE			
CS 4224			SHEET 1/2

TOLERANCE UNLESS NOTED		
MM (INCH)		
	.0	.000
	.00	.000
	.00	.000
MM	± .25	± .10
MM	± .00	± .005

DR. SPIJKER  
APP. HORNIG

# DELTA CONNETOR SPECIFICATION

**SCOPE :** This specification details the requirements for a multipurpose socket connector having .0545" (1,384 mm)x .112" (2,84 mm) contact spacing transition between round conductor flat cable on .050" (1,27 mm ) centers and a plug connector having similar spacing

**UL FILE NO. :** E 68080  
**CSA FILE NO.:** LR 40971

## **SPECIFICATIONS:**

<b><u>PHYSICAL</u></b>	<b>INSULATOR MATERIAL</b>	Glass reinforced polyester Flammability rating:UL 94V-0
	<b>COLOR</b>	Grey
	<b>MARKING</b>	Raised figures; 3M logo; part identification/date code number;contact position number
	<b>SHELL MATERIAL</b>	Steel
	<b>PLATING</b>	Tin
	<b>CONTACT MATERIAL</b>	Copper alloy
	<b>PLATING</b>	Selective gold in functional area over nickel
	<b>WIRE ACCOMMODATION</b>	26 AWG solid or stranded 28 AWG solid or stranded
	<b>THREADED INSERT PUSH OUT FORCE</b>	50 N min
<b><u>ELECTRICAL</u></b>	<b>CURRENT RATING</b>	1A
	<b>INSULATING RESISTANCE</b>	$>1 \times 10^9 \Omega @ 500 \text{ vdc}$
	<b>WITHSTANDING VOLTAGE</b>	1000 VRMS @ Sea Level
<b><u>ENVIRONMENTAL</u></b>	<b>TEMPERATURE RATING</b>	-67 °F to +221 °F (-55 °C to +105 °C)

CS 4224 Sheet 2/2 Issue B

Electronic Products Division/3M  
3M Laboratories (Europa) GmbH  
D-21082 Hamburg

