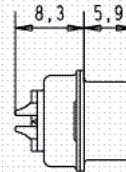
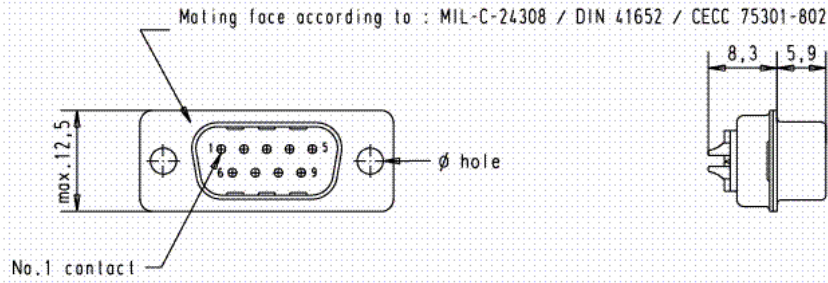
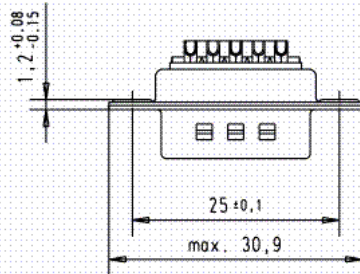
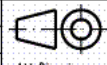



Alle Rechte vorbehalten/ All rights reserved

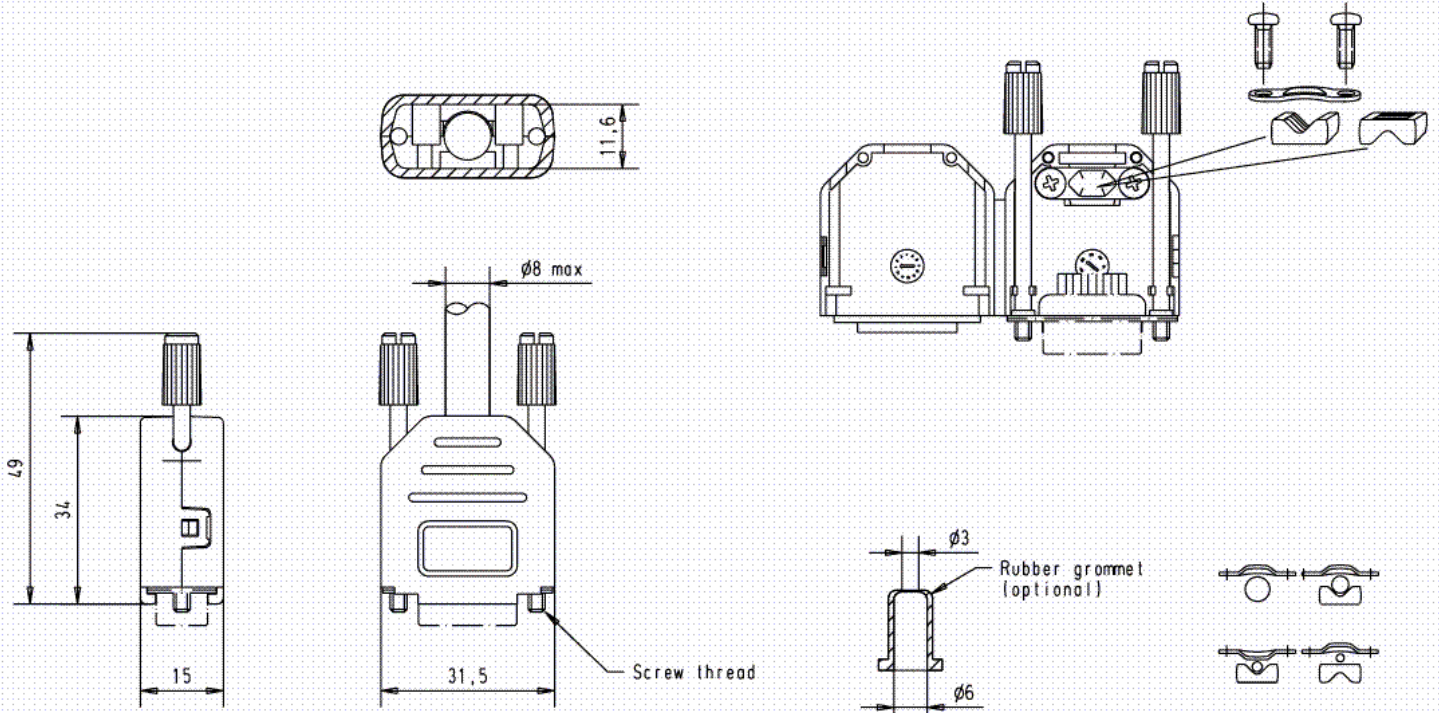


Max wire ø 1,05 mm



|                   |                     |                   |      |      |      | Det.                          | Name      | <br>D-Sub, Male, Straight 09 Poles<br>with stamped solder buckets<br>and hole | Meßstab/<br>Scale |       |
|-------------------|---------------------|-------------------|------|------|------|-------------------------------|-----------|--|-------------------|-------|
| 09 67 209 5615.05 | 3,1 <sup>+0,1</sup> | S4                |      |      |      | Detail.                       | 24-APR-02 |  | CV                | 1.5:1 |
| 09 67 209 5615.00 | 3,1 <sup>+0,1</sup> | 2                 |      |      |      | Insp.                         |           |  |                   |       |
| 09 67 209 5604.00 | 3,1 <sup>+0,1</sup> | 3                 |      |      |      | Stand.                        |           |  |                   |       |
| Part number       | ø hole              | Performance level | Med. | Det. | Name | HARTING EURL<br>F-95972 Paris |           | <br>TB 096720956xx  | Blatt/ Page       |       |
|                   |                     |                   |      |      |      |                               |           |  | Sub.              | 1     |

Alle Rechte vorbehalten / All rights reserved



|                |              |       |           |      |   |                       |                             |      |      |        |           |    |       |  |  |        |  |  |  |  |                                   |
|----------------|--------------|-------|-----------|------|---|-----------------------|-----------------------------|------|------|--------|-----------|----|-------|--|--|--------|--|--|--|--|-----------------------------------|
|                |              |       |           |      | <table border="1"> <tr> <td></td> <td>Date</td> <td>Name</td> </tr> <tr> <td>Detail</td> <td>28-MAR-02</td> <td>CV</td> </tr> <tr> <td>Insp.</td> <td></td> <td></td> </tr> <tr> <td>Stand.</td> <td></td> <td></td> </tr> </table> |                       |                             | Date | Name | Detail | 28-MAR-02 | CV | Insp. |  |  | Stand. |  |  | <p>All Dim. in mm<br/>Orig. Size DIN A 4</p> | <p>D-Sub, Top entry hood<br/>with knurled screws<br/>9 poles<br/>Thermoplastic block</p> | <p>Meßstab/<br/>Scale<br/>1:1</p> |
|                | Date         | Name  |           |      |   |                       |                             |      |      |        |           |    |       |  |  |        |  |  |  |  |                                   |
| Detail         | 28-MAR-02    | CV    |           |      |   |                       |                             |      |      |        |           |    |       |  |  |        |  |  |  |  |                                   |
| Insp.          |              |       |           |      |   |                       |                             |      |      |        |           |    |       |  |  |        |  |  |  |  |                                   |
| Stand.         |              |       |           |      |   |                       |                             |      |      |        |           |    |       |  |  |        |  |  |  |  |                                   |
| 09 67 009 0426 | M3           | 31085 | 4-SEP-02  | CV   | <p>HARTING EURL<br/>F-95972 Paris</p>   | <p>TB 0967009042x</p> | <p>Blatt / Page<br/>1 /</p> |      |      |        |           |    |       |  |  |        |  |  |  |  |                                   |
| 09 67 009 0424 | 4-40 UNC     | 29760 | 28-MAR-02 | CV   |   |                       |                             | Sub. |      |        |           |    |       |  |  |        |  |  |  |  |                                   |
| Part number    | Screw thread | Mod.  | Date      | Name |   |                       |                             |      |      |        |           |    |       |  |  |        |  |  |  |  |                                   |