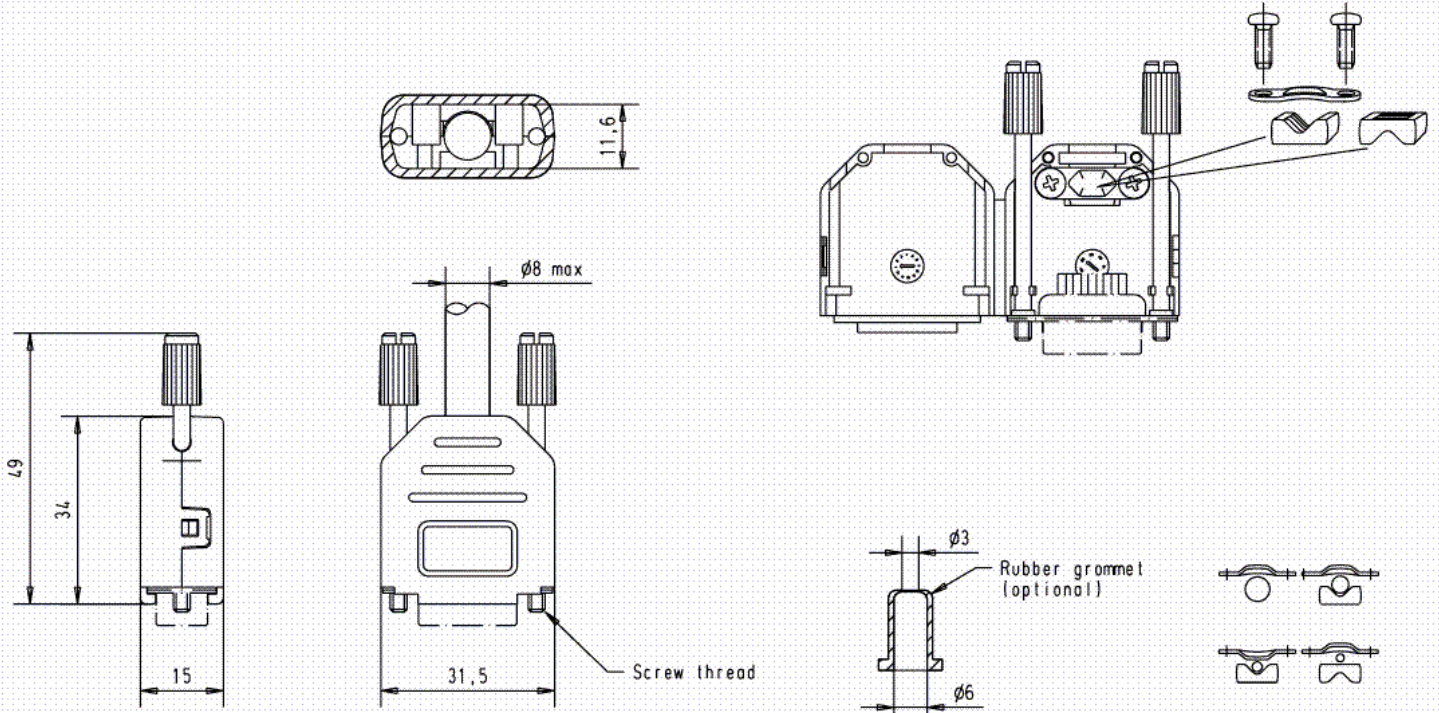


Alle Rechte vorbehalten / All rights reserved



| | | | | | | | | | | | | | | | | | | | | | |
|----------------|--------------|-------|-----------|------|---|-----------------------|-----------------------------|------|------|--------|-----------|----|-------|--|--|--------|--|--|--|--|-----------------------------------|
| | | | | | <table border="1"> <tr> <td></td> <td>Date</td> <td>Name</td> </tr> <tr> <td>Detail</td> <td>28-MAR-02</td> <td>CV</td> </tr> <tr> <td>Insp.</td> <td></td> <td></td> </tr> <tr> <td>Stand.</td> <td></td> <td></td> </tr> </table> | | | Date | Name | Detail | 28-MAR-02 | CV | Insp. | | | Stand. | | | <p>All Dim. in mm Orig. Size DIN A 4</p> | <p>D-Sub, Top entry hood with knurled screws 9 poles Thermoplastic block</p> | <p>Meßstab/ Scale 1:1</p> |
| | Date | Name | | | | | | | | | | | | | | | | | | | |
| Detail | 28-MAR-02 | CV | | | | | | | | | | | | | | | | | | | |
| Insp. | | | | | | | | | | | | | | | | | | | | | |
| Stand. | | | | | | | | | | | | | | | | | | | | | |
| 09 67 009 0426 | M3 | 31085 | 4-SEP-02 | CV | <p>HARTING EURL F-95972 Paris</p> | <p>TB 0967009042x</p> | <p>Blatt / Page 1 /</p> | | | | | | | | | | | | | | |
| 09 67 009 0424 | 4-40 UNC | 29760 | 28-MAR-02 | CV | | | | Sub. | | | | | | | | | | | | | |
| Part number | Screw thread | Mod. | Date | Name | | | | | | | | | | | | | | | | | |