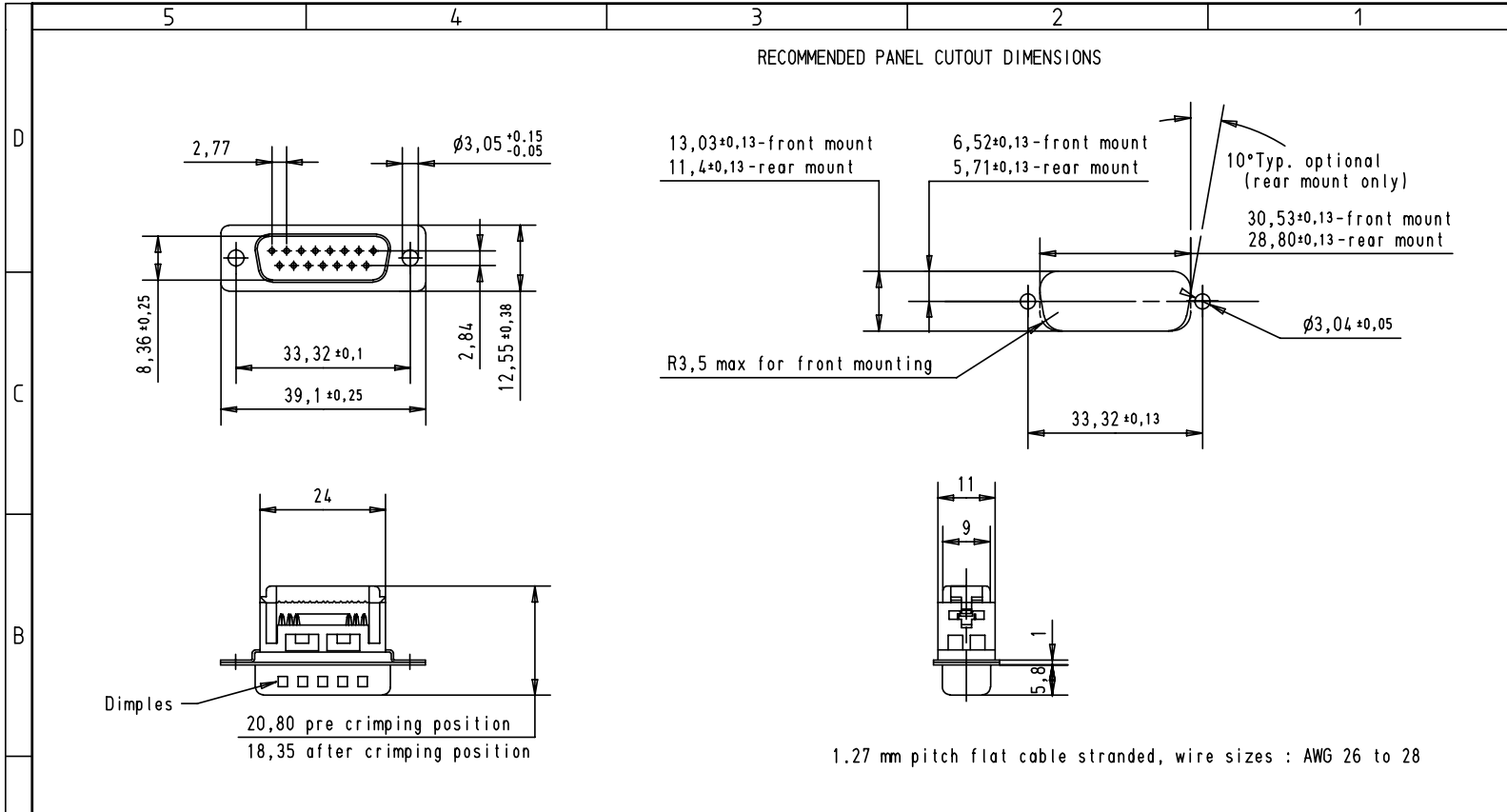


Alle Rechte vorbehalten/ All rights reserved



09 66 228 7700	15	3						Det.	Name	 All Dim. in mm Orig. Size DIN A 4	D-Sub male connector Insulation displacement termination through holes fixing	Maßstab/ Scale 1 : 1
09 66 228 6700	15	2					Detail.	03-JUL-01	SH			
09 66 228 5700	15	0.76 μ m Au					Insp.					
				29771	16-APR-02	CV	Stand.					
				29756	19-MAR-02	CV						
part number	No of contact	performance level		29692	03-JUL-01	SH		HARTING ELEKTRONIK F-95972 Paris			 Sub.	Blatt/ Page 1 /
				Mod.	Det.	Name						